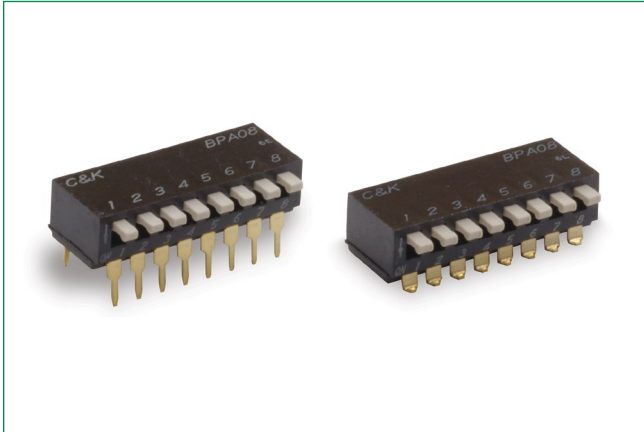


BPA Series

Side Actuated DIP Switches



Description

The BPA series side actuated DIP switch is perfect for industrial controls with address switches, logic switching applications typically seen in computers and peripherals, or function controlling in numerous applications. BPA switches are available in thru-hole or SMT model types and come with side actuated contacts and a high-pressure contact system that does not require tape seal for washing.

Features & Benefits

- Side actuated contacts
- Available in thru-hole or SMT models
- High pressure contact system does not require tape seal for washing
- RoHS compliant & compatible

Applications

- Address switch for industrial controls
- Logic switching for computers and peripherals
- Function controlling for numerous applications

Specifications

Switch Function	SPST - 1 through 10 and 12 position available
Contact Rating	100 mA max. @ 5 VDC or 25 mA max. @24 VDC

Mechanical Characteristics

Mechanical and Electrical Life	1,000 cycles min. @ 5 VDC 10mA
Contact Resistance	50 milliohms initial max.
Insulation Resistance	100 VDC 100 megohms min.
Dielectric Withstand Voltage	300 VAC for 1 minute

Environmental Characteristics

Storage Temperature	-40°C to 85°C
Operating Temperature	-20°C to 85°C
Operating Force	800 grams max.

Process

Solderability	Flow solderable and washable (soldering: 260°C for 10 sec. max.)
Packaging	Switches supplied in rigid dispensing tubes in full-tube quantities only, this may affect order quantity. Numbers of switches per tube varies with model. Tape and reel packaging available for SMT options.

Materials

Housing & Cover	PPS, color black (UV 94 V-0)
Actuator	PA-6T (UL 94 V-0)
Contacts	Beryllium Copper with Gold over Nickel plate
Terminals	Brass with Gold over Nickel plate

Note: Specifications and materials listed above are for switches with standard options. For information on specific and custom switches, consult Customer Service Center.

BPA Series

Side Actuated DIP Switches



Ordering Number

Our easy build-a-switch concept allows you to mix and match options to create the switch you need. To order, select desired option from each category and place it in the appropriate box. All switches supplied in "OFF" position.

BPAx - x - x - B - x

Number of Positions

BPA01: 1 position
BPA02: 2 positions
BPA03: 3 positions
BPA04: 4 positions
BPA05: 5 positions
BPA06: 6 positions
BPA07: 7 positions
BPA08: 8 positions
BPA09: 9 positions
BPA10: 10 positions
BPA12: 12 positions

On Position

None: Down
R: Up

Termination

None: PC
S: Gull wing

Packaging

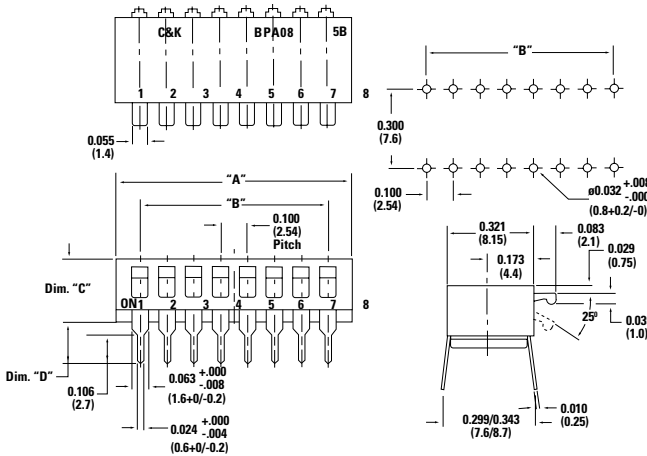
None: Tube
R: Tape and reel (surface mount only)

Contact Material

B: Gold over nickel plate

Side Actuator - Thru-hole Terminals

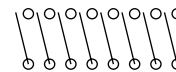
BPA08B



Note: (BPA01 only) DIM "C" = 6.7 mm; DIM "D" = 3.3 mm
 (Non BPA01) DIM "C" = 6 mm; DIM "D" = 4.0 mm

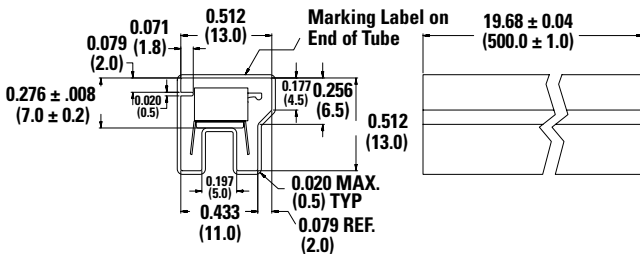
ROHS Part #	No. Pos.	DIM "A"	DIM "B"	Quantity per Tube
BPA01B	1	0.176 (4.48)	N/A	100
BPA02B	2	0.276 (7.0)	0.100 (2.54)	60
BPA03B	3	0.376 (9.6)	0.200 (5.08)	45
BPA04B	4	0.476 (12.1)	0.300 (7.62)	35
BPA05B	5	.575 (14.6)	0.400 (10.16)	30
BPA06B	6	0.677 (17.2)	0.500 (12.70)	25
BPA07B	7	0.776 (19.7)	0.600 (15.24)	20
BPA08B	8	0.878 (22.3)	0.700 (17.78)	20
BPA09B	9	0.976 (24.8)	0.800 (20.32)	15
BPA10B	10	1.075 (27.3)	0.900 (22.86)	15
BPA12B	12	1.280 (32.5)	1.100 (27.94)	14

Schematic SPST



Note: Reverse throw available, contact C&K for P/N and quote.

Tube Packaging

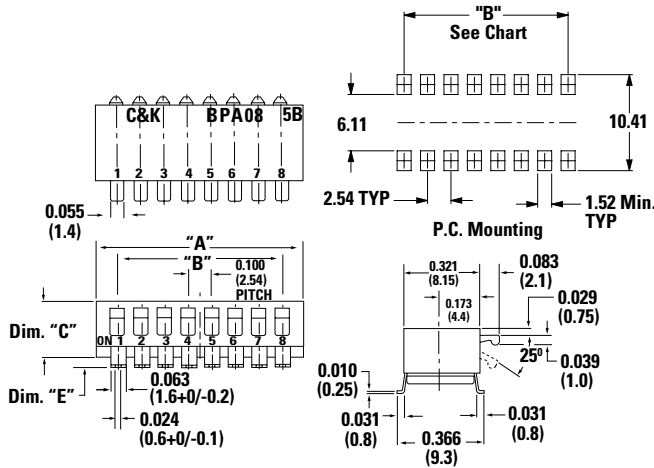


BPA Series

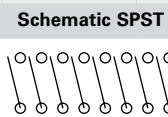
Side Actuated DIP Switches



Side Actuator - Surface Mount Terminals BPA08SB



ROHS Part #	No. Pos.	DIM "A"	DIM "B"	Quantity per Tube
BPA01SB	1	0.176 (4.48)	N/A	100
BPA02SB	2	0.276 (7.0)	0.100 (2.54)	60
BPA03SB	3	0.376 (9.6)	0.200 (5.08)	45
BPA04SB	4	0.476 (12.1)	0.300 (7.62)	35
BPA05SB	5	0.575 (14.6)	0.400 (10.16)	30
BPA06SB	6	0.677 (17.2)	0.500 (12.70)	25
BPA07SB	7	0.776 (19.7)	0.600 (15.24)	20
BPA08SB	8	0.878 (22.3)	0.700 (17.78)	20
BPA09SB	9	0.976 (24.8)	0.800 (20.32)	15
BPA10SB	10	1.075 (27.3)	0.900 (22.86)	15
BPA12SB	12	1.280 (32.5)	1.100 (27.94)	14



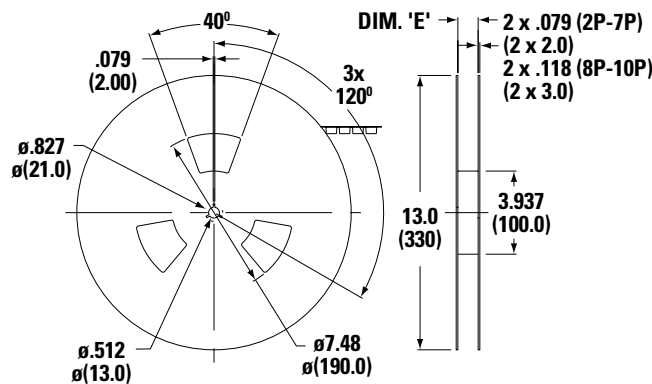
Note: (BPA01 only) DIM 'C' = 6.7 mm; DIM 'E' = 0.0-2.0 mm
(Non BPA01), DIM 'C' = 6.0mm; DIM 'E' = 0.85mm -1.05mm

Note: Tape and reel packaging available by adding "R" to end of project number.

Tape & Reel Packaging - Surface Mount Options Only

QTY/REEL	Poles	DIM 'A'	DIM 'B'	DIM 'C'	DIM 'D'	DIM 'E'
500	1	0.453 (11.5)	-	0.945 (24.0)	0.530 (13.45)	0.960 (24.4)
	2				0.311 (7.9)	
	3				0.409 (10.4)	
	4				0.508 (12.9)	
	5				0.606 (15.4)	
500	6	0.559 (14.2)	1.118 (28.4)	1.260 (32.0)	0.709 (18.0)	1.275 (32.4)
	7				0.807 (20.5)	
500	8	0.795 (20.2)	1.590 (40.4)	1.732 (44.0)	0.894 (22.7)	1.748 (44.4)
	9				1.004 (25.5)	
	10				1.106 (28.1)	
	12				1.311 (33.3)	

Note: For tape and reel packaging, add "R" to end of part number.

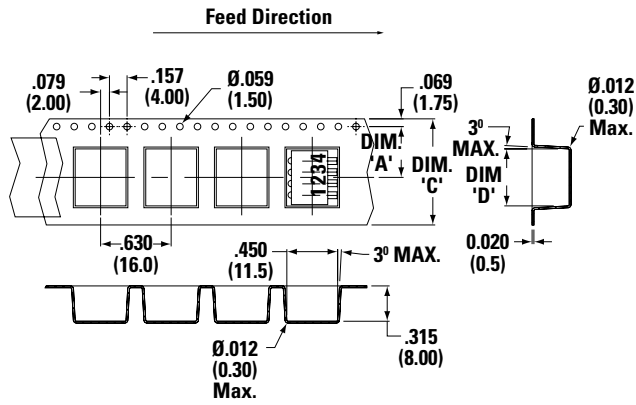


BPA Series

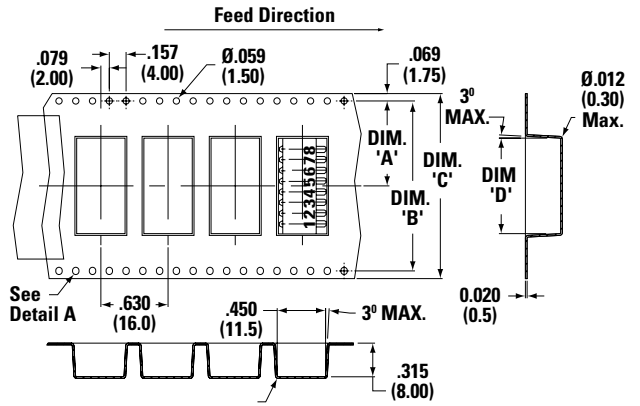
Side Actuated DIP Switches



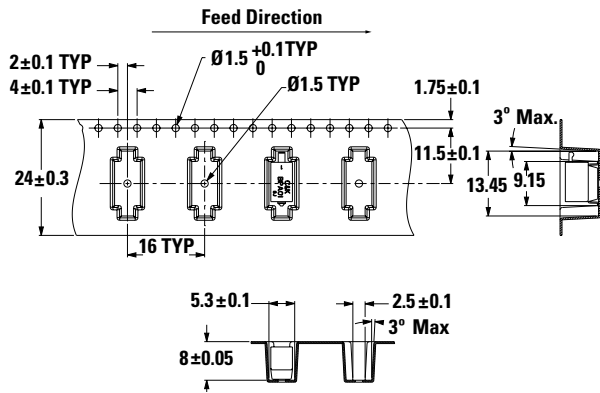
2, 3, 4 & 5 Positions



6, 7, 8, 9, 10 & 12 Positions



1 Position



Disclaimer Notice - Information furnished is believed to be accurate and reliable. However, users should independently evaluate the suitability of and test each product selected for their own applications. Littelfuse products are not designed for, and may not be used in, all applications. Read complete Disclaimer Notice at <http://www.littelfuse.com/disclaimer-electronics>.