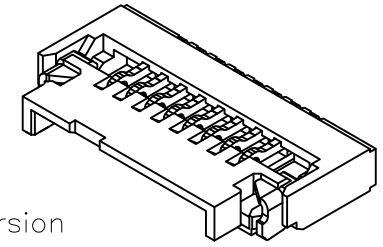


Material :

- * Base: High temperature plastic UL 94V-0, Color Nature
- * Cover: High temperature plastic UL 94V-0, Color Black
- * Contact: Phosphor Bronze
- * Fixed tab: Phosphor Bronze with $2.54\mu\text{m}(100\mu'')$ Min. Matte Tin Plated over $1.27\mu\text{m}(50\mu'')$ Min. Nickel

Ordering Code

CF35 ** * D 0 RD -NH
 ① ② ③ ④ ⑤ ⑥ ⑦

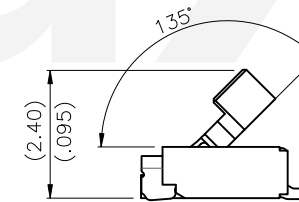
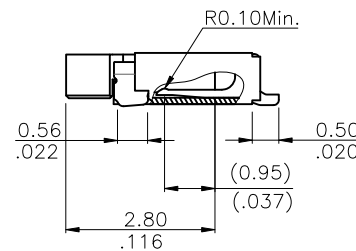
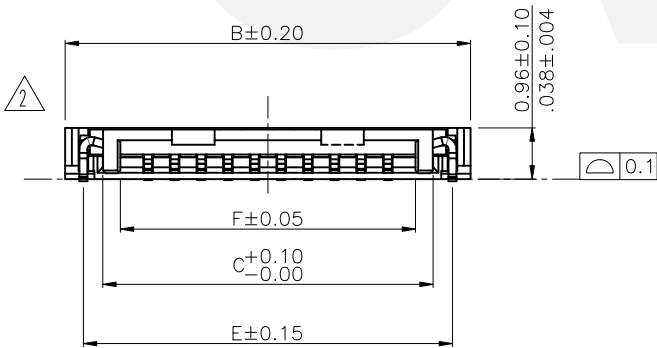
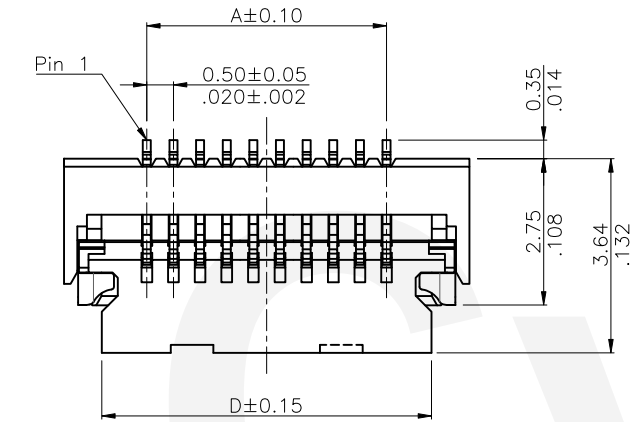


- ① Series No.
- ② No. of Circuits 4~30PIN Enhanced version
- ③ Plating code:

1 = $80\mu''\sim 120\mu''$ Matte Tin plated over , $50\mu''\sim 80\mu''$ Min. Nickel.
 2 = $0.03\mu\text{m}(1.2\mu'')$ Min. Gold Flash, $50\mu''\sim 80\mu''$ MIN Nickel Underplating.
 F = $0.03\mu\text{m}(1.2\mu'')$ Min. Gold Flash on Contact area and Solder tails, $1.27\mu\text{m}(50\mu'')$ Min. Nickel Underplating over all.

- ④ Contact style: D= Downside contact
- ⑤ 0= Color Nature
- ⑥ Packing: RD= Tape & Reel packing
- ⑦ -NH= For Lead Free IR Processed and Halogen Free

DIM A = $0.5 \times (\text{No. of Circuits} - 1)$
 DIM B = DIM A + 3.10
 DIM C = DIM A + 1.70
 DIM D = DIM A + 1.70
 DIM E = DIM A + 2.42
 DIM F = DIM A + 1.05



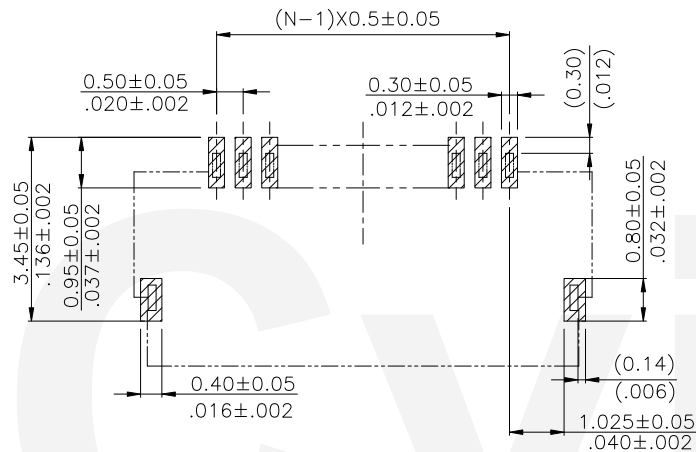
Halogen-Free

Lead Free Process

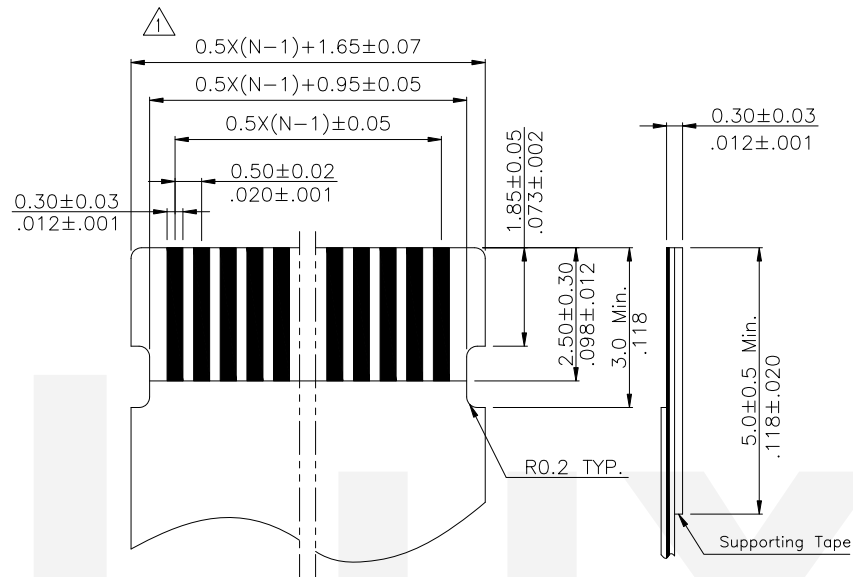
RoHS Compliant

④					DATE	UNIT: mm / inch	TITLE: 0.50mm(.020") ZIF FFC/FPC ONE-TOUCH CONNECTOR (Enhanced version)		瀚基股份有限公司 CviLux Corporation	
③					7/27-22'	TOLERANCE UNLESS OTHERWISE SPECIFIED	MATERIAL:			
②	Jessie	7/27-22'	ECRH122021/ECNT122111	ENGINEER:	Jessie	.X ± 0.20/008	.X' ±	FINISH:	DRAWING NO. CF3522SC	PART NO. CF35***DORD-NH
①	Sandy	10/15-20'	ECNT120249	CHECKED BY:	Sun	.XX ± 0.15/006	.X' ± 1'		SCALE 10 / 1	SHEET 1 OF 3
SYM	NAME	DATE	REVISIONS	APPROVED BY:	Eisley	.XXX ±	.XX' ±			

CIVILUX CORP
 2022.08.04
 ISSUED



Recommended P.C. Board Layout



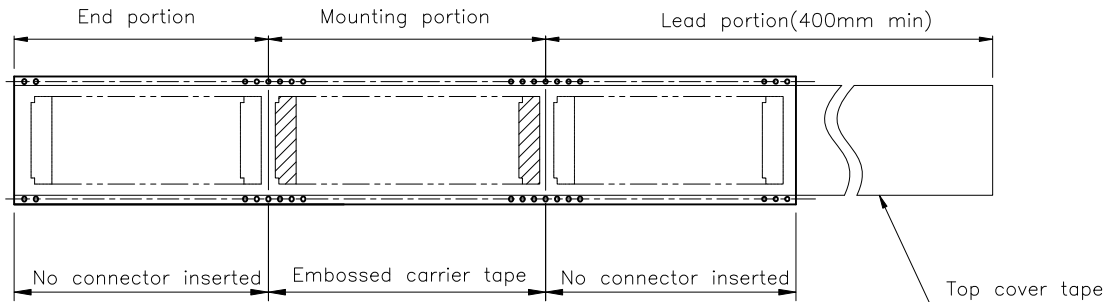
Accommodated FFC/FPC

Halogen-Free

Lead Free Process

RoHS Compliant

4																			
3																			
2	Jessie	7/27-22'	ECRH122021/ECNT122111	ENGINEER:	Sun	7/28-22'													
1	Sandy	10/15-20'	ECNT120249	CHECKED BY:	Eisley	8/1-22'													
SYM	NAME	DATE	REVISIONS	APPROVED BY:	Eisley	8/1-22'													
						UNIT: mm / inch TOLERANCE UNLESS OTHERWISE SPECIFIED .X ± 0.20/.008 X' ± .XX ± 0.15/.006 X' ± 1" .XXX ± .XX' ±		TITLE: 0.50mm(.020") ZIF FFC/FPC ONE-TOUCH CONNECTOR (Enhanced version) MATERIAL: FINISH:			瀚荃股份有限公司 CviLux Corporation								
		DRAWING NO. CF3522SC		PART NO. CF35***DORD-NH		SCALE 10 / 1		SHEET 2 OF 3											

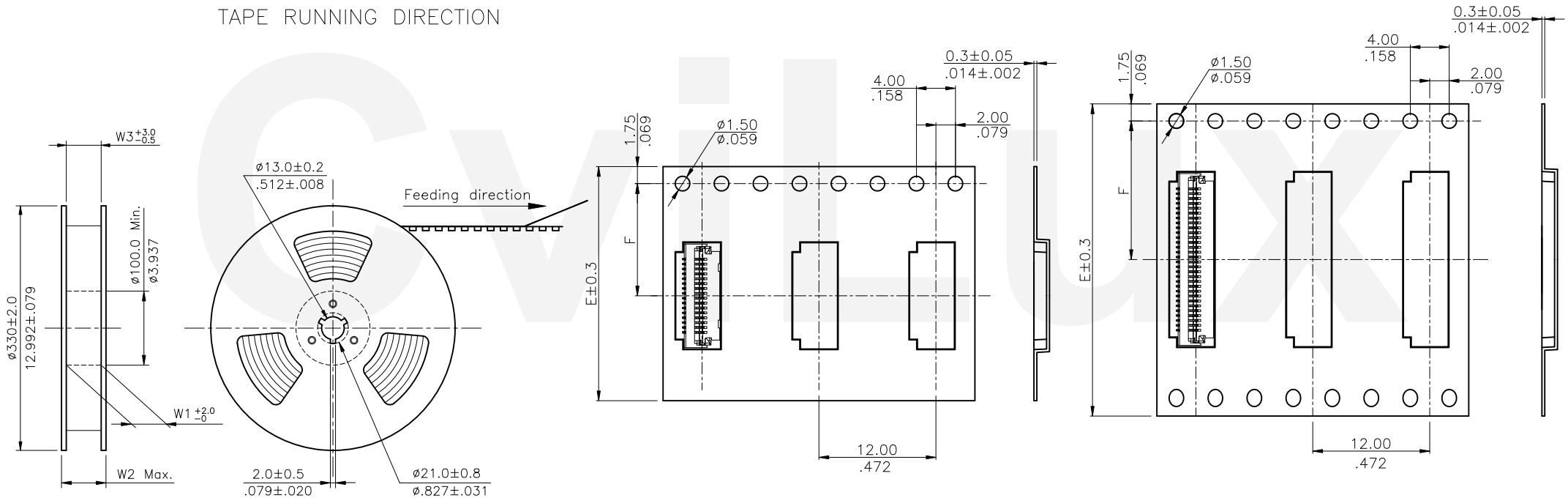


Notes:

1. 10 sprocket hole pitch cumulative tolerance ± 0.2
2. Camber not to exceed 1mm in 100mm.
3. Material: Polystyrene.
4. Pocket position relative to sprocket hole measured as true position of pocket, not pocked hole.
5. All dimensions meet EIA-481-B requirements.
6. Quantity: 3000 PCS/REEL

Circuits	Dimension					Packing (Reel/Carton)
	E	F	W1	W2	W3	
4-11	16.0(.630)	7.50(.295)	16.5(.650)	22.5(.885)	16.5(.650)	11
12-29	24.0(.945)	11.50(.453)	24.5(.965)	30.5(1.200)	24.5(.965)	9
30	32.0(1.260)	14.20(.559)	32.5(1.280)	38.5(1.516)	32.5(1.280)	7


TAPE RUNNING DIRECTION



WIDTH : 16,24 mm Carrier

WIDTH : 32 mm Carrier

RoHS Compliant

SYM	NAME	DATE	REVISIONS	APPROVED BY:	DATE	UNIT: mm / inch	TITLE: 0.50mm(.020") ZIF FFC/FPC ONE-TOUCH CONNECTOR (Enhanced version)	 瀚荃股份有限公司 CviLux Corporation
4						UNIT: mm / inch		
3						TOLERANCE UNLESS OTHERWISE SPECIFIED		
2	Jessie	7/27-22'	ECRH122021/ECNT122111	DRAWN BY: Jessie	7/27-22'	.X \pm 0.15/.006	MATERIAL:	DRAWING NO. CF3522SC
1	Sandy	10/15-20'	ECNT120249	ENGINEER: Sun	7/28-22'	.XX \pm 0.10/.004	FINISH:	PART NO. CF35***DORD-NH
				CHECKED BY: Eisley	8/1-22'	.XXX \pm		SCALE 10 / 1
				APPROVED BY: Eisley	8/1-22'			SHEET 3 OF 3

CVILUX CORP
2022.08.04
ISSUED