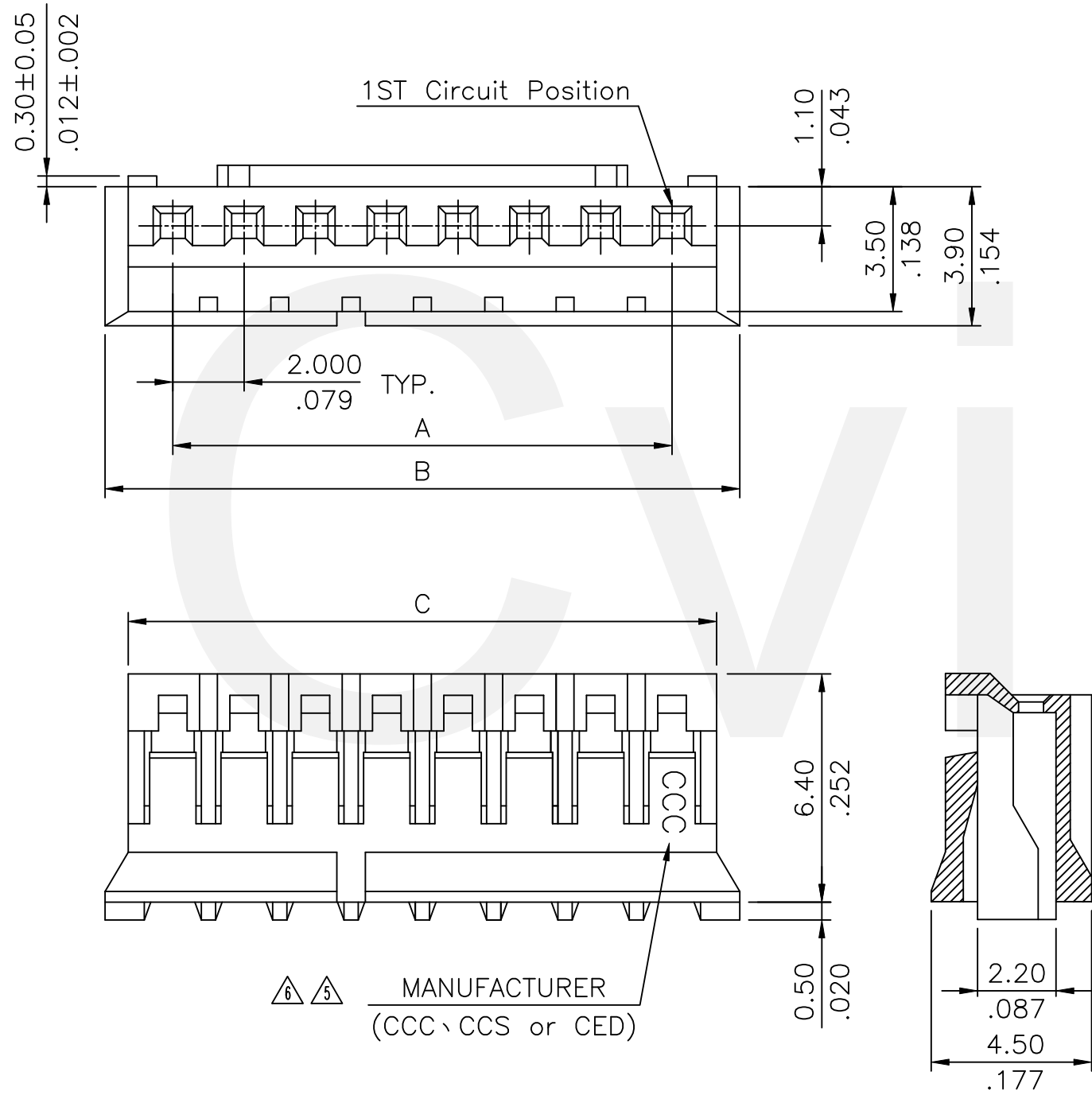


Material: Nylon 66 UL 94V-0




Ordering Code

CI01 ** S 00*0
 ① ② ③ ④

- ① Series No.
- ② No. of Circuits:
- ③ S= Connector housing
- ④ Color option: 0000= Nature Standard
 0010= Black
 0030= Red
 0050= Yellow
 0060= Green
 0070= Blue

Circuits	Dimension		
	A	B	C
2	2.00(.079)	5.8(.228)	4.50(.177)
3	4.00(.157)	7.8(.307)	6.50(.256)
4	6.00(.236)	9.8(.386)	8.50(.335)
5	8.00(.315)	11.8(.465)	10.50(.413)
6	10.00(.394)	13.8(.543)	12.50(.492)
7	12.00(.472)	15.8(.622)	14.50(.571)
8	14.00(.551)	17.8(.701)	16.50(.650)
9	16.00(.630)	19.8(.780)	18.50(.728)
10	18.00(.709)	21.8(.858)	20.50(.807)
11	20.00(.787)	23.8(.937)	22.50(.886)
12	22.00(.866)	25.8(1.016)	24.50(.965)
13	24.00(.945)	27.8(1.094)	26.50(1.043)
14	26.00(1.024)	29.8(1.173)	28.50(1.122)
15	28.00(1.102)	31.8(1.252)	30.50(1.201)
16	30.00(1.181)	33.8(1.330)	32.50(1.280)

Halogen-Free
 RoHS Compliant

⑥	Karen	10/31-23'	ECNT123235/ECRB123045		DATE	UNIT: mm / inch	TITLE: 2.00MM(.079") CRIMP TERMINAL HOUSING	 瀚荃股份有限公司 CviLux Corporation
⑤	Sun	9/21-11'	ECN11202	DRAWN BY: Karen	10/31-23'	TOLERANCE UNLESS OTHERWISE SPECIFIED	MATERIAL:	
④	Sun	10/26-06'	ECN06394	ENGINEER: Sun	10/31-23'	.X ± 0.30/.012 X' ± 1"	FINISH:	DRAWING NO. CI0101SM PART NO. CI01**S00*0
③	Sandy	12/01-05'	ECN05319	CHECKED BY: Eisley	10/31-23'	.XX ± 0.20/.008 .X' ±	SCALE 4 / 1	SHEET 1 OF 1
SYM	NAME	DATE	REVISIONS	APPROVED BY: Eisley	10/31-23'	.XXX ± 0.10/.004 .XX' ±		

CviLux Corp
 2023/11/03
 ISSUED