

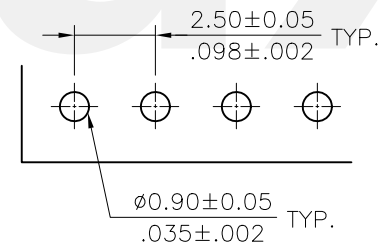
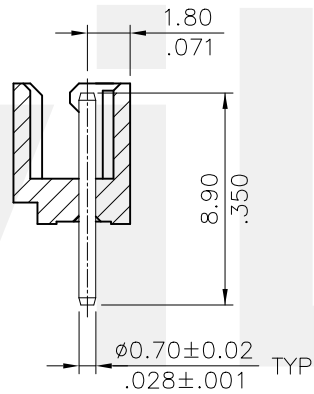
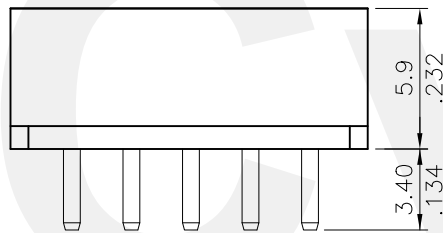
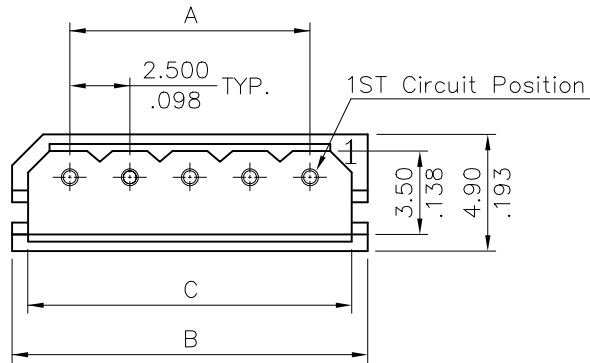
Notes:

- * Insulation: Nylon 6T+30% G.F. UL 94V-0, Color Nature (Halogen-Free)
- * Contact: Brass, round pins
- * For Lead Free Wave flow Process

Ordering Code:

CI25 ** P 1 V 0 0 -NH
 ① ② ③ ④ ⑤ ⑥ ⑦ ⑧

- ① Series No.
- ② No. of Circuits
- ③ Contact type: P= Pin header
- ④ Plating option:
 1= 3.05 μ m(120 μ) Matte Tin over 0.76 μ m(30 μ) Nickel
- ⑤ Tail Style: V= Straight
- ⑥ Color: 0=Nature
- ⑦ Other Option: 0= Standard
- ⑧ -NH= For Lead Free Wave flow Process and Halogen-Free




DIM. A = 2.50 X No. of Spaces
 DIM. B = DIM. A + 5.00
 DIM. C = DIM. A + 3.60
 * Available in 2 through 15 Citcuits

Recommended P.C. Board Layout

Halogen-Free

Lead Free Process

RoHS Compliant

4					DATE	UNIT: mm / inch	TITLE: 2.50MM(.098") STRAIGHT HEADERS	 瀚荃股份有限公司 CviLux Corporation	
3				DRAWN BY: Karen	4/23-14'	TOLERANCE UNLESS OTHERWISE SPECIFIED	MATERIAL:		
2				ENGINEER: Sun	4/23-14'	.X ± 0.30/.012 X' ± 1'			
1				CHECKED BY: Eisley	4/23-14'	.XX ± 0.20/.010 .X' ±	FINISH:		
SYM	NAME	DATE	REVISIONS	APPROVED BY: David	4/23-14'	.XXX ± 0.10/0.04 .XX' ±			
								DRAWING NO. CI2531SA	PART NO. CI25**P1V00-NH
								SCALE 3 / 1	SHEET 1 OF 1

