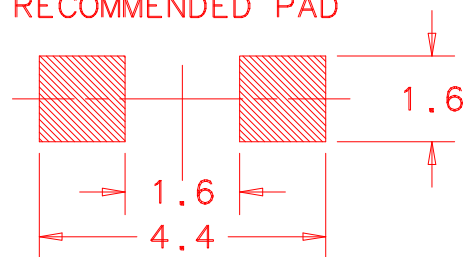
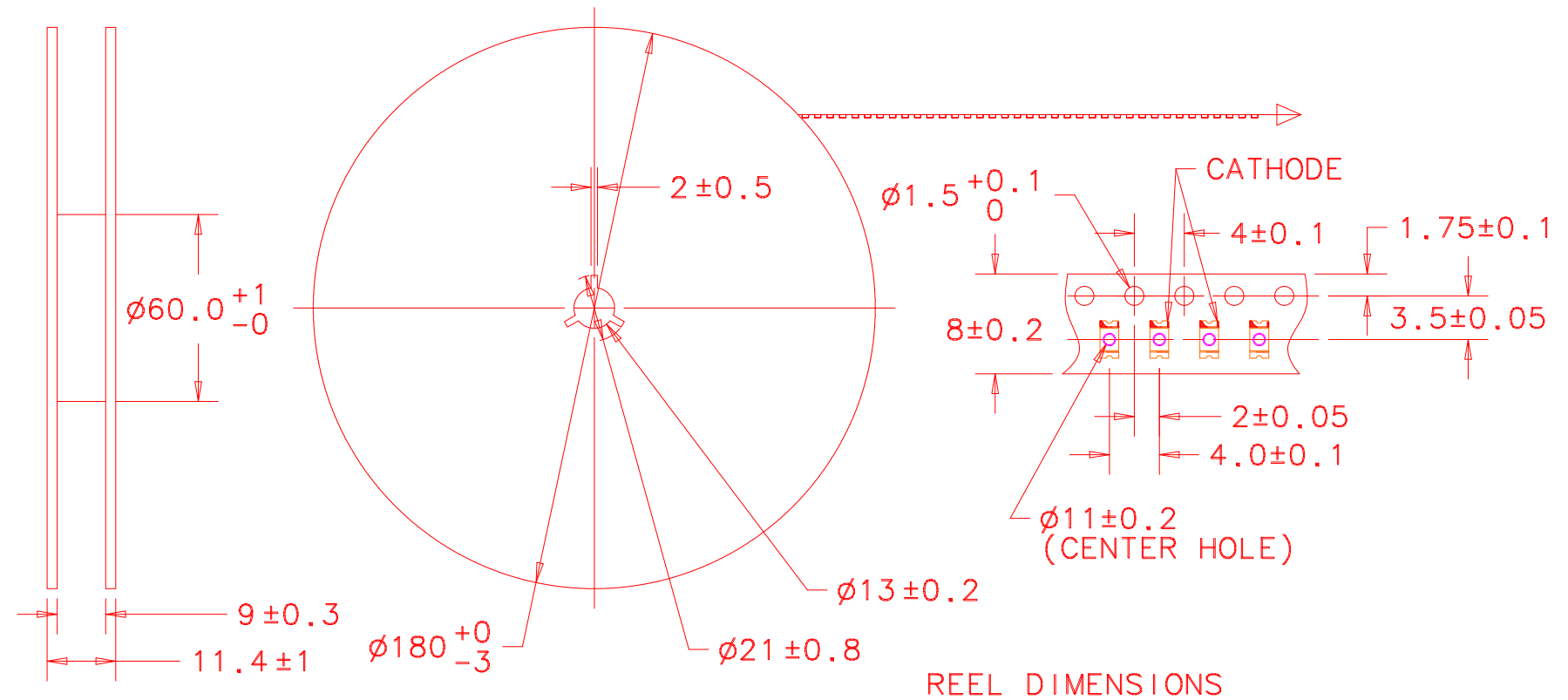


RECOMMENDED PAD



SDRC FILE NAME: B17147

REVISIONS			
REV	ECR NO	DESCRIPTION	DATE
A	20318	NEW RELEASE	
B	20628	REMOVED VENDOR No'S.	6/25/01



DIM ARE IN MILLIMETERS		<input type="checkbox"/> FOR INSPECTION USE ONLY <input checked="" type="checkbox"/> SPC DOCUMENTATION REQ. (X R CHARTS)	
THIS DWG IS THE PROPERTY OF CHICAGO MINIATURE LAMP, INC AND IS PROPRIETARY IN GENERAL AND IN DETAIL. IT SHALL NOT BE COPIED OR ITS CONTENTS REVEALED TO OUTSIDE PARTIES WITHOUT THE WRITTEN CONSENT OF CHICAGO MINIATURE LAMP, INC	DRAWN BY R.HANES	DATE 4/16/01	PART NO
	CHECKED BY	DATE	MODEL NO
	ENG. APPRV.	DATE	MOLD NO
	UNLESS OTHERWISE SPECIFIED TOLERANCES ON: .XX ±0.25 .XXX ±0.25 ANGLE ± 1°		MATERIAL
CHICAGO MINIATURE LAMP, INC 147 CENTRAL AVE. HACKENSACK, NJ 07601		TITLE SURFACE MOUNT LED-RIGHT ANGLE	
DIST. v/s	DWG NO B17147	REV B	
SCALE NTS	SHEET 1 OF 2		

CMDA1CG7A1Z				CMDA1CY7A1Z				CMDA1AY7A1Z				CMDA1DR7A1Z				SPECIFICATIONS (T _a =25°C)				UNITS	
G	Y	Y	R	SPECIFICATIONS																	
N	N	N	N	OUTPUT COLOR																	
C	C	C	C	DIFFUSED/NON-DIFFUSED																	
20	20	20	20	PACKAGE COLOR																	
2.1	2.2	2.1	1.7	RATED CURRENT																mA	
2.5	2.5	2.5	2.0	FORWARD VOLTAGE TYP																V	
100	100	100	100	FORWARD VOLTAGE MAX																V	
4	4	4	4	REVERSE CURRENT MAX																μA	
6.0	3.0	12.0	12.0	REVERSE VOLTAGE MAX (I _R =100μA)																V	
12.0	6.0	24.0	33.6	LUMINOUS INTENSITY MIN																mcd	
560	580	570	660	LUMINOUS INTENSITY TYP																mcd	
567		572	647	WAVELENGTH PEAK TYP																nm	
75	75	75	60	DOMINANT WAVELENGTH																nm	
30	30	30	30	POWER DISSIPATION MAX																mW	
70	70	70	70	FORWARD CURRENT MAX																mA	
30	30	30	30	PEAK FORWARD CURRENT MAX(NOTE 2)																mA	
70	70	70	70	SPECTRAL LINE HALF WIDTH TYP																nm	
				VIEWING ANGLE																DEG	
				OPERATING TEMPERATURE																°C	
				STORAGE TEMPERATURE																°C	
				RANK A LUMINOUS INTENSITY																MIN MAX	mcd
				RANK B LUMINOUS INTENSITY																MIN MAX	mcd
				RANK C LUMINOUS INTENSITY																MIN MAX	mcd
				RANK D LUMINOUS INTENSITY																MIN MAX	mcd
				RANK E LUMINOUS INTENSITY																MIN MAX	mcd
				RANK F LUMINOUS INTENSITY																MIN MAX	mcd
				RANK G LUMINOUS INTENSITY																MIN MAX	mcd

REVISIONS			
REV	ECR NO	DESCRIPTION	DATE
A	20318	NEW RELEASE	
B	20628	REMOVED VENDOR No'S.	6/25/01

- NOTES:
- ALL DIMENSIONS ARE IN MM
 - PULSE WIDTH ≤ 1msec., DUTY ≤ 1/20
DERATE LINEARLY FROM 25°C
0.42mA/°C(DC), 0.93mA/°C(PULSE)
 - QUANTITY ON TAPE-2500 PCS/REEL
 - COVER TAPE ADHESIVE STRENGTH SHALL BE 30-60g
(ANGLE BETWEEN CARRIER TAPE AND COVER TAPE SHALL BE 10°)
THE TAPE SHALL BE SO SEALED THAT THE CONTAINED DEVICES WILL NOT COME OUT FROM THE TAPE WHEN IT IS BENT AT A RADIUS OF 15mm
 - NAME OF CHICAGO MINIATURE LAMP, INC., PART NUMBERS AND QUANTITY SHALL BE STATED ON THE BOX OR BAG. THERE SHALL BE NO REVERSED-ORIENTATION, NO UPSIDE DOWN PLACING, AND NO SIDE PLACING

SHIPPING INFORMATION

- LED'S SHALL BE SORTED INTO FIVE RANKS OF LUMINOUS INTENSITY
- RANK MARKING SHALL BE INDICATED IN THE SPACE OF LOT NO. ON THE PRODUCT LABEL.
- EACH SHIPPING LOT SHALL CONSIST OF MIXED RANKS AND THE QUANTITY OF EACH CAN NOT BE SPECIFIED

CML LED COLOR CODE
A-AMBER
O-ORANGE
C-CLEAR
R-RED
Y-YELLOW
G-GREEN
GY-GREEN/YELLOW
D-DIFFUSED
N-NON-DIFFUSED

SDRC FILE NAME: B17147

DIM ARE IN MILLIMETERS

THIS DWG IS THE PROPERTY OF CHICAGO MINIATURE LAMP, INC AND IS PROPRIETARY IN GENERAL AND IN DETAIL. IT SHALL NOT BE COPIED OR ITS CONTENTS REVEALED TO OUTSIDE PARTIES WITHOUT THE WRITTEN CONSENT OF CHICAGO MINIATURE LAMP, INC

Ⓞ FOR INSPECTION USE ONLY
Ⓧ SPC DOCUMENTATION REQ. (X R CHARTS)

DRAWN BY	DATE	PART NO	
R.HANES	4/16/01	MODEL NO	
CHECKED BY	DATE	MOLD NO	
ENG. APPRV.	DATE	MATERIAL	
UNLESS OTHERWISE SPECIFIED TOLERANCES ON:		FINISH	
.XX	±0.25		
.XXX	±0.25		
ANGLE	± 1°		



CHICAGO MINIATURE LAMP, INC
147 CENTRAL AVE. HACKENSACK, NJ 07601

TITLE: SURFACE MOUNT LED-
RIGHT ANGLE

DIST. v/s DWG NO B17147 REV B

SCALE NTS SHEET 2 OF 2