

CRE Series 10mm DIP Coded Rotary Switches



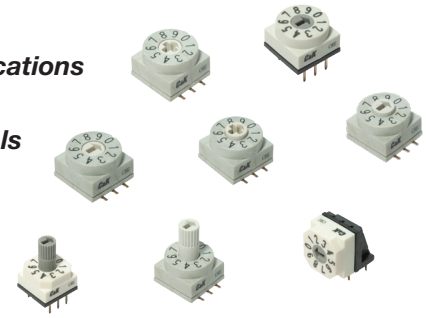
H
DIP

Features/Benefits

- **Process sealed – withstands soldering and cleaning**
- **Thru-hole and surface mount models**
- **New designs with different actuators**
- **RoHS compatible and compliant**
- **New generation price competitive**
- **IP65**

Typical Applications

- **Address switching applications**
- **Data storage devices**
- **Computer and peripherals**
- **Instrumentation**



Specifications

CONTACT RATING: 42 V DC 150mA (switching), 200mA (non-switching)

MECHANICAL & ELECTRICAL LIFE: 10,000 cycles

INITIAL CONTACT RESISTANCE: 200 mΩ max.

INSULATION RESISTANCE: 100 MΩ min.

OPERATING TEMPERATURE: -40°C to 85°C.

STORAGE TEMPERATURE: -40°C to 85°C.

OPERATING FORCE: 700 gf max.

SOLDER CONDITIONS:

- Straight and right-angle types: Iron soldering 2s/340°C, wave soldering 5s/280°C
- Through-hole and SMT types: Iron soldering 2s/340°C, wave soldering: 5s/280°C, reflow soldering 10s/260°C

SOLDERABILITY: Dip and look solderability testing per C&K spec #448

PACKAGING: Switches are supplied in rigid dispensing tubes in full-tube quantities only, this may affect order quantities. Number of switches per tube varies with model. Tape and reel packing also available with exception for the right-angle “A” type terminations.

Materials

COVER:

- Straight and right-angle types: Nylon#66 (G45%)
- Through-hole and SMT types: LCP (G30%)

BASE:

- Straight and right-angle types: Nylon#66 (G45%)
- Through-hole and SMT types: LCP (G30%)

ACTUATOR:

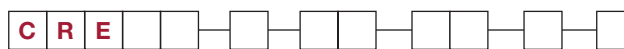
- Straight and right-angle types: Poly Acetal
- Through-hole and SMT types: Nylon#66 (G45%)

CONTACTS: Brass with Gold nickel plating

TERMINALS: Brass with Gold nickel plating

How To Order

The Build-A Switch concept allows you to mix and match options to create the switch you need. Below is a complete listing of options shown in catalog. To order, simply select desired option from each category and place in the appropriate box.



Number of positions

- 04** 4 position
- 06** 6 position
- 08** 8 position
- 10** 10 position
- 16** 16 position

Coding

- R** Real or BCD code
- C** Complement code

Shape of surface

- OT** Octagon Type
- RD** Round Type

Actuator

- M0** Flush, Screw type “->” [Slot Screw Drive Type]
- M1** Flush, Screw type “+” [Cross Screw Drive Type]
- L0** Extended, Screw type “->” [Slot Screw Drive Type]
- P0** Protrusion, Screw type “->” [Slot Screw Drive Type]
- P1** Protrusion, Screw type “+” [Cross Screw Drive Type]

Packaging

- (None)** Tube
- R** Tape & Reel
(Not available for termination type A & C)

Terminations

- A** Right Angle, PC Thru-hole
(Only available for actuator M0 & M1)
- C** PC Thru-hole
- S** Gull Wing

Remarks in Annotation



Third Angle
Projection



CRE Series 10mm DIP Coded Rotary Switches

CODING

DIP I

R Real Code

04 POSITION

		Real Code				
04 POSITION		C	1	2	4	8
0	0	•				
1	1	•	•			
2	2	•		•		
3	3	•			•	

06 POSITION

		Real Code				
06 POSITION		C	1	2	4	8
0	0	•				
1	1	•	•			
2	2	•		•		
3	3	•			•	
4	4	•				•
5	5	•	•	•		
6	6	•			•	
7	7	•				•

08 POSITION

		Real Code				
08 POSITION		C	1	2	4	8
0	0	•				
1	1	•	•			
2	2	•		•		
3	3	•			•	
4	4	•				•
5	5	•	•	•		
6	6	•			•	
7	7	•				•

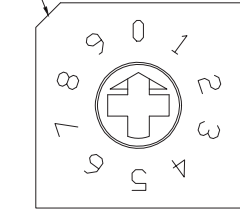
10 POSITION

		Real Code				
10 POSITION		C	1	2	4	8
0	0	•				
1	1	•	•			
2	2	•		•		
3	3	•			•	
4	4	•				•
5	5	•	•	•		
6	6	•			•	
7	7	•				•
8	8	•	•	•	•	
9	9	•				•

16 POSITION

		Real Code				
16 POSITION		C	1	2	4	8
0	0	•				
1	1	•	•			
2	2	•		•		
3	3	•			•	
4	4	•				•
5	5	•	•	•		
6	6	•			•	
7	7	•				•
8	8	•	•	•	•	
9	9	•				•
A	A	•	•	•	•	
B	B	•			•	
C	C	•				•
D	D	•	•	•	•	
E	E	•				•
F	F	•	•	•	•	

PIN 1 INDICATOR



C Complement Code

04 POSITION

		Complement Code				
04 POSITION		C	1	2	4	8
0	0		•	•	•	•
1	1	•		•	•	•
2	2	•	•		•	•
3	3	•	•	•		•

06 POSITION

		Complement Code				
06 POSITION		C	1	2	4	8
0	0		•	•	•	•
1	1	•		•	•	•
2	2	•	•		•	•
3	3	•	•	•		•
4	4	•			•	•
5	5	•	•	•	•	

08 POSITION

		Complement Code				
08 POSITION		C	1	2	4	8
0	0		•	•	•	•
1	1	•		•	•	•
2	2	•	•		•	•
3	3	•	•	•		•
4	4	•			•	•
5	5	•	•	•	•	
6	6	•			•	•
7	7	•	•	•	•	

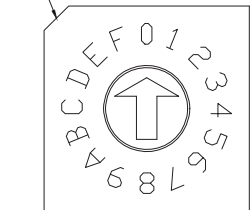
10 POSITION

		Complement Code				
10 POSITION		C	1	2	4	8
0	0		•	•	•	•
1	1	•		•	•	•
2	2	•	•		•	•
3	3	•	•	•		•
4	4	•			•	•
5	5	•	•	•	•	
6	6	•			•	•
7	7	•	•	•	•	
8	8	•	•	•	•	
9	9	•			•	•

16 POSITION

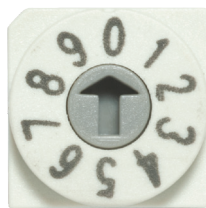
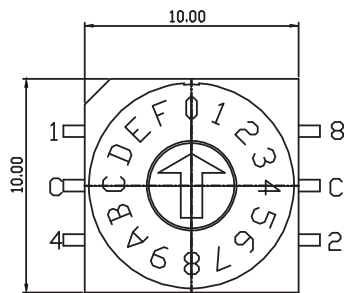
		Complement Code				
16 POSITION		C	1	2	4	8
0	0		•	•	•	•
1	1	•		•	•	•
2	2	•	•		•	•
3	3	•	•	•		•
4	4	•			•	•
5	5	•	•	•	•	
6	6	•			•	•
7	7	•	•	•	•	
8	8	•	•	•	•	
9	9	•			•	•
A	A	•	•	•	•	
B	B	•			•	
C	C	•				•
D	D	•	•	•	•	
E	E	•				•
F	F	•	•	•	•	

PIN 1 INDICATOR

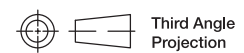
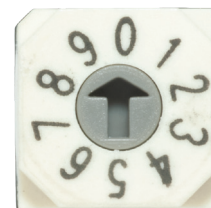
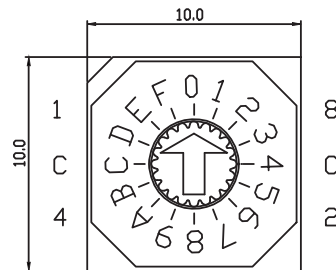


SHAPE OF SURFACE

RD Round Type



OT Octagon Type



Third Angle
Projection

CRE Series 10mm DIP Coded Rotary Switches

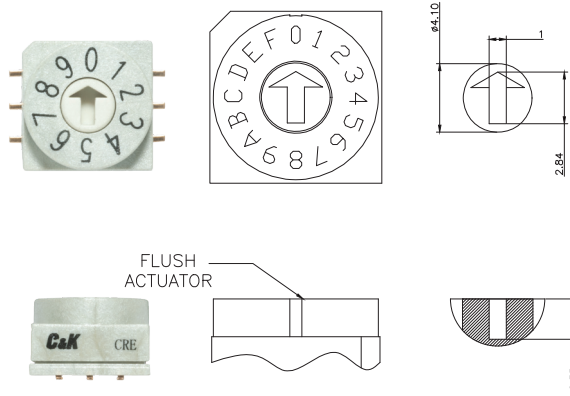


DIP

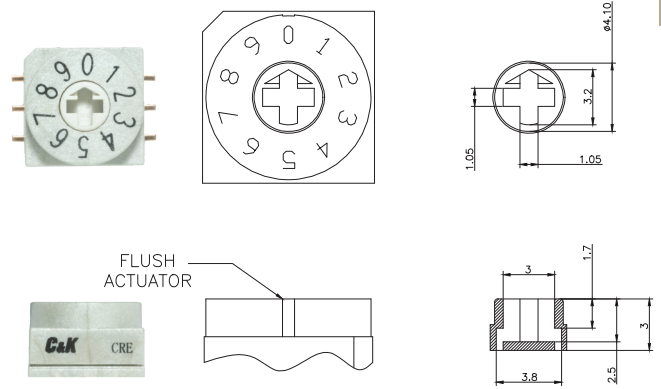
DIP

ACTUATOR

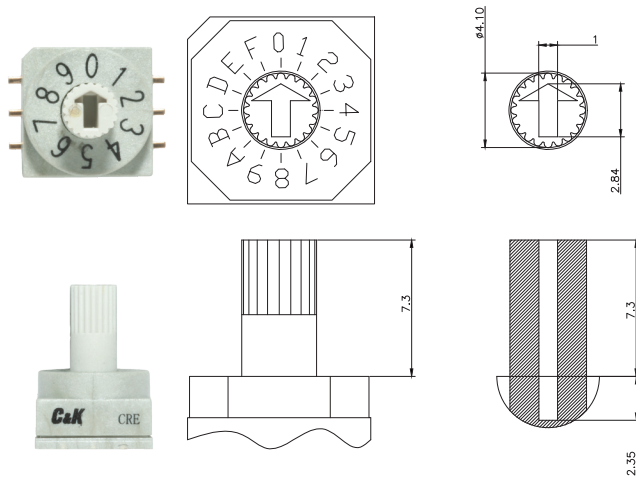
M0 Flush, Screw type “->”



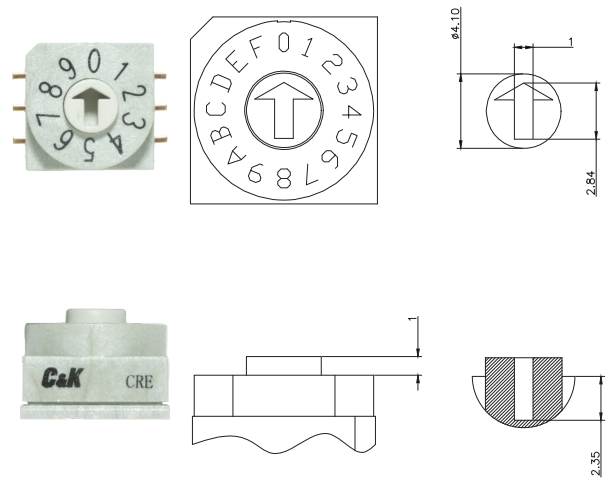
M1 Flush, Screw type “+”



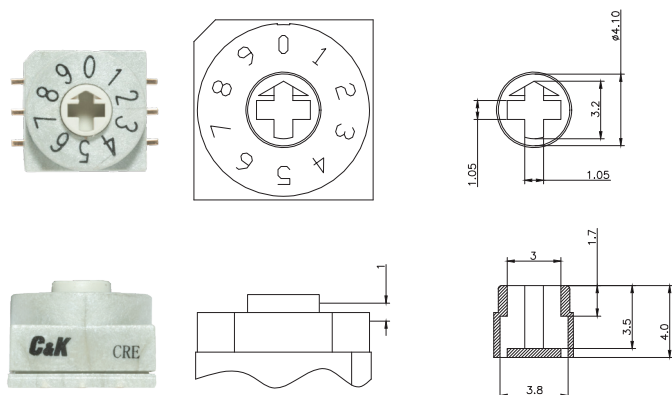
L0 Extended, Screw type “->”



P0 Protrusion, Screw type “->”



P1 Protrusion, Screw type “+”



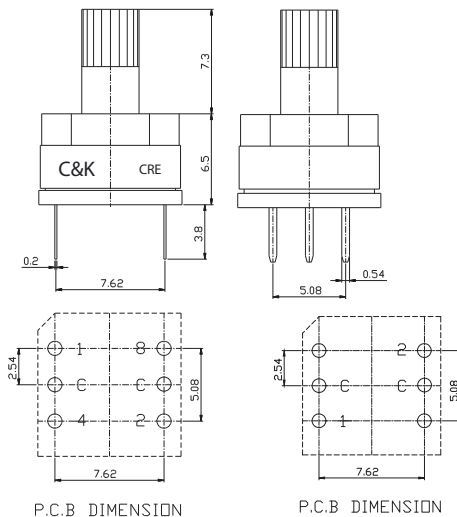
Third Angle
Projection

Dimensions are shown: Inch (mm)
Specifications and dimensions subject to change

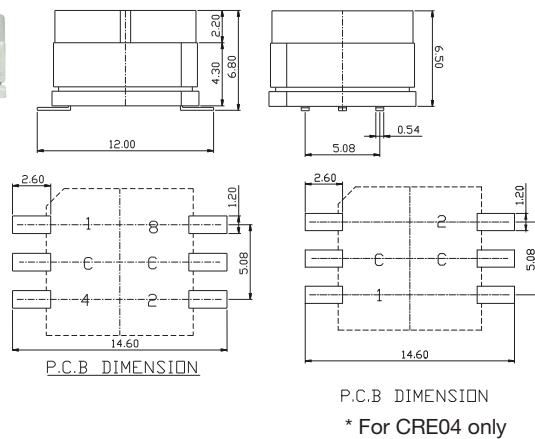
CRE Series 10mm DIP Coded Rotary Switches

TERMINATIONS

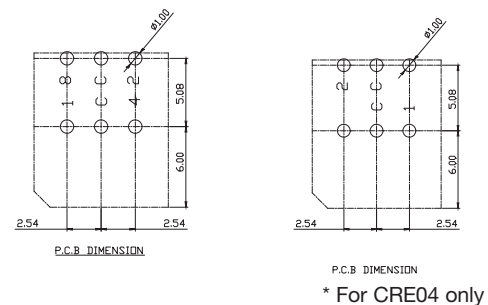
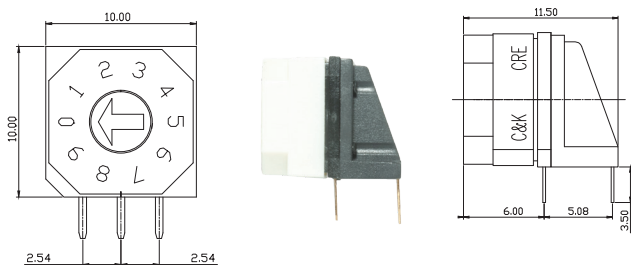
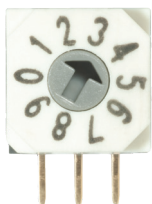
C PC Thru-hole



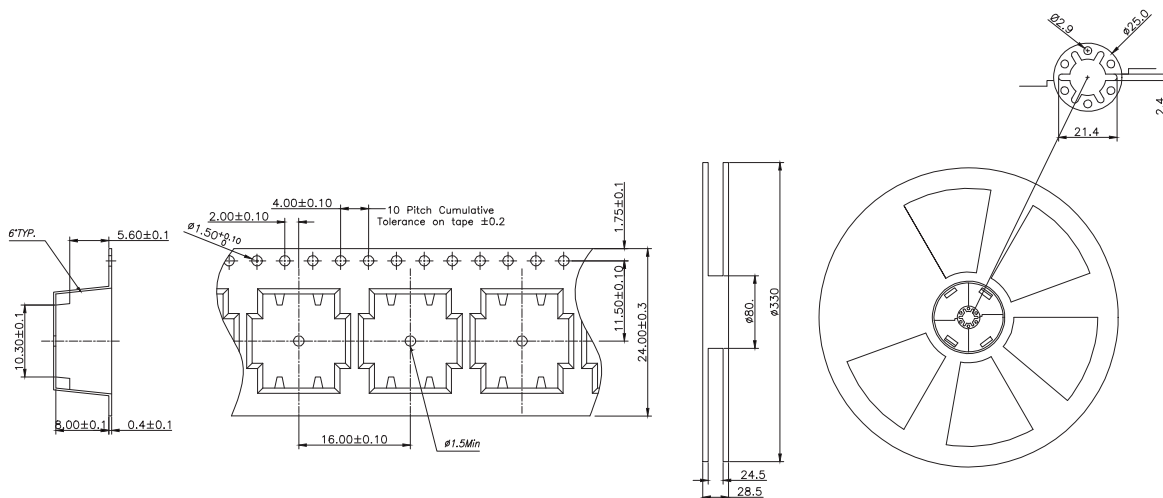
S Gull wing



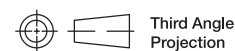
A Right Angle Thru-hole



TAPE & REEL



TAPE & REEL: 600 pcs



Third Angle
Projection

Dimensions are shown: Inch (mm)
Specifications and dimensions subject to change



3 Dec 21