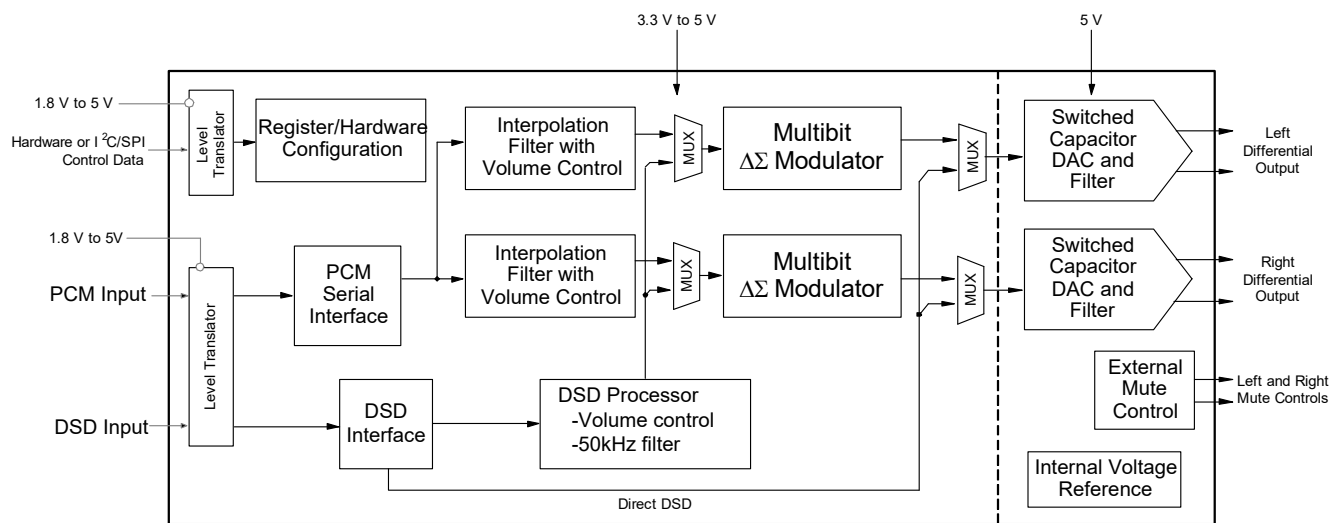


120-dB, 192-kHz Multibit DAC with Volume Control

Features

- ◆ Advanced Multibit Delta-Sigma Architecture
 - 120 dB Dynamic Range
 - -107 dB THD+N
 - Low Clock Jitter Sensitivity
 - Differential Analog Outputs
- ◆ PCM input
 - 102 dB of Stopband Attenuation
 - Supports Sample Rates up to 192 kHz
 - Accepts up to 24 bit Audio Data
 - Supports All Industry Standard Audio Interface Formats
 - Selectable Digital Filter Response
 - Volume Control with 1/2 dB Step Size and Soft Ramp
 - Flexible Channel Routing and Mixing
 - Selectable De-Emphasis
- ◆ Supports Stand-Alone or I²C/SPI™ Configuration
 - Embedded Level Translators
 - 1.8 V to 5 V Serial Audio Input
 - 1.8 V to 5 V Control Data Input
- ◆ Direct Stream Digital (DSD)
 - Dedicated DSD Input Pins
 - On-Chip 50 kHz Filter to Meet Scarlet Book SACD Recommendations
 - Matched PCM and DSD Analog Output Levels
 - Non-Decimating Volume Control with 1/2 dB Step Size and Soft Ramp
 - DSD Mute Detection
 - Supports Phase-Modulated Inputs
 - Optional Direct DSD Path to On-Chip Switched Capacitor Filter
- ◆ Control Output for External Muting
 - Independent Left and Right Mute Controls
 - Supports Auto Detection of Mute Output Polarity
- ◆ Typical Applications
 - DVD Players
 - SACD Players
 - A/V Receivers
 - Professional Audio Products



Stand-Alone Mode Features

- ◆ Selectable Oversampling Modes
 - 32 kHz to 54 kHz Sampling Rates
 - 50 kHz to 108 kHz Sampling Rates
 - 100 kHz to 216 kHz Sampling Rates
- ◆ Selectable Serial Audio Interface Formats
 - Left-Justified, up to 24 bit
 - I²S, up to 24 bit
 - Right-Justified 16 bit
 - Right-Justified 24 bit
- ◆ Auto Mute Output Polarity Detect
- ◆ Auto Mute on Static PCM Samples
- ◆ 44.1 kHz 50/15 μs De-Emphasis Available
- ◆ Soft Volume Ramp-up after Reset is Released

Control Port Mode Features

- ◆ Selectable Oversampling Modes
 - 32 kHz to 54 kHz Sampling Rates
 - 50 kHz to 108 kHz Sampling Rates
 - 100 kHz to 216 kHz Sampling Rates
- ◆ Selectable Serial Audio Interface Formats
 - Left-Justified, up to 24 bit
 - I²S, up to 24 bit
 - Right-Justified 16 bit
 - Right-Justified 18 bit
 - Right-Justified 20 bit
 - Right-Justified 24 bit

- ◆ Direct Stream Digital Mode
- ◆ Selectable Auto or Manual Mute Polarity
- ◆ Selectable Interpolation Filters
- ◆ Selectable 32, 44.1, and 48 kHz De-Emphasis
- ◆ Configurable ATAPI Mixing Functions
- ◆ Configurable Volume and Muting Controls

Description

The CS4398 is a complete stereo 24 bit/192 kHz digital-to-analog system. This D/A system includes digital de-emphasis, half dB step size volume control, ATAPI channel mixing, selectable fast and slow digital interpolation filters followed by an oversampled multi-bit delta-sigma modulator that includes mismatch shaping technology that eliminates distortion due to capacitor mismatch. Following this stage is a multi-element switched capacitor stage and low pass filter with differential analog outputs.

The CS4398 also has a proprietary DSD processor that allows for volume control and 50 kHz on-chip filtering without an intermediate decimation stage. It also offers an optional path for direct DSD conversion by directly using the multi-element switched capacitor array.

The CS4398 accepts PCM data at sample rates from 32 kHz to 216 kHz, DSD audio data, has selectable digital filters, consumes little power, and delivers excellent sound quality.

ORDERING INFORMATION

Product	Description	Package	Pb-Free	Grade	Temp Range	Container	Order #
CS4398	120 dB, 192 kHz Multi-Bit DAC with Volume Control	28-pin TSSOP	YES	Commercial	-10° to +70° C	Rail	CS4398-CZZ
						Tape & Reel	CS4398-CZZR
CDB4398	CS4398 Evaluation Board		-	-	-	-	CDB4398

TABLE OF CONTENTS

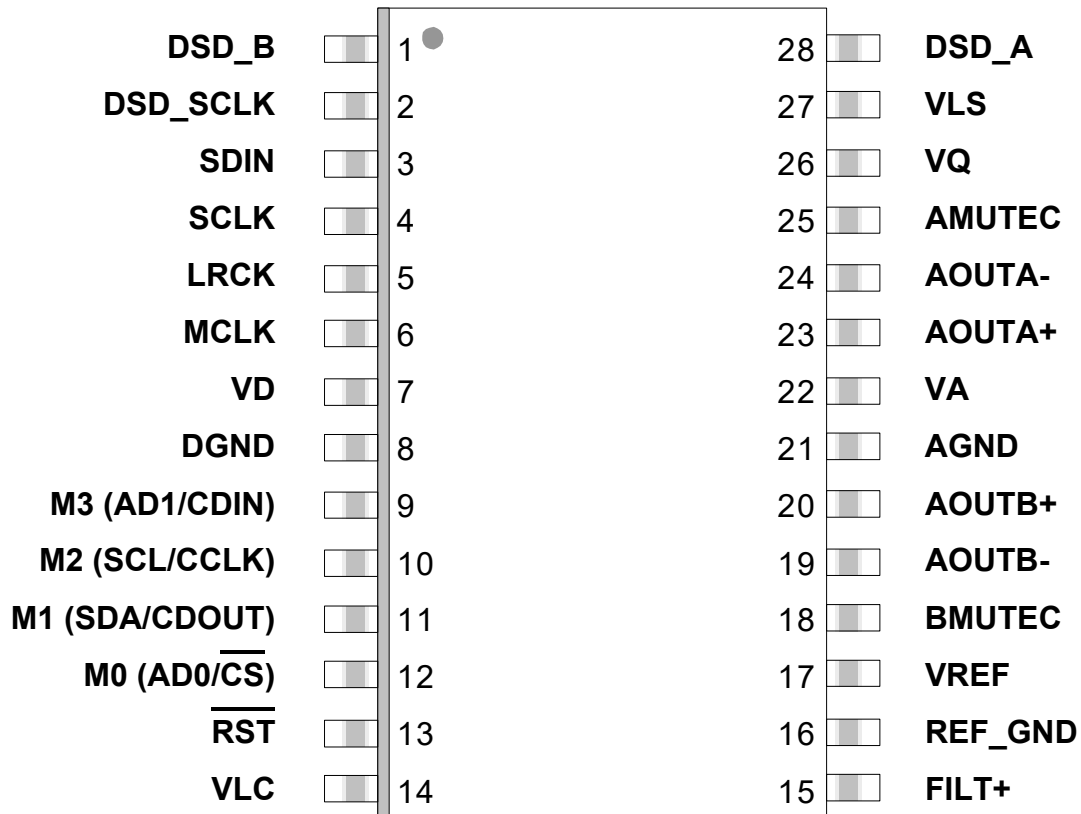
1. PINOUT DRAWING	6
2. CHARACTERISTICS AND SPECIFICATIONS	8
SPECIFIED OPERATING CONDITIONS	8
ABSOLUTE MAXIMUM RATINGS	8
ANALOG CHARACTERISTICS	9
COMBINED INTERPOLATION & ON-CHIP ANALOG FILTER RESPONSE	10
COMBINED INTERPOLATION & ON-CHIP ANALOG FILTER RESPONSE	11
DSD COMBINED DIGITAL & ON-CHIP ANALOG FILTER RESPONSE	11
SWITCHING CHARACTERISTICS	12
SWITCHING CHARACTERISTICS- DSD	14
SWITCHING CHARACTERISTICS- CONTROL PORT - I ² C FORMAT	15
SWITCHING CHARACTERISTICS- CONTROL PORT - SPI™ FORMAT	16
DC ELECTRICAL CHARACTERISTICS	17
DIGITAL INTERFACE SPECIFICATIONS	18
3. TYPICAL CONNECTION DIAGRAM	19
4. APPLICATIONS	20
4.1 Grounding and Power Supply Decoupling	20
4.2 Analog Output and Filtering	20
4.3 The MUTE _C Outputs	20
4.4 Oversampling Modes	21
4.5 Master and Serial Clock Ratios	21
4.6 Stand-Alone Mode Settings	22
4.7 Control Port Mode	23
5. CONTROL PORT INTERFACE	25
5.1 Memory Address Pointer (MAP)	25
5.2 Enabling the Control Port	25
5.3 Format Selection	25
5.4 I ² C Format	25
5.5 SPI Format	26
7.1 Chip ID - Register 01h	29
7.2 Mode Control 1 - Register 02h	29
7.3 Volume Mixing and Inversion Control - Register 03h	30
7.4 Mute Control - Register 04h	33
7.5 Channel A Volume Control - Register 05h	34
7.6 Channel B Volume Control - Register 06h	34
7.7 Ramp and Filter Control - Register 07h	35
7.8 Misc. Control - Register 08h	37
7.9 Misc. Control - Register 09h	38
8. PARAMETER DEFINITIONS	39
9. REFERENCES	39
10. PACKAGE DIMENSIONS	40
10.1 28-TSSOP	40
THERMAL CHARACTERISTICS AND SPECIFICATIONS	40
11. APPENDIX	41

LIST OF FIGURES

Figure 1. Pinout Drawing —TSSOP	6
Figure 2. Serial Mode Input Timing	12
Figure 3. Format 0 - Left-Justified up to 24-bit Data	13
Figure 4. Format 1 - I ² S up to 24-bit Data	13
Figure 5. Format 2, Right-Justified 16-Bit Data. Format 3, Right-Justified 24-Bit Data. Format 4, Right-Justified 20-Bit Data. (Available in Control Port Mode only) Format 5, Right-Justified 18-Bit Data. (Available in Control Port Mode only)	13
Figure 6. Direct Stream Digital - Serial Audio Input Timing.....	14
Figure 7. Direct Stream Digital - Serial Audio Input Timing for Phase Modulation Mode.....	14
Figure 8. Control Port Timing - I ² C Format.....	15
Figure 9. Control Port Timing - SPI Format (Read/Write)	16
Figure 10. Typical Connection Diagram.....	19
Figure 11. Recommended Output Filter.....	20
Figure 12. Recommended Mute Circuitry	21
Figure 13. DSD Phase Modulation Mode Diagram	24
Figure 14. Control Port Timing, I ² C Format.....	26
Figure 15. Control Port Timing, SPI Format (Write).....	27
Figure 16. Control Port Timing, SPI Format (Read).....	27
Figure 17. De-Emphasis Curve.....	30
Figure 18. ATAPI Block Diagram	31
Figure 19. 28L TSSOP (4.4 mm Body) Package Drawing	40
Figure 20. Single-Speed (fast) Stopband Rejection.....	41
Figure 21. Single-Speed (fast) Transition Band	41
Figure 22. Single-Speed (fast) Transition Band (detail).....	41
Figure 23. Single-Speed (fast) Passband Ripple	41
Figure 24. Single-Speed (slow) Stopband Rejection	41
Figure 25. Single-Speed (slow) Transition Band.....	41
Figure 26. Single-Speed (slow) Transition Band (detail).....	42
Figure 27. Single-Speed (slow) Passband Ripple.....	42
Figure 28. Double-Speed (fast) Stopband Rejection	42
Figure 29. Double-Speed (fast) Transition Band.....	42
Figure 30. Double-Speed (fast) Transition Band (detail).....	42
Figure 31. Double-Speed (fast) Passband Ripple.....	42
Figure 32. Double-Speed (slow) Stopband Rejection	43
Figure 33. Double-Speed (slow) Transition Band	43
Figure 34. Double-Speed (slow) Transition Band (detail)	43
Figure 35. Double-Speed (slow) Passband Ripple	43
Figure 36. Quad-Speed (fast) Stopband Rejection	43
Figure 37. Quad-Speed (fast) Transition Band	43
Figure 38. Quad-Speed (fast) Transition Band (detail)	44
Figure 39. Quad-Speed (fast) Passband Ripple	44
Figure 40. Quad-Speed (slow) Stopband Rejection.....	44
Figure 41. Quad-Speed (slow) Transition Band.....	44
Figure 42. Quad-Speed (slow) Transition Band (detail).....	44
Figure 43. Quad-Speed (slow) Passband Ripple.....	44

LIST OF TABLES

Table 1. Clock Ratios	21
Table 2. Common Clock Frequencies.....	22
Table 3. Digital Interface Format, Stand-Alone Mode Options.....	22
Table 4. Mode Selection, Stand-Alone Mode Options	22
Table 5. Digital Interface Formats - PCM Mode.....	29
Table 6. Digital Interface Formats - DSD Mode	30
Table 7. Example Digital Volume Settings	34
Table 8. Revision Table	45

1. PINOUT DRAWING

Figure 1. Pinout Drawing —TSSOP

Pin Name	TSSOP Pin #	Pin Description
DSD_A DSD_B	28 1	Direct Stream Digital Input (Input) - Input for Direct Stream Digital serial audio data.
DSD_SCLK	2	DSD Serial Clock (Input) - Serial clock for the Direct Stream Digital audio interface.
SDIN	3	Serial Audio Data Input (Input) - Input for two's complement serial audio data.
SCLK	4	Serial Clock (Input) - Serial clock for the serial audio interface.
LRCK	5	Left Right Clock (Input) - Determines which channel, Left or Right, is currently active on the serial audio data line.
MCLK	6	Master Clock (Input) - Clock source for the delta-sigma modulator and digital filters.
VD	7	Digital Power (Input) - Positive power for the digital section.
DGND	8	Digital Ground (Input) - Ground reference for the digital section.
$\overline{\text{RST}}$	13	Reset (Input) - The device enters system reset when enabled.
VLC	14	Control Port Power (Input) - Positive power for Control Port I/O.
FILT+	15	Positive Voltage Reference (Output) - Positive reference voltage for the internal sampling circuits.
REF_GND	16	Reference Ground (Input) - Ground reference for the internal sampling circuits.
VREF	17	Voltage Reference (Input) - Positive voltage reference for internal sampling circuits.
BMUTECL AMUTECL	18 25	Mute Control (Output) - The Mute Control pin is active during power-up initialization, muting, power-down or if the master clock to left/right clock frequency ratio is incorrect. During reset, these outputs are set to a high impedance.
AOUTB+ AOUTB-	20 19	Differential Right Channel Analog Output (Output) - The full-scale differential analog output level is specified in the Analog Characteristics specification table.
AGND	21	Analog Ground (Input) - Ground reference for the analog section.
VA	22	Analog Power (Input) - Positive power for the analog section.
AOUTA+ AOUTA-	23 24	Differential Left Channel Analog Output (Output) - The full-scale differential analog output level is specified in the Analog Characteristics specification table.
VQ	26	Quiescent Voltage (Output) - Filter connection for internal quiescent voltage.
VLS	27	Serial Audio Interface Power (Input) - Positive power for serial audio interface I/O.
Stand-Alone Mode Definitions		
M3	9	Mode Selection (Input) - Determines the operational mode of the device.
M2	10	
M1	11	
M0	12	
Control Port Mode Definitions		
AD1/CDIN	9	Address Bit 1 (I²C) / Control Data Input (SPI) (Input) - AD1 is a chip address pin in I ² C mode; CDIN is the input data line for the Control Port interface in SPI mode.
SCL/CCLK	10	Serial Control Port Clock (Input) - Serial clock for the serial Control Port.
SDA/CDOUT	11	Serial Control Data (I²C) / Control Data Output (SPI) (Input/Output) - SDA is a data I/O line in I ² C mode. CDOUT is the output data line for the Control Port interface in SPI mode.
AD0/ $\overline{\text{CS}}$	12	Address Bit 0 (I²C) / Control Port Chip Select (SPI) (Input) - AD0 is a chip address pin in I ² C mode; CS is the chip select signal for SPI format.

2. CHARACTERISTICS AND SPECIFICATIONS

(Min/Max performance characteristics and specifications are guaranteed over the Specified Operating Conditions. Typical performance characteristics are derived from measurements taken at $T_A = 25\text{ }^\circ\text{C}$, $V_A = 5.0\text{ V}$, $V_D = 3.3\text{ V}$.)

SPECIFIED OPERATING CONDITIONS

(AGND = 0 V; all voltages with respect to ground.)

Parameters		Symbol	Min	Typ	Max	Units
DC Power Supply	Analog power	VA	4.75	5.0	5.25	V
	Voltage reference	VREF	4.75	5.0	5.25	V
	Digital power	VD	3.1	3.3	5.25	V
	Serial audio interface power	VLS	1.7	3.3	5.25	V
	Control port interface power	VLC	1.7	3.3	5.25	V
Specified Temperature Range	-CZ & -CZZ	T_A	-10	-	70	$^\circ\text{C}$

ABSOLUTE MAXIMUM RATINGS

(AGND = 0 V; all voltages with respect to ground.)

Parameters		Symbol	Min	Max	Units
DC Power Supply	Analog power	VA	-0.3	6.0	V
	Voltage reference	VREF	-0.3	6.0	V
	Digital power	VD	-0.3	6.0	V
	Serial audio interface power	VLS	-0.3	6.0	V
	Control port interface power	VLC	-0.3	6.0	V
Input Current	any pin except supplies	I_{in}	-	± 10	mA
Digital Input Voltage	Serial audio interface	V_{IN-LS}	-0.3	$V_{LS} + 0.4$	V
	Control port interface	V_{IN-LC}	-0.3	$V_{LC} + 0.4$	V
Ambient Operating Temperature (power applied)		T_A	-55	125	$^\circ\text{C}$
Storage Temperature		T_{stg}	-65	150	$^\circ\text{C}$

WARNING: Operation at or beyond these limits may result in permanent damage to the device. Normal operation is not guaranteed at these extremes.

ANALOG CHARACTERISTICS

(Test conditions (unless otherwise specified): Input test signal is a 997 Hz sine wave at 0 dBFS; measurement bandwidth is 10 Hz to 20 kHz; test load $R_L = 1\text{ k}\Omega$, $C_L = 10\text{ pF}$.)

Parameter		Symbol	Min	Typ	Max	Unit	
Dynamic Performance - All PCM modes and DSD Processor mode							
Dynamic Range (Note 1)	24-bit	A-Weighted	114	120	-	dB	
		unweighted	111	117	-	dB	
	16-bit (Note 2)	A-Weighted	-	97	-	dB	
		unweighted	-	94	-	dB	
Total Harmonic Distortion + Noise	24-bit	(Note 1) 0 dB	THD+N	-	-107	-100	dB
		-20 dB		-	-97	-	dB
		-60 dB		-	-57	-	dB
	16-bit (Note 2)	0 dB	-	-94	-	dB	
		-20 dB	-	-74	-	dB	
		-60 dB	-	-34	-	dB	
Idle Channel Noise / Signal-to-noise ratio			-	120	-	dB	
Dynamic Performance - Direct DSD							
Dynamic Range (Note 3)	A-Weighted	unweighted	111	117	-	dB	
		unweighted	108	114	-	dB	
Total Harmonic Distortion + Noise	(Note 3)	0 dB	THD+N	-	-104	-98	dB
		-20 dB		-	-94	-	dB
		-60 dB		-	-54	-	dB
		-60 dB		-	-54	-	dB
Dynamic Performance for All Modes							
Interchannel Isolation	(1 kHz)		-	110	-	dB	
DC Accuracy							
Interchannel Gain Mismatch		ICGM	-	0.1	-	dB	
Gain Drift			-	100	-	ppm/°C	
Analog Output Characteristics and Specifications							
Full Scale Differential Output Voltage	PCM, DSD processor Direct DSD mode		$132\% \cdot V_A$	$134\% \cdot V_A$	$136\% \cdot V_A$	V_{pp}	
			$94\% \cdot V_A$	$96\% \cdot V_A$	$98\% \cdot V_A$	V_{pp}	
Output Impedance		Z_{OUT}	-	118	-	Ω	
Minimum AC-Load Resistance		R_L	-	1	-	$k\Omega$	
Maximum Load Capacitance		C_L	-	100	-	pF	

Notes:

1. One LSB of triangular PDF dither is added to data.
2. Performance limited by 16-bit quantization noise.
3. DSD performance may be limited by the source recording. 0 dB-SACD = 50% modulation index.

COMBINED INTERPOLATION & ON-CHIP ANALOG FILTER RESPONSE

The filter characteristics have been normalized to the sample rate (F_s) and can be referenced to the desired sample rate by multiplying the given characteristic by F_s .)

(See note 9.)

Parameter	Fast Roll-Off			Unit	
	Min	Typ	Max		
Combined Digital and On-Chip Analog Filter Response - Single-Speed Mode - 48 kHz (Note 5)					
Passband (Note 6)	to -0.01 dB corner	0	-	.454	F_s
	to -3 dB corner	0	-	.499	F_s
Frequency Response 10 Hz to 20 kHz	-0.01	-	+0.01	dB	
StopBand	0.547	-	-	F_s	
StopBand Attenuation (Note 7)	102	-	-	dB	
Group Delay	-	9.4/ F_s	-	s	
De-emphasis Error (Note 8) (Relative to 1 kHz)	$F_s = 32$ kHz	-	-	± 0.23	dB
	$F_s = 44.1$ kHz	-	-	± 0.14	dB
	$F_s = 48$ kHz	-	-	± 0.09	dB
Combined Digital and On-Chip Analog Filter Response - Double-Speed Mode - 96 kHz (Note 5)					
Passband (Note 6)	to -0.01 dB corner	0	-	.430	F_s
	to -3 dB corner	0	-	.499	F_s
Frequency Response 10 Hz to 20 kHz	-0.01	-	0.01	dB	
StopBand	.583	-	-	F_s	
StopBand Attenuation (Note 7)	80	-	-	dB	
Group Delay	-	4.6/ F_s	-	s	
Combined Digital and On-Chip Analog Filter Response - Quad-Speed Mode - 192 kHz (Note 5)					
Passband (Note 6)	to -0.01 dB corner	0	-	.105	F_s
	to -3 dB corner	0	-	.490	F_s
Frequency Response 10 Hz to 20 kHz	-0.01	-	0.01	dB	
StopBand	.635	-	-	F_s	
StopBand Attenuation (Note 7)	90	-	-	dB	
Group Delay	-	4.7/ F_s	-	s	

4. Slow Roll-off interpolation filter is only available in Control Port mode.
5. Filter response is guaranteed by design.
6. Response is clock-dependent and will scale with F_s .
7. For Single-Speed Mode, the Measurement Bandwidth is from stopband to 3 F_s .
For Double-Speed Mode, the Measurement Bandwidth is from stopband to 3 F_s .
For Quad-Speed Mode, the Measurement Bandwidth is from stopband to 1.34 F_s .
8. De-emphasis is available only in Single-Speed Mode; Only 44.1 kHz De-emphasis is available in Stand-Alone mode.
9. Amplitude vs. Frequency plots of this data are available in the "Appendix" on page 41.

COMBINED INTERPOLATION & ON-CHIP ANALOG FILTER RESPONSE

(Continued)

Parameter	Slow Roll-Off (Note 4)			Unit	
	Min	Typ	Max		
Single-Speed Mode - 48 kHz (Note 5)					
Passband (Note 6)	to -0.01 dB corner	0	-	0.417	F _s
	to -3 dB corner	0	-	0.499	F _s
Frequency Response 10 Hz to 20 kHz	-0.01	-	+0.01	dB	
StopBand	.583	-	-	F _s	
StopBand Attenuation (Note 7)	64	-	-	dB	
Group Delay	-	6.65/F _s	-	s	
De-emphasis Error (Note 8) (Relative to 1 kHz)	F _s = 32 kHz	-	-	±0.23	dB
	F _s = 44.1 kHz	-	-	±0.14	dB
	F _s = 48 kHz	-	-	±0.09	dB
Double-Speed Mode - 96 kHz (Note 5)					
Passband (Note 6)	to -0.01 dB corner	0	-	.296	F _s
	to -3 dB corner	0	-	.499	F _s
Frequency Response 10 Hz to 20 kHz	-0.01	-	0.01	dB	
StopBand	.792	-	-	F _s	
StopBand Attenuation (Note 7)	70	-	-	dB	
Group Delay	-	3.9/F _s	-	s	
Quad-Speed Mode - 192 kHz (Note 5)					
Passband (Note 6)	to -0.01 dB corner	0	-	.104	F _s
	to -3 dB corner	0	-	.481	F _s
Frequency Response 10 Hz to 20 kHz	-0.01	-	0.01	dB	
StopBand	.868	-	-	F _s	
StopBand Attenuation (Note 7)	75	-	-	dB	
Group Delay	-	4.2/F _s	-	s	

DSD COMBINED DIGITAL & ON-CHIP ANALOG FILTER RESPONSE

Parameter	Min	Typ	Max	Unit	
DSD Processor Mode (Note 5)					
Passband (Note 6)	to -3 dB corner	0	-	50	kHz
Frequency Response 10 Hz to 20 kHz	-0.05	-	0.05	dB	
Roll-off	27	-	-	dB/Oct	
Direct DSD Mode (Note 5)					
Passband (Note 6)	to -0.1 dB corner	0	-	26.9	kHz
	to -3 dB corner	0	-	176.4	kHz
Frequency Response 10 Hz to 20 kHz	-0.1	-	0	dB	

SWITCHING CHARACTERISTICS

(Inputs: Logic 0 = GND, Logic 1 = VLS, CL = 20 pF)

Parameters		Symbol	Min	Typ	Max	Units
Input Sample Rate	Single-Speed Mode	F_s	30	-	54	kHz
	Double-Speed Mode	F_s	50	-	108	kHz
	Quad-Speed Mode	F_s	100	-	216	kHz
MCLK Frequency	See Tables 1 & 2 (page 21) for compatible frequencies					
MCLK Duty Cycle			40%	-	60%	
LRCK Duty Cycle			45%	50	55%	
SCLK Pulse Width Low		$t_{sclk\ell}$	20	-	-	ns
SCLK Pulse Width High		t_{sclkh}	20	-	-	ns
SCLK Period	Single-Speed Mode	t_{sclkw}	$\frac{1}{(128)F_s}$	-	-	ns
	Double-Speed Mode	t_{sclkw}	$\frac{1}{(64)F_s}$	-	-	ns
	Quad-Speed Mode	t_{sclkw}	$\frac{2}{MCLK}$	-	-	ns
SCLK rising to LRCK edge delay		t_{slrd}	20	-	-	ns
SCLK rising to LRCK edge setup time		t_{slrs}	20	-	-	ns
SDATA valid to SCLK rising setup time		t_{sdlrs}	22	-	-	ns
SCLK rising to SDATA hold time		t_{sdh}	20	-	-	ns

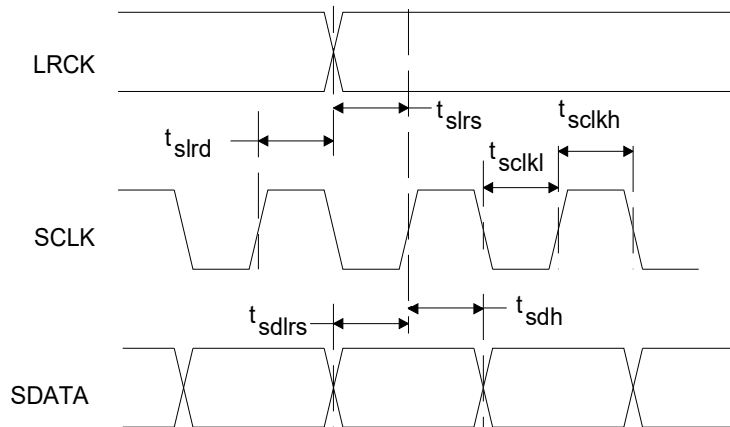


Figure 2. Serial Mode Input Timing

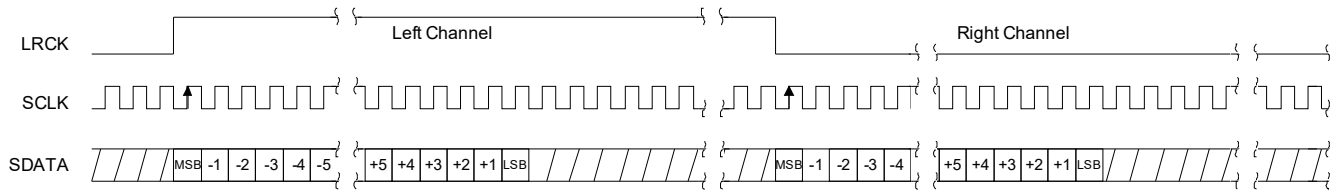


Figure 3. Format 0 - Left-Justified up to 24-bit Data

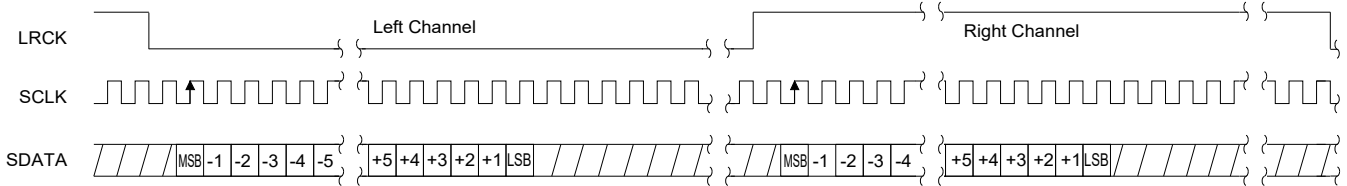
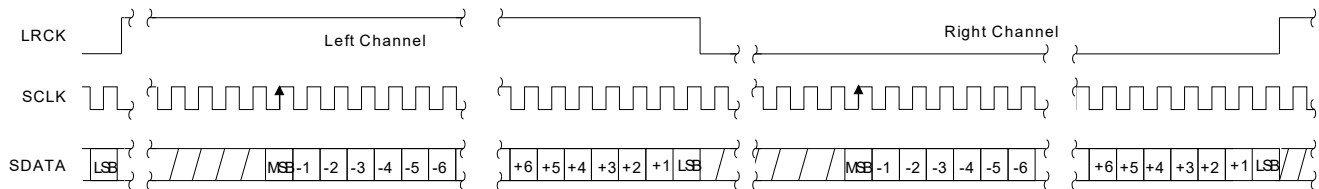


Figure 4. Format 1 - I²S up to 24-bit Data



**Figure 5. Format 2, Right-Justified 16-Bit Data.
 Format 3, Right-Justified 24-Bit Data.
 Format 4, Right-Justified 20-Bit Data. (Available in Control Port Mode only)**

SWITCHING CHARACTERISTICS- DSD

(Logic 0 = AGND = DGND; Logic 1 = VLS Volts; $C_L = 20$ pF)

Parameter	Symbol	Min	Typ	Max	Unit
MCLK Duty Cycle		40	-	60	%
DSD_SCLK Pulse Width Low	t_{sckl}	80	-	-	ns
DSD_SCLK Pulse Width High	t_{sckh}	80	-	-	ns
DSD_SCLK Frequency (64x Oversampled)		1.024	-	3.2	MHz
(128x Oversampled)		2.048	-	6.4	MHz
DSD_A/ _B valid to DSD_SCLK rising setup time	t_{sdls}	20	-	-	ns
DSD_SCLK rising to DSD_A or DSD_B hold time	t_{sdh}	20	-	-	ns
DSD clock to data transition (Phase Modulation mode)	t_{dpm}	-20	-	20	ns

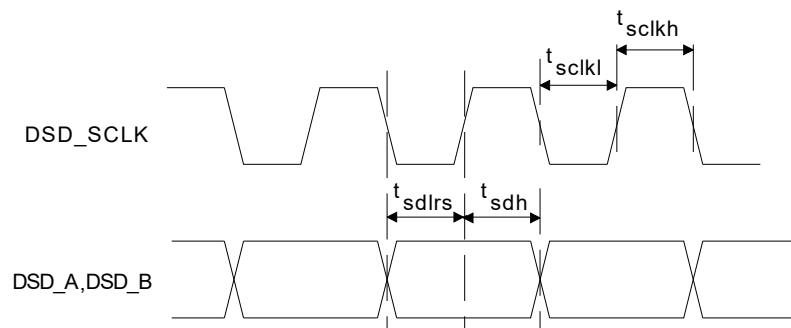


Figure 6. Direct Stream Digital - Serial Audio Input Timing

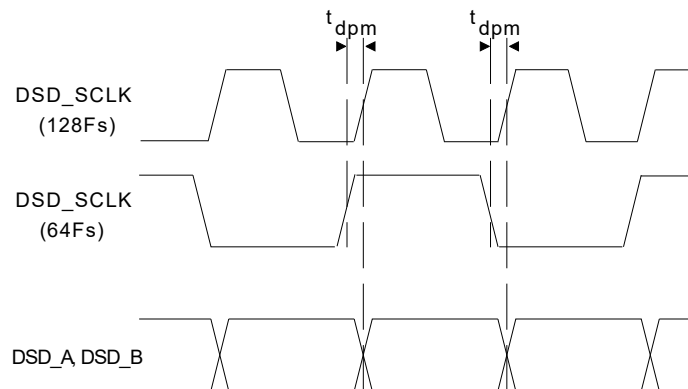


Figure 7. Direct Stream Digital - Serial Audio Input Timing for Phase Modulation Mode

SWITCHING CHARACTERISTICS- CONTROL PORT - I²C FORMAT

(Inputs: Logic 0 = GND, Logic 1 = VLC, C_L = 20 pF)

Parameter	Symbol	Min	Max	Unit
SCL Clock Frequency	f _{scl}	-	100	kHz
RST Rising Edge to Start	t _{irs}	500	-	ns
Bus Free-Time Between Transmissions	t _{buf}	4.7	-	μs
Start Condition Hold Time (prior to first clock pulse)	t _{hdst}	4.0	-	μs
Clock Low Time	t _{low}	4.7	-	μs
Clock High Time	t _{high}	4.0	-	μs
Setup Time for Repeated Start Condition	t _{sust}	4.7	-	μs
SDA Hold Time from SCL Falling (Note 10)	t _{hdd}	0	-	μs
SDA Setup Time to SCL Rising	t _{sud}	250	-	ns
Rise Time of SCL and SDA	t _{rc} , t _{rd}	-	1	μs
Fall Time SCL and SDA	t _{fc} , t _{fd}	-	300	ns
Setup Time for Stop Condition	t _{susp}	4.7	-	μs
Acknowledge Delay from SCL Falling	t _{ack}	300	1000	ns

10. Data must be held for sufficient time to bridge the transition time, t_{fc}, of SCL.

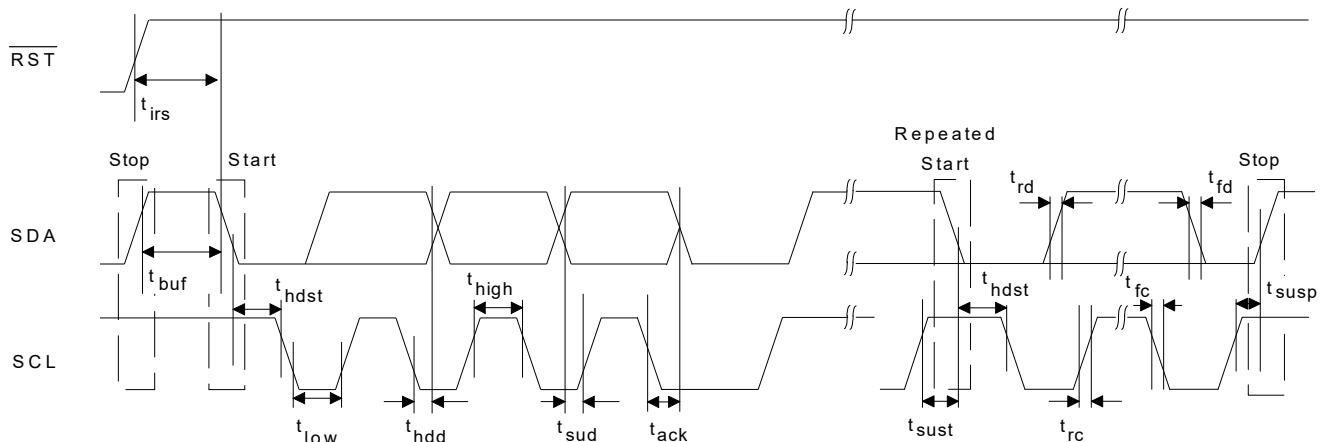


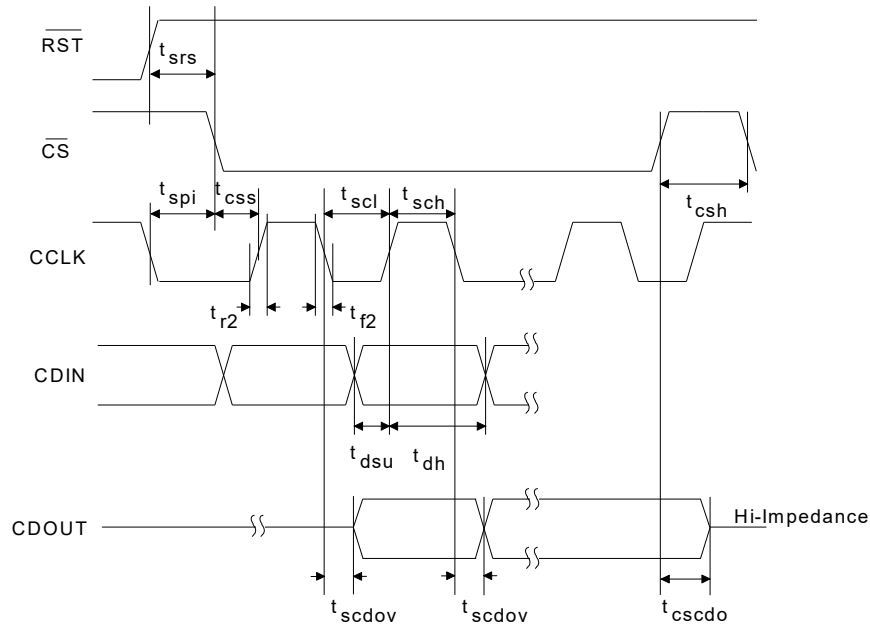
Figure 8. Control Port Timing - I²C Format

SWITCHING CHARACTERISTICS- CONTROL PORT - SPI™ FORMAT

 (Inputs: Logic 0 = GND, Logic 1 = VLC, $C_L = 20$ pF)

Parameter	Symbol	Min	Max	Unit
CCLK Clock Frequency	f_{sclk}	-	6	MHz
\overline{RST} Rising Edge to \overline{CS} Falling	t_{srs}	500	-	ns
CCLK Edge to \overline{CS} Falling (Note 11)	t_{spi}	500	-	ns
\overline{CS} High Time Between Transmissions	t_{csh}	1.0	-	μ s
\overline{CS} Falling to CCLK Edge	t_{css}	20	-	ns
CCLK Low Time	t_{scl}	66	-	ns
CCLK High Time	t_{sch}	66	-	ns
CDIN to CCLK Rising Setup Time	t_{dsu}	40	-	ns
CCLK Rising to DATA Hold Time (Note 12)	t_{dh}	15	-	ns
Rise Time of CCLK and CDIN (Note 13)	t_{r2}	-	100	ns
Fall Time of CCLK and CDIN (Note 13)	t_{f2}	-	100	ns
Transition time from CCLK to CDOUT valid (Note 14)	t_{scdov}	-	40	ns
Time from \overline{CS} rising to CDOUT high-Z (Note 15)	t_{cscdo}	-	20	ns

11. t_{spi} only needed before first falling edge of \overline{CS} after \overline{RST} rising edge. $t_{spi} = 0$ at all other times.
12. Data must be held for sufficient time to bridge the transition time of CCLK.
13. For $F_{SCK} < 1$ MHz.
14. CDOUT should *not* be sampled during this time period.
15. This time is by design and not tested.


Figure 9. Control Port Timing - SPI Format (Read/Write)

DC ELECTRICAL CHARACTERISTICS

Parameters	Symbol	Min	Typ	Max	Units	
Normal Operation (Note 16)						
Power Supply Current	$V_A = 5\text{ V}$ (Note 17)	I_A	-	25	28	mA
	$V_{ref} = 5\text{ V}$	I_{ref}	-	1.5	2	mA
	$V_D = 5\text{ V}$	I_D	-	25	38	mA
	$V_D = 3.3\text{ V}$	I_D	-	18	27	mA
	Interface current (Note 18)	I_{LC}	-	2	-	μA
		I_{LS}	-	80	-	μA
Power Dissipation	$V_A = 5\text{ V}, V_D = 5\text{ V}$		-	258	340	mW
	$V_A = 5\text{ V}, V_D = 3.3\text{ V}$		-	192	240	mW
Power-Down Mode (Note 19)						
Power Supply Current		I_{pd}	-	200	-	μA
Power Dissipation	$V_A = 5\text{ V}, V_D = 5\text{ V}$		-	1	-	mW
	$V_A = 5\text{ V}, V_D = 3.3\text{ V}$		-	1	-	mW
All Modes of Operation						
Power Supply Rejection Ratio (Note 20)	(1 kHz)	PSRR	-	60	-	dB
	(60 Hz)		-	40	-	dB
Common Mode Voltage		V_Q	-	$0.5 \cdot V_A$	-	V
Max Current draw from VQ		I_{Qmax}	-	1	-	μA
FILT+ Nominal Voltage			-	$0.93 \cdot V_A$	-	V
Maximum MUTE C Drive Current	(Note 21)		-	3	-	mA
MUTE C High-Level Output Voltage		V_{OH}		V_A		V
MUTE C Low-Level Output Voltage		V_{OL}		0		V

16. Normal operation is defined as \overline{RST} pin = High with a 997 Hz, 0 dBFS input sampled at the highest Fs for each speed mode, and open outputs, unless otherwise specified.
17. I_A measured with no loading on the AMUTE C and BMUTE C pins.
18. I_{LC} measured with no external loading on pin 11 (SDA).
19. Power-Down mode is defined as \overline{RST} pin = Low with all clock and data lines held static.
20. Valid with the recommended capacitor values on FILT+ and V_Q as shown in the "Typical Connection Diagram" on page 19.
21. This current is sourced/sinked directly from the V_A supply.

DIGITAL INTERFACE SPECIFICATIONS

Parameters		Symbol	Min	Typ	Max	Units
Input Leakage Current		I_{in}	-	-	± 10	μA
Input Capacitance			-	8	-	pF
High-Level Input Voltage	Serial I/O	V_{IH}	70%	-	-	V_{LS}
	Control I/O	V_{IH}	70%	-	-	V_{LC}
Low-Level Input Voltage	Serial I/O	V_{IL}	-	-	30%	V_{LS}
	Control I/O	V_{IL}	-	-	30%	V_{LC}
High-Level Output Voltage ($I_{OH} = -1.2$ mA)	Control I/O	V_{OH}	80%	-	-	V_{LC}
Low-Level Output Voltage ($I_{OL} = 1.2$ mA)	Control I/O	V_{OL}	-	-	20%	V_{LC}
MUTE _C auto detect input high voltage			70%			VA
MUTE _C auto detect input low voltage					30%	VA

3. TYPICAL CONNECTION DIAGRAM

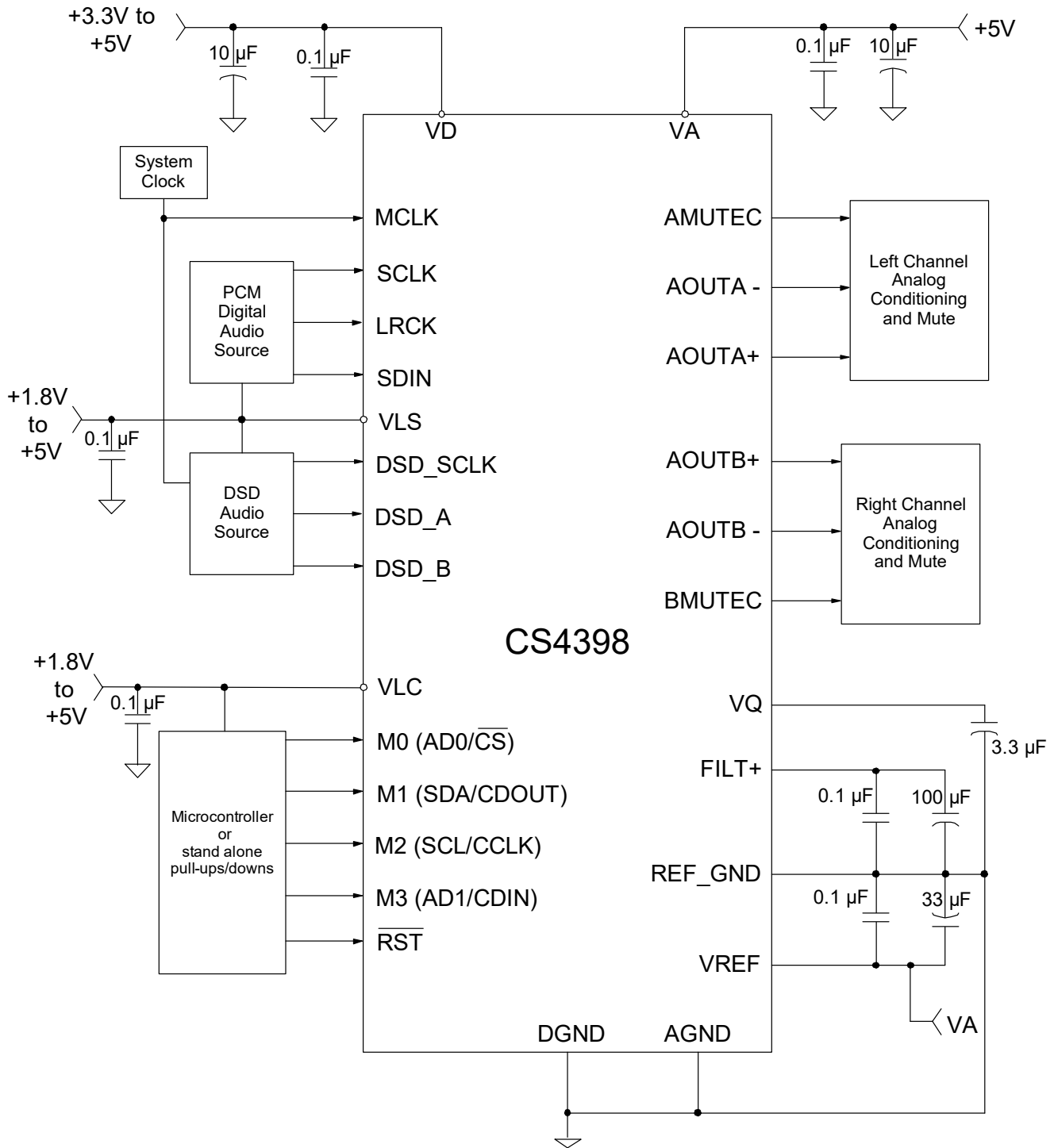


Figure 10. Typical Connection Diagram

4. APPLICATIONS

4.1 Grounding and Power Supply Decoupling

As with any high resolution converter, the CS4398 requires careful attention to power supply and grounding arrangements to optimize performance. The Typical Connection Diagram shows the recommended power arrangement with VA, VD, VLS and VLC connected to clean supplies. Decoupling capacitors should be located as close to the device package as possible. If desired, all supply pins may be connected to the same supply, but the recommended decoupling capacitors should still be placed on each supply pin. The AGND and DGND pins should be tied together with solid ground plane fill underneath the converter extending out to the GND side of the decoupling caps for VA, VD, VREF, and FILT+. This recommended layout can be seen in the CDB4398 evaluation board and datasheet.

4.2 Analog Output and Filtering

The Cirrus Logic application note “Design Notes for a 2-Pole Filter with Differential Input” (AN48) discusses the second-order Butterworth filter and differential to single-ended converter topology that was implemented on the CS4398 evaluation board, CDB4398, as seen in Figure 11.

The CS4398 does not include phase or amplitude compensation for an external filter. Therefore, the DAC system phase and amplitude response is dependent on the external analog circuitry.

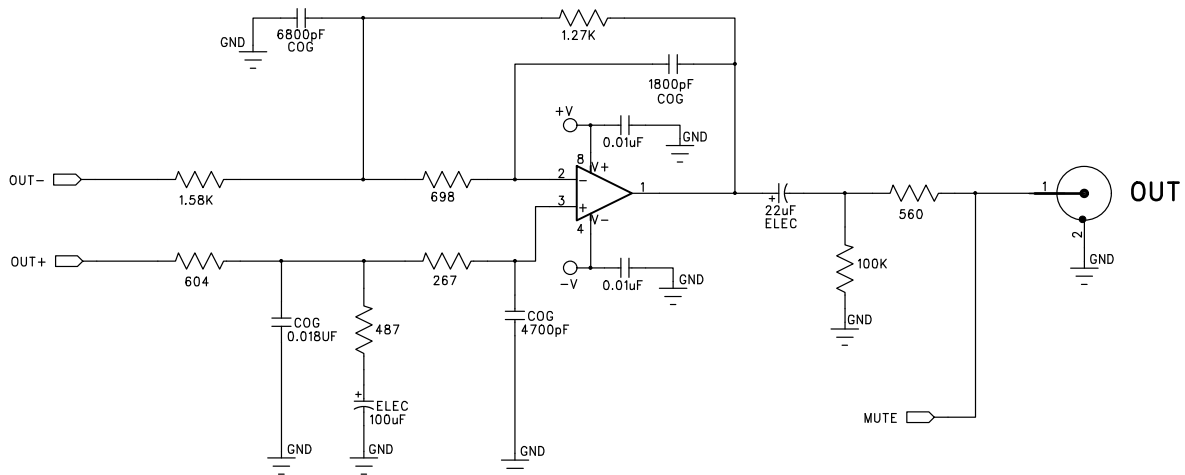


Figure 11. Recommended Output Filter

4.3 The MUTE Outputs

The AMUTE and BMUTE pins have an auto-polarity detect feature. The MUTE output pins are high impedance at the time of reset. The external mute circuitry needs to be self-biased into an active state in order to be muted during reset. Upon release of reset, the CS4398 detects the status of the MUTE pins (high or low) and then selects that state as the polarity to drive when the mutes become active. The external-bias voltage level that the MUTE pins see at the time of release of reset must meet the “MUTE auto detect input high/low voltage” specifications as outlined in the Digital Characteristics in Section 2.

Figure 12 shows a single example of both an active-high and an active-low mute drive circuit. In these designs, the pull-up and pull-down resistors have been specifically chosen to meet the input high/low threshold when used with the MMUN2111 and MMUN2211 internal bias resistances of 10 kΩ.

Use of the Mute Control function is not mandatory but recommended for designs requiring the absolute minimum in extraneous clicks and pops. Also, use of the Mute Control function can enable the system designer to achieve idle channel noise/signal-to-noise ratios which are only limited by the external mute circuit.

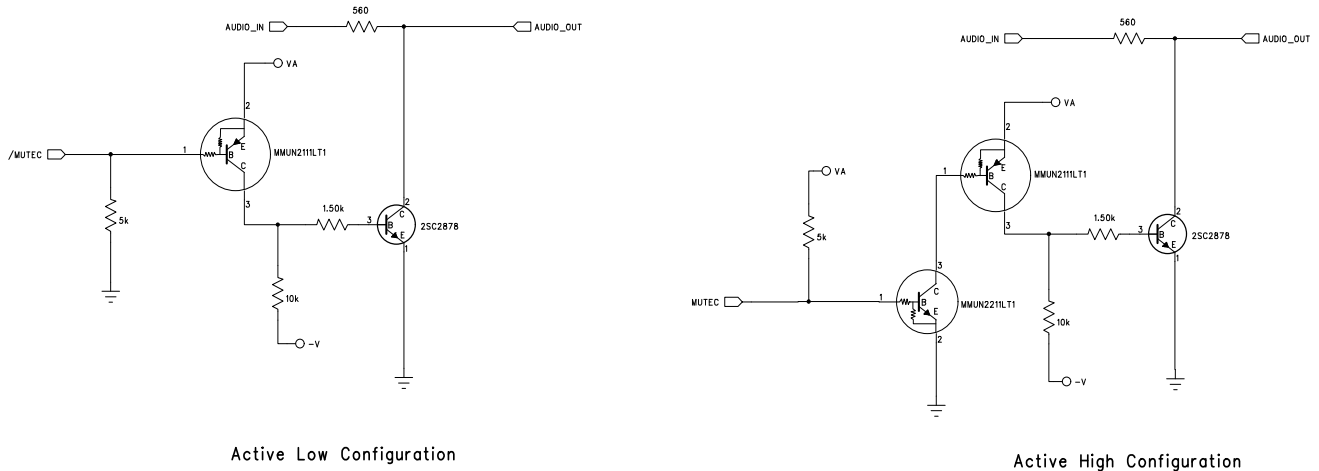


Figure 12. Recommended Mute Circuitry

4.4 Oversampling Modes

The CS4398 operates in one of three oversampling modes based on the input sample rate. Single-Speed mode supports input sample rates up to 50 kHz and uses a 128x oversampling ratio. Double-Speed mode supports input sample rates up to 100 kHz and uses an oversampling ratio of 64x. Quad-Speed mode supports input sample rates up to 200 kHz and uses an oversampling ratio of 32x.

4.5 Master and Serial Clock Ratios

The required MCLK-to-LRCK ratio and suggested SCLK-to-LRCK ratio are outlined in Table 1. MCLK can be at any phase in regards to LRCK and SCLK. SCLK, LRCK and SDATA must meet the phase and timing relationships outlined in Section 2. Some common MCLK frequencies have been outlined in Table 2.

	MCLK/LRCK	SCLK/LRCK	LRCK
Single-Speed	256, 384, 512, 768*, 1024*, 1152*	32, 48, 64, 96, 128	Fs
Double-Speed	128, 192, 256, 384, 512*	32, 48, 64	Fs
Quad-Speed	64	32 (16 bits only)	Fs
	96	32, 48	Fs
	128, 256*	32, 64	Fs
	192	32, 48, 64, 96	Fs

***These modes are only available in Control Port mode by setting the appropriate MCLKDIV bit.**

Table 1. Clock Ratios

Mode (sample-rate range)	Sample Rate (kHz)	MCLK (MHz)					
					MCLKDIV2		MCLKDIV3
MCLK Ratio		256x	384x	512x	768x	1024x	1152x
Single-Speed (32 to 50 kHz)	32	8.1920	12.2880	16.3840	24.5760	32.7680	36.8640
	44.1	11.2896	16.9344	22.5792	33.8688	45.1584	-
	48	12.2880	18.4320	24.5760	36.8640	49.1520	-
MCLK Ratio		128x	192x	256x	384x	512x	-
Double-Speed (50 to 100 kHz)	64	8.1920	12.2880	16.3840	24.5760	32.7680	-
	88.2	11.2896	16.9344	22.5792	33.8688	45.1584	-
	96	12.2880	18.4320	24.5760	36.8640	49.1520	-
MCLK Ratio		64x*	96x	128x	192x	256x	-
Quad-Speed (100 to 200 kHz)	176.4	11.2896*	16.9344	22.5792	33.8688	45.1584	-
	192	12.2880*	18.4320	24.5760	36.8640	49.1520	-
These modes are only available in Control Port mode by setting the appropriate MCLKDIV bit.							
* This MCLK ratio limits the audio word length to 16 bits; see Table 1 on page 21							

Table 2. Common Clock Frequencies

4.6 Stand-Alone Mode Settings

In Stand-Alone mode (also referred to as “Hardware mode”), the device is configured using the M0 through M3 pins. These pins must be connected to either the VLC supply or ground. The Interface format is set by pins M0 and M1. The sample rate range/oversampling mode (Single/Double/Quad-Speed mode) and de-emphasis are set by pins M2 and M3. The settings can be found in Tables 3 and 4.

M1	M0	Description	Format	Figure
0	0	Left-Justified, up to 24-bit data	0	3
0	1	I ² S, up to 24-bit data	1	4
1	0	Right-Justified, 16-bit Data	2	5
1	1	Right-Justified, 24-bit Data	3	5

Table 3. Digital Interface Format, Stand-Alone Mode Options

M3	M2	Description
0	0	Single-Speed without De-Emphasis (32 to 50 kHz sample rates)
0	1	Single-Speed with 44.1 kHz De-Emphasis; see Figure 17 on page 30
1	0	Double-Speed (50 to 100 kHz sample rates)
1	1	Quad-Speed (100 to 200 kHz sample rates)

Table 4. Mode Selection, Stand-Alone Mode Options

The following features are always enabled in Stand-Alone mode: Auto-mute on zero data, Auto MUTE C polarity detect, ramp volume from mute to 0dB by 1/8th dB steps every LRCK (soft ramp) after reset or clock mode change, and the fast roll-off interpolation filter is used.

The following features are not available in Stand-Alone mode: DSD mode, Right-Justified 20- and 18-bit serial audio interfaces, MCLK divide-by-2 and MCLK divide-by-3 (allows 1024 and 1152 clock ratios), slow roll-off interpolation filter, volume control, ATAPI mixing, 48 kHz and 32 kHz de-emphasis, and all other features enabled by registers that are not mentioned above.

4.6.1 Recommended Power-Up Sequence (Stand-Alone Mode)

1. Hold $\overline{\text{RST}}$ low until the power supply, master, and left/right clocks are stable. In this state, the Control Port is reset to its default settings.
2. Bring $\overline{\text{RST}}$ high. The device will remain in a low power state and will initiate the Stand-Alone power-up sequence following approximately 2^{18} MCLK cycles.

4.7 Control Port Mode

4.7.1 Recommended Power-Up Sequence (Control Port Mode)

1. Hold $\overline{\text{RST}}$ low until the power supply, master, and left/right clocks are stable. In this state, the Control Port is reset to its default settings.
2. Bring $\overline{\text{RST}}$ high. Set the CPEN bit (Reg. 8h) prior to the completion of the Stand-Alone power-up sequence (approximately 2^{18} MCLK cycles). Setting this bit halts the Stand-Alone power-up sequence and initializes the Control Port to its default settings. The desired register settings can be loaded while keeping the PDN bit (Reg. 8h) set to 1.
3. Clear the PDN bit to initiate the power-up sequence.

If the CPEN bit is not written within the allotted time, the device will start-up in stand-alone mode and begin converting data according to the current state of the M0 to M3 pins. Since these pins are also the control port pins, an undesired mode may be entered. For this reason, if the CPEN bit is not set before the allotted time elapses, the SDIN line must be kept at static 0 (not dithered) until the device is properly configured. This will keep the device from converting data improperly.

4.7.2 Sample Rate Range/Oversampling Mode (Control Port Mode)

Sample rate mode selection is determined by the FM bits (Reg. 02h).

4.7.3 Serial Audio Interface Formats (Control Port Mode)

The desired serial audio interface format is selected using the DIF2:0 bits (Reg. 02h).

4.7.4 MUTE C Pins (Control Port Mode)

The auto-mute polarity feature (mentioned in Section 4.3) is defeatable. The MUTE P1:0 bits in register 04h give the option to override the mute polarity which was auto detected at startup (see the Register Description section for more details).

4.7.5 Interpolation Filter (Control Port Mode)

To accommodate the increasingly complex requirements of digital audio systems, the CS4398 incorporates selectable interpolation filters. A fast and a slow roll-off filter are available in each of Single-, Double-, and Quad-Speed modes. These filters have been designed to accommodate a variety of musical tastes and styles. The FILT_SEL bit (Reg. 07h) is used to select which filter is used (see the Register Description section for more details).

Filter specifications can be found in Section 2, and filter response plots can be found in Figures 20 to 43 in the "Appendix" on page 41.

4.7.6 Direct Stream Digital (DSD) Mode (Control Port Mode)

In Control Port mode, the FM bits (Reg. 02h) are used to configure the device for DSD mode. The DIF bits (Reg 02h) then control the expected DSD rate and MCLK ratio.

The DSD_SRC bit (Reg. 02h) selects the input pins for DSD clocks and data. During DSD operation, the PCM-related pins should either be tied low or remain active with clocks. When the DSD related pins are not being used, they should either be tied low or remain active with clocks.

The DIR_DSD bit (Reg 07h) selects between two proprietary methods for DSD-to-analog conversion. The first method uses a decimation-free DSD processing technique that allows for features such as matched PCM level output, DSD volume control, and 50 kHz on-chip filter. The second method sends the DSD data directly to the on-chip switched-capacitor filter for conversion (without the above mentioned features).

The DSD_PM_EN bit (Reg. 09h) selects Phase Modulation (data plus data inverted) as the style of data input. In this mode, the DSD_PM_mode bit selects whether a 128Fs or 64x clock is used for phase modulated 64x data (see Figure 13). Use of phase modulation mode may not directly affect the performance of the CS4398, but may lower the sensitivity to board-level routing of the DSD data signals.

The CS4398 can detect errors in the DSD data that do not comply to the SACD specification. The STAT_IC_DSD and INVALID_DSD bits (Reg. 09h) allow the CS4398 to alter the incoming invalid DSD data. Depending on the error, the data may either be attenuated or replaced with a muted DSD signal (the MUTEC pins would set according to the DAMUTE bit (Reg. 04h)).

More information for any of these register bits can be found in the Register Description section.

The DSD input structure and analog outputs are designed to handle a nominal 0 dB-SACD (50% modulation index) at full rated performance. Signals of +3 dB-SACD may be applied for brief periods of time; however, performance at these levels is not guaranteed. If sustained +3 dB-SACD levels are required, the digital volume control should be set to -3.0 dB. This same volume control register affects PCM output levels. There is no need to change the volume control setting between PCM and DSD in order to have the 0 dB output levels match (both 0 dBFS and 0 dB-SACD will output at -3 dB in this case).

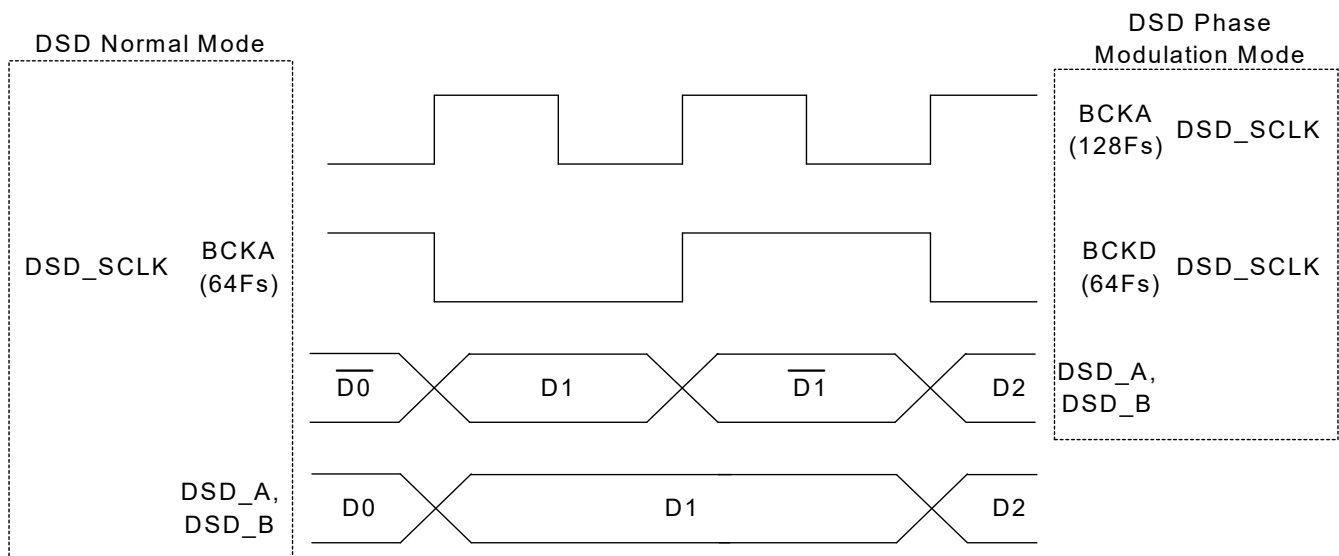


Figure 13. DSD Phase Modulation Mode Diagram

5. CONTROL PORT INTERFACE

The Control Port is used to load all the internal settings. The operation of the Control Port may be completely asynchronous with the audio sample rate. However, to avoid potential interference problems, the Control Port pins should remain static if no operation is required.

5.1 Memory Address Pointer (MAP)

5.1.1 Memory Address Pointer (MAP) Register Detail

7	6	5	4	3	2	1	0
INCR	Reserved	Reserved	Reserved	MAP3	MAP2	MAP1	MAP0
0	0	0	0	0	0	0	0

5.1.2 INCR (Auto Map Increment Enable)

Default = '0'

0 - Disabled, the MAP will stay constant for successive writes

1 - Enabled, the MAP will auto increment after each byte is written, allowing block reads or writes of successive registers

5.1.3 MAP3-0 (Memory Address Pointer)

Default = '0000'

5.2 Enabling the Control Port

On the CS4398, the Control Port pins are shared with Stand-Alone configuration pins. To enable the Control Port, the user must set the CPEN bit. This is done by performing an I²C or SPI write. Once the Control Port is enabled, these pins are dedicated to Control Port functionality.

To prevent audible artifacts, the CPEN bit (see Section 7) should be set prior to the completion of the Stand-Alone power-up sequence, approximately 2¹⁸ MCLK cycles. Setting this bit halts the stand-alone power-up sequence and initializes the Control Port to its default settings. Note, the CPEN bit can be set any time after RST goes high; however, setting this bit after the stand-alone power-up sequence has completed can cause audible artifacts.

5.3 Format Selection

The Control Port has two formats: SPI and I²C, with the CS4398 operating as a slave device.

If I²C operation is desired, AD0/ $\overline{\text{CS}}$ should be tied to VLC or GND. If the CS4398 ever detects a high-to-low transition on AD0/ $\overline{\text{CS}}$ after power-up, SPI format will automatically be selected.

5.4 I²C Format

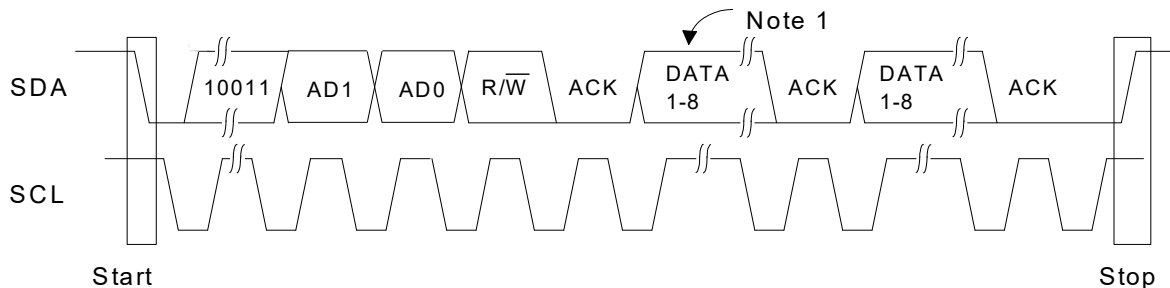
In I²C Format, SDA is a bidirectional data line. Data is clocked into and out of the part by the clock, SCL, with a clock-to-data relationship as shown in Figure 14. The receiving device should send an acknowledge (ACK) after each byte received. There is no $\overline{\text{CS}}$ pin. Pins AD0 and AD1 form the partial chip address and should be tied to VLC or GND as required. The upper five bits of the 7-bit address field must be 10011.

5.4.1 Writing in I²C Format

To communicate with the CS4398, initiate a START condition of the bus (see Figure 14.). Next, send the chip address. The eighth bit of the address byte is the R/W bit (low for a write). The next byte is the Memory Address Pointer, MAP, which selects the register to be read or written. The MAP is then followed by the data to be written. To write multiple registers, continue providing a clock and data, waiting for the CS4398 to acknowledge between each byte. To end the transaction, send a STOP condition.

5.4.2 Reading in I²C Format

To communicate with the CS4398, initiate a START condition of the bus (see Figure 14.). Next, send the chip address. The eighth bit of the address byte is the R/W bit (high for a read). The contents of the register pointed to by the MAP will be output after the chip address. To read multiple registers, continue providing a clock and issue an ACK after each byte. To end the transaction, send a STOP condition.



Note: If operation is a write, this byte contains the Memory Address Pointer, MAP.

Figure 14. Control Port Timing, I²C Format

5.5 SPI Format

In SPI format, \overline{CS} is the CS4398 chip select signal; CCLK is the Control Port bit clock; CDIN is the input data line from the microcontroller; CDOUT is the output data line and the chip address is 1001100. \overline{CS} , CCLK, and CDIN are all inputs, and data is clocked in on the rising edge of CCLK. CDOUT is an output and is high-impedance when not actively outputting data.

5.5.1 Writing in SPI

Figure 15 shows the operation of the Control Port in SPI format. To write to a register, bring \overline{CS} low. The first seven bits on CDIN form the chip address and must be 1001100. The eighth bit is a read/write indicator (R/W), which must be low to write. The next eight bits form the Memory Address Pointer (MAP), which is set to the address of the register that is to be updated. The next eight bits are the data that will be placed into register designated by the MAP. To write multiple registers, keep \overline{CS} low and continue providing clocks on CCLK. End the read transaction by setting \overline{CS} high.

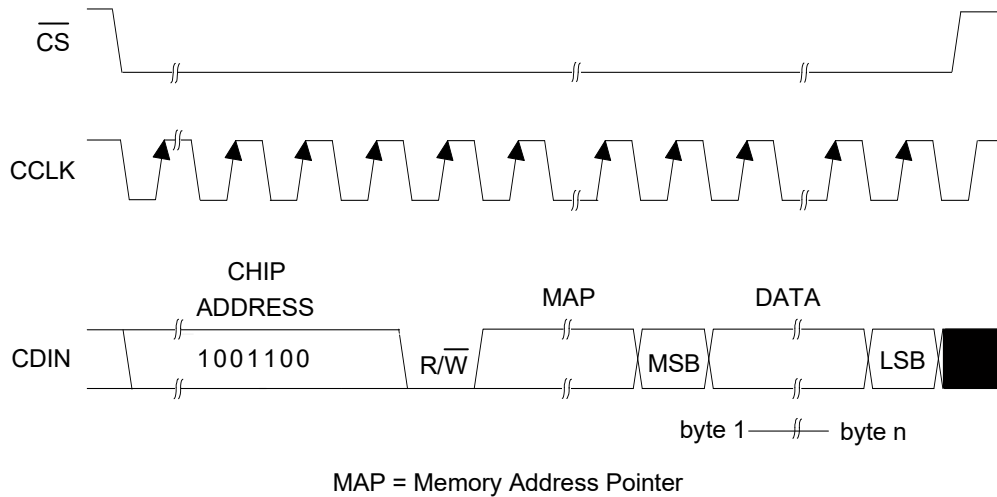


Figure 15. Control Port Timing, SPI Format (Write)

5.5.2 Reading in SPI

Figure 16 shows the operation of the Control Port in SPI format. To read to a register, bring \overline{CS} low. The first seven bits on CDIN form the chip address and must be 1001100. The eighth bit is a read/write control (R/\overline{W}), which must be high to read. The CDOUT line will then output the data from the register designated by the MAP. To read multiple registers, keep \overline{CS} low and continue providing clocks on CCLK. End the read transaction by setting \overline{CS} high. The CDOUT line will go to a high-impedance state once \overline{CS} goes high.

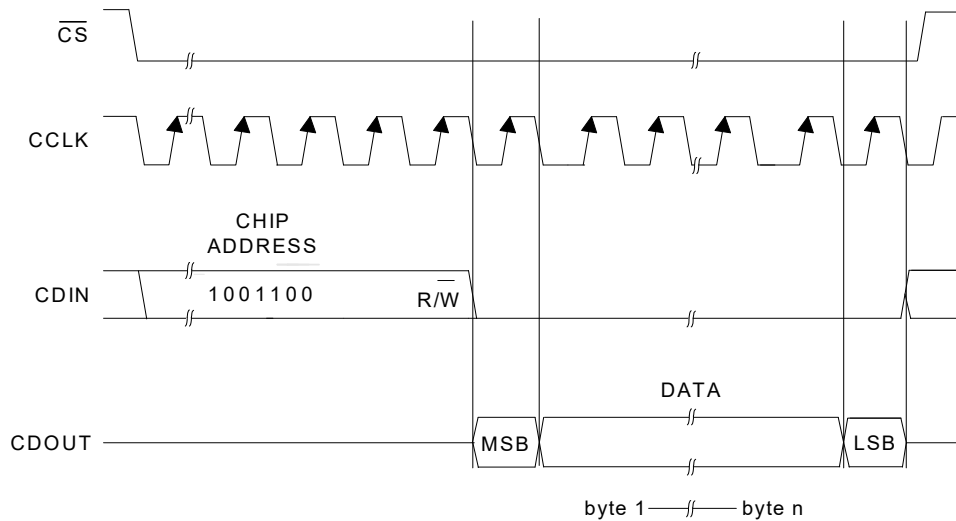


Figure 16. Control Port Timing, SPI Format (Read)

6. REGISTER QUICK REFERENCE

Addr	Function	7	6	5	4	3	2	1	0
1h	Chip ID default	PART4 0	PART3 1	PART2 1	PART1 1	PART0 0	REV2 -	REV1 -	REV0 -
2h	Mode Control default	DSD_SRC 0	DIF2 0	DIF1 0	DIF0 0	DEM1 0	DEM0 0	FM1 0	FM0 0
3h	Volume, Mixing, and Inversion Control default	VOLB=A 0	INVERTA 0	INVERTB 0	ATAPI4 0	ATAPI3 1	ATAPI2 0	ATAPI1 0	ATAPI0 1
4h	Mute Control default	PAMUTE 1	DAMUTE 1	MUTECA=B 0	MUTE_A 0	MUTE_B 0	Reserved 0	MUTE_P1 0	MUTE_P0 0
5h	Channel A Volume Control default	VOL7 0	VOL6 0	VOL5 0	VOL4 0	VOL3 0	VOL2 0	VOL1 0	VOL0 0
6h	Channel B Volume Control default	VOL7 0	VOL6 0	VOL5 0	VOL4 0	VOL3 0	VOL2 0	VOL1 0	VOL0 0
7h	Ramp and Filter Control default	SZC1 1	SZC0 0	RMP_UP 1	RMP_DN 1	Reserved 0	FILT_SEL 0	Reserved 0	DIR_DSD 0
8h	Misc. Control default	PDN 1	CPEN 0	FREEZE 0	MCLKDIV2 0	MCLKDIV3 0	Reserved 0	Reserved 0	Reserved 0
9h	Misc. Control 2 default	Reserved 0	Reserved 0	Reserved 0	Reserved 0	STATIC_DSD 1	INVALID_DSD 0	DSD_PM_MODE 0	DSD_PM_EN 0

7. REGISTER DESCRIPTION

** All register access is R/W unless specified otherwise**

7.1 Chip ID - Register 01h

7	6	5	4	3	2	1	0
PART4	PART3	PART2	PART1	PART0	REV2	REV1	REV0
0	1	1	1	0	-	-	-

Function:

This register is Read-Only. Bits 7 through 3 are the part number ID, which is 01110b (14h), and the remaining Bits (2 through 0) are for the chip revision (Rev. A = 000, Rev. B = 001, ...)

7.2 Mode Control 1 - Register 02h

7	6	5	4	3	2	1	0
DSD_SRC	DIF2	DIF1	DIF0	DEM1	DEM0	FM1	FM0
0	0	0	0	0	0	0	0

7.2.1 DSD Input Source Select (DSD_SRC) BIT 7

Function:

When set to 0 (default), the dedicated DSD pins will be the active DSD inputs.

When set to 1, the source for DSD inputs will be as follows:

- DSDA input on SDATA pin
- DSDB input on LRCK pin
- DSD_SCLK input on SCLK pin

The dedicated DSD pins must be tied low while not in use.

7.2.2 Digital Interface Format (DIF2:0) BITS 6-4

Function:

These bits select the interface format for the serial audio input. The Functional Mode bits determine whether PCM or DSD mode is selected.

PCM Mode: The required relationship between the Left/Right clock, serial clock and serial data is defined by the Digital Interface Format, and the options are detailed in Figures 3 through 5.

DIF2	DIF1	DIF0	Description	Format	Figure
0	0	0	Left-Justified, up to 24-bit data	0 (Default)	3
0	0	1	I ² S, up to 24-bit data	1	4
0	1	0	Right-Justified, 16-bit data	2	5
0	1	1	Right-Justified, 24-bit data	3	5
1	0	0	Right-Justified, 20-bit data	4	5
1	0	1	Right-Justified, 18-bit data	5	5
1	1	0	Reserved		
1	1	1	Reserved		

Table 5. Digital Interface Formats - PCM Mode

DSD Mode: The relationship between the oversampling ratio of the DSD audio data and the required Master Clock to DSD data rate is defined by the Digital Interface Format pins.

DIF2	DIF1	DIF0	Description
0	0	0	64x oversampled DSD data with a 4x MCLK to DSD data rate (Default)
0	0	1	64x oversampled DSD data with a 6x MCLK to DSD data rate
0	1	0	64x oversampled DSD data with a 8x MCLK to DSD data rate
0	1	1	64x oversampled DSD data with a 12x MCLK to DSD data rate
1	0	0	128x oversampled DSD data with a 2x MCLK to DSD data rate
1	0	1	128x oversampled DSD data with a 3x MCLK to DSD data rate
1	1	0	128x oversampled DSD data with a 4x MCLK to DSD data rate
1	1	1	128x oversampled DSD data with a 6x MCLK to DSD data rate

Table 6. Digital Interface Formats - DSD Mode

7.2.3 De-Emphasis Control (DEM1:0) BITS 3-2.

Default = 0

- 00 - No De-emphasis
- 01 - 44.1 kHz De-emphasis
- 10 - 48 kHz De-emphasis
- 11 - 32 kHz De-emphasis

Function:

Selects the appropriate digital filter to maintain the standard 15 μ s/50 μ s digital de-emphasis filter response at 32, 44.1 or 48 kHz sample rates. (see Figure 17)

Notes: De-emphasis is only available in Single-Speed Mode.

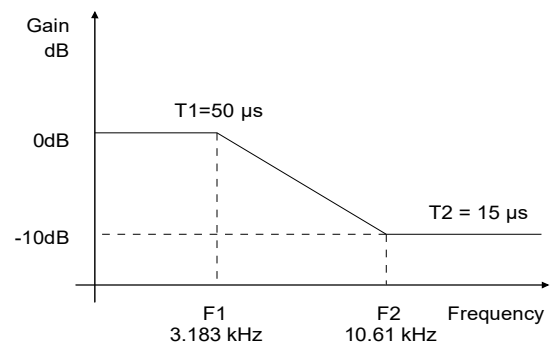


Figure 17. De-Emphasis Curve

7.2.4 Functional Mode (FM1:0) BITS 1-0

Default = 00

- 00 - Single-Speed Mode (30 to 50 kHz sample rates)
- 01 - Double-Speed Mode (50 to 100 kHz sample rates)
- 10 - Quad-Speed Mode (100 to 200 kHz sample rates)
- 11 - Direct Stream Digital Mode

Function:

Selects the required range of input sample rates or DSD Mode.

7.3 Volume Mixing and Inversion Control - Register 03h

7	6	5	4	3	2	1	0
VOLB=A	INVERT A	INVERT B	ATAPI4	ATAPI3	ATAPI2	ATAPI1	ATAPI0
0	0	0	0	1	0	0	1

7.3.1 Channel B Volume = Channel A Volume (VOLB=A) Bit 7

Function:

When set to 0 (default), the AOUTA and AOUTB volume levels are independently controlled by the A and the B Channel Volume Control Bytes.

When set to 1, the volume on both AOUTA and AOUTB are determined by the A Channel Attenuation and Volume Control Bytes, and the B Channel Bytes are ignored.

7.3.2 Invert Signal Polarity (Invert_A) Bit 6

Function:

When set to 1, this bit inverts the signal polarity of channel A.

When set to 0 (default), this function is disabled.

7.3.3 Invert Signal Polarity (Invert_B) Bit 5

Function:

When set to 1, this bit inverts the signal polarity of channel B.

When set to 0 (default), this function is disabled.

7.3.4 ATAPI Channel Mixing and Muting (ATAPI4:0) Bits 4-0

Default = 01001 - AOUTA=aL, AOUTB=bR (Stereo)

Function:

The CS4398 implements the channel-mixing functions of the ATAPI CD-ROM specification. Refer to Table and Figure 18 for additional information.

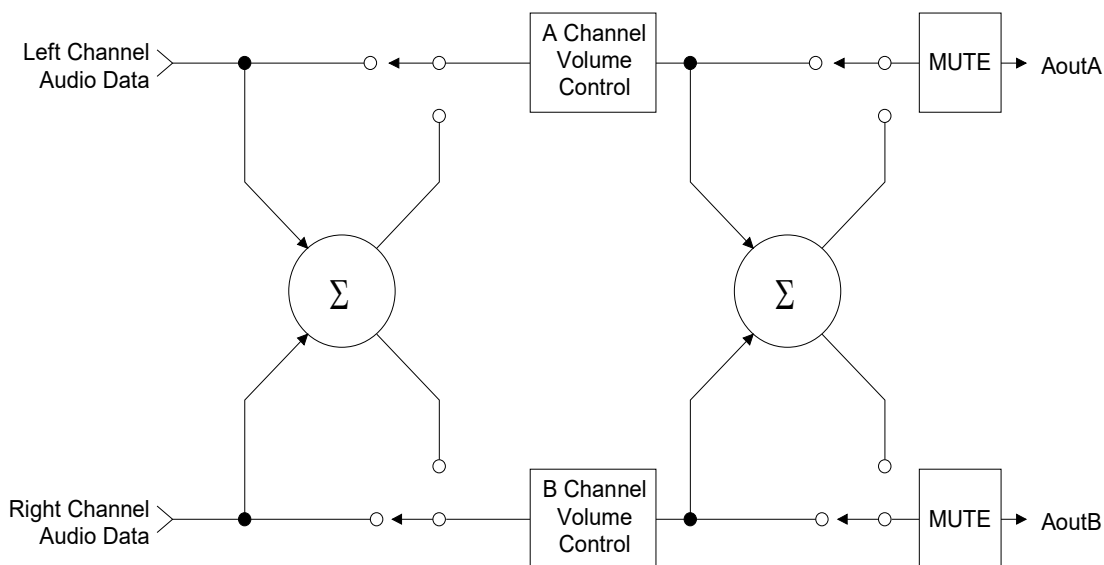


Figure 18. ATAPI Block Diagram

ATAPI4	ATAPI3	ATAPI2	ATAPI1	ATAPI0	AOUTA	AOUTB
0	0	0	0	0	MUTE	MUTE
0	0	0	0	1	MUTE	bR
0	0	0	1	0	MUTE	bL
0	0	0	1	1	MUTE	b[(L+R)/2]
0	0	1	0	0	aR	MUTE
0	0	1	0	1	aR	bR
0	0	1	1	0	aR	bL
0	0	1	1	1	aR	b[(L+R)/2]
0	1	0	0	0	aL	MUTE
0	1	0	0	1	aL	bR
0	1	0	1	0	aL	bL
0	1	0	1	1	aL	b[(L+R)/2]
0	1	1	0	0	a[(L+R)/2]	MUTE
0	1	1	0	1	a[(L+R)/2]	bR
0	1	1	1	0	a[(L+R)/2]	bL
0	1	1	1	1	a[(L+R)/2]	b[(L+R)/2]
1	0	0	0	0	MUTE	MUTE
1	0	0	0	1	MUTE	bR
1	0	0	1	0	MUTE	bL
1	0	0	1	1	MUTE	[(bL+aR)/2]
1	0	1	0	0	aR	MUTE
1	0	1	0	1	aR	bR
1	0	1	1	0	aR	bL
1	0	1	1	1	aR	[(aL+bR)/2]
1	1	0	0	0	aL	MUTE
1	1	0	0	1	aL	bR
1	1	0	1	0	aL	bL
1	1	0	1	1	aL	[(aL+bR)/2]
1	1	1	0	0	[(aL+bR)/2]	MUTE
1	1	1	0	1	[(aL+bR)/2]	bR
1	1	1	1	0	[(bL+aR)/2]	bL
1	1	1	1	1	[(aL+bR)/2]	[(aL+bR)/2]

7.4 Mute Control - Register 04h

7	6	5	4	3	2	1	0
PAMUTE	DAMUTE	MUTE _C A=B	MUTE_A	MUTE_B	Reserved	MUTE _P 1	MUTE _P 0
1	1	0	0	0	0	0	0

7.4.1 PCM Auto-Mute (PAMUTE) Bit 7

Function:

When set to 1 (default), the Digital-to-Analog converter output will mute following the reception of 8192 consecutive audio samples of static 0 or -1. A single sample of non-static data will release the mute. Detection and muting is done independently for each channel. The quiescent voltage on the output will be retained, and the Mute Control pin will go active during the mute period.

When set to 0, this function is disabled.

7.4.2 DSD Auto-Mute (DAMUTE) Bit 6

Function:

When set to 1 (default), the Digital-to-Analog converter output will mute following the reception of 256 repeated 8-bit DSD mute patterns (as defined in the SACD specification).

A single bit not fitting the repeated mute pattern (mentioned above) will release the mute. Detection and muting is done independently for each channel. The quiescent voltage on the output will be retained, and the Mute Control pin will go active during the mute period.

When set to 0, this function is disabled.

7.4.3 AMUTE_C = BMUTE_C (MUTE_C A=B) Bit 5

Function:

When set to 0 (default), the AMUTE_C and BMUTE_C pins operate independently.

When set to 1, the individual controls for AMUTE_C and BMUTE_C are internally connected through an AND gate prior to the output pins. Therefore, the external AMUTE_C and BMUTE_C pins will go active only when the requirements for both AMUTE_C and BMUTE_C are valid.

7.4.4 A Channel Mute (MUTE_A) Bit 4 B Channel Mute (MUTE_B) Bit 3

Function:

When set to 1, the Digital-to-Analog converter output will mute. The quiescent voltage on the output will be retained. The muting function is affected, similar to attenuation changes, by the Soft and Zero Cross bits in the Volume and Mixing Control register. The corresponding MUTE_C pin will go active following any ramping due to the soft and zero cross function.

When set to 0 (default), this function is disabled.

7.4.5 MUTE Polarity and DETECT (MUTEP1:0) Bits 1-0

Default = 00

00 - Auto polarity detect, selected from AMUTEC pin

01 - Reserved

10 - Active low mute polarity

11 - Active high mute polarity

Function:

Auto mute polarity detect (00)

See section 4.3 on page 20 for description.

Active low mute polarity (10)

When $\overline{\text{RST}}$ is low, the outputs are high-impedance and will need to be biased active. Once reset has been released and after this bit is set, the MUTE output pins will be active low polarity.

Active high mute polarity (11)

At reset time, the outputs are high-impedance and will need to be biased active. Once reset has been released and after this bit is set, the MUTE output pins will be active high polarity.

7.5 Channel A Volume Control - Register 05h

7.6 Channel B Volume Control - Register 06h

7	6	5	4	3	2	1	0
VOL7	VOL6	VOL5	VOL4	VOL3	VOL2	VOL1	VOL0
0	0	0	0	0	0	0	0

7.6.1 Digital Volume Control (VOL7:0) Bits 7-0

Default = 00h (0 dB)

Function:

The Digital Volume Control registers allow independent control of the signal levels in 1/2 dB increments from 0 to -127.5 dB. Volume settings are decoded as shown in Table 7. The volume changes are implemented as dictated by the Soft and Zero Cross bits in the Power and Muting Control register. Note that the values in the volume setting column in Table 7 are approximate. The actual attenuation is determined by taking the decimal value of the volume register and multiplying by 6.02/12.

Binary Code	Decimal Value	Volume Setting
00000000	0	0 dB
00000001	1	-0.5 dB
00000110	6	-3.0 dB
11111111	255	-127.5 dB

Table 7. Example Digital Volume Settings

7.7 Ramp and Filter Control - Register 07h

7	6	5	4	3	2	1	0
SZC1	SZC0	RMP_UP	RMP_DN	Reserved	FILT_SEL	Reserved	DIR_DSD
1	0	1	1	0	0	0	0

7.7.1 Soft Ramp AND Zero Cross CONTROL (SZC1:0) Bits 7-6

Default = 10

SZC1	SZC0	PCM Description	DSD Description
0	0	Immediate Change	Immediate Change
0	1	Zero Cross	
1	0	Soft Ramp	Soft Ramp
1	1	Soft Ramp on Zero Crossings	

Function:

Immediate Change

When Immediate Change is selected, all level changes will take effect immediately in one step.

Zero Cross

Zero Cross Enable dictates that signal-level changes, either by attenuation changes or muting, will occur on a signal zero crossing to minimize audible artifacts. The requested level-change will occur after a time-out period between 512 and 1024 sample periods (10.7 ms to 21.3 ms at 48 kHz sample rate) if the signal does not encounter a zero crossing. The zero cross function is independently monitored and implemented for each channel.

Soft Ramp PCM

Soft Ramp allows level changes, both muting and attenuation, to be implemented by incrementally ramping, in 1/8 dB steps, from the current level to the new level at a rate of 1 dB per 8 left/right clock periods.

Soft Ramp DSD

Soft Ramp allows level changes, both muting and attenuation, to be implemented by incrementally ramping, in 1/8 dB steps, from the current level to the new level at a rate of 1 dB per 512 DSD_SCLK periods (1024 periods if 128x DSD_SCLK is used).

Soft Ramp and Zero Cross

Soft Ramp and Zero Cross Enable dictate that signal-level changes, either by attenuation changes or muting, will occur in 1/8 dB steps and be implemented on a signal zero crossing. The 1/8 dB level change will occur after a time-out period between 512 and 1024 sample periods (10.7 ms to 21.3 ms at 48 kHz sample rate) if the signal does not encounter a zero crossing. The zero cross function is independently monitored and implemented for each channel.

7.7.2 **Soft Volume Ramp-Up after Error (RMP_UP) Bit 5**

Function:

An un-mute will be performed after executing an LRCK/MCLK ratio change or error, and after changing the Functional Mode.

When set to 1 (default), this un-mute is affected, similar to attenuation changes, by the Soft and Zero Cross bits in the Volume and Mixing Control register.

When set to 0, an immediate un-mute is performed in these instances.

Notes: For best results, it is recommended that this feature be used in conjunction with the RMP_DN bit.

7.7.3 **Soft Ramp-Down before Filter Mode Change (RMP_DN) Bit 4**

Function:

If either the FILT_SEL or DEM bits are changed the DAC will stop conversion for a period of time to change its filter values. This bit selects how the data is affected prior to and after the change of the filter values.

When set to 1 (default), a mute will be performed prior to executing a filter mode change and an un-mute will be performed after executing the filter mode change. This mute and un-mute are affected, similar to attenuation changes, by the Soft and Zero Cross bits in the Volume and Mixing Control register.

When set to 0, an immediate mute is performed prior to executing a filter mode change.

Notes: For best results, it is recommended that this feature be used in conjunction with the RMP_UP bit.

7.7.4 **Interpolation Filter Select (FILT_SEL) Bit 2**

Function:

When set to 0 (default), the Interpolation Filter has a fast roll off.

When set to 1, the Interpolation Filter has a slow roll off.

The specifications for each filter can be found in the Analog characteristics table, and response plots can be found in figures 20 to 43 found in the “Appendix” on page 41.

7.7.5 **Direct DSD Conversion (DIR_DSD) Bit 0**

Function:

When set to 0 (default), DSD input data is sent to the DSD processor for filtering and volume control functions.

When set to 1, DSD input data is sent directly to the switched capacitor DACs for a pure DSD conversion. In this mode, the full-scale DSD and PCM levels will not be matched (see Section 2), the dynamic range performance may be reduced, the volume control is inactive, and the 50 kHz low pass filter is not available (see Section 2 for filter specifications).

7.8 Misc. Control - Register 08h

7	6	5	4	3	2	1	0
PDN	CPEN	FREEZE	MCLKDIV2	MCLKDIV3	Reserved	Reserved	Reserved
1	0	0	0	0	0	0	0

7.8.1 Power Down (PDN) Bit 7

Function:

When set to 1 (default), the entire device enters a low-power state, and the contents of the control registers is retained. The power-down bit defaults to '1' on power-up and must be disabled before normal operation in Control Port mode can occur. This bit is ignored if CPEN is not set.

7.8.2 Control Port Enable (CPEN) Bit 6

Function:

This bit is set to 0 by default, allowing the device to power-up in Stand-Alone Mode. Control Port Mode can be accessed by setting this bit to 1. This allows operation of the device to be controlled by the registers, and the pin definitions will conform to Control Port Mode.

7.8.3 Freeze Controls (Freeze) Bit 5

Function:

When set to 1, this function allows modifications to be made to the registers without the changes taking effect until FREEZE is set back to 0. To make multiple changes in the Control Port registers take effect simultaneously, enable the FREEZE bit, make all register changes, then disable the FREEZE bit.

When set to 0 (default), register changes take effect immediately.

7.8.4 Master Clock Divide-by-2 ENABLE (MCLKDIV2) Bit 4

Function:

When set to 1, the MCLKDIV bit enables a circuit which divides the externally applied MCLK signal by 2 prior to all other internal circuitry.

When set to 0 (default), MCLK is unchanged.

7.8.5 Master Clock Divide-by-3 ENABLE (MCLKDIV3) Bit 3

Function:

When set to 1, the MCLKDIV bit enables a circuit that divides the externally applied MCLK signal by 3 prior to all other internal circuitry.

When set to 0 (default), MCLK is unchanged.

7.9 Misc. Control - Register 09h

7	6	5	4	3	2	1	0
Reserved	Reserved	Reserved	Reserved	STATIC_DSD	INVALID_DSD	DSD_PM_MODE	DSD_PM_EN
0	0	0	0	1	0	0	0

7.9.1 Static DSD Detect (Static_DSD) Bit 3

Function:

When set to 1 (default), the DSD processor checks for 28 consecutive zeroes or ones and, if detected, sends a mute signal to the DACs. The MUTE pins will eventually go active according to the DAMUTE register.

When set to 0, this function is disabled.

7.9.2 Invalid DSD Detect (Invalid_DSD) Bit 2

Function:

When set to 1, the DSD processor checks for greater than 24 out of 28 bits of the same value and, if detected, will attenuate the data sent to the DACs. The MUTE pins go active according to the DAMUTE register.

When set to 0 (default), this function is disabled.

7.9.3 DSD Phase Modulation Mode Select (DSD_PM_mode) Bit 1

Function:

When set to 0 (default), the 128Fs (BCKA) clock should be input to DSD_SCLK for phase modulation mode. (See Figure 13 on page 24)

When set to 1, the 64Fs (BCKD) clock should be input to DSD_SCLK for phase modulation mode.

7.9.4 DSD Phase Modulation Mode Enable (DSD_PM_EN) Bit 0

Function:

When set to 1, DSD phase modulation input mode is enabled and the DSD_PM_MODE bit should be set accordingly.

When set to 0 (default), this function is disabled (DSD normal mode).

8. PARAMETER DEFINITIONS

Total Harmonic Distortion + Noise (THD+N)

THD+N is the ratio of the rms value of the signal to the rms sum of all other spectral components over the specified bandwidth (typically 10 Hz to 20 kHz), including distortion components. Expressed in decibels.

Dynamic Range

The ratio of the full-scale rms value of the signal to the rms sum of all other spectral components over the specified bandwidth. Dynamic range is a signal-to-noise measurement over the specified bandwidth made with a -60 dBFS signal. 60 dB is then added to the resulting measurement to refer the measurement to full scale. This technique ensures that the distortion components are below the noise level and do not affect the measurement. This measurement technique has been accepted by the Audio Engineering Society, AES17-1991, and the Electronic Industries Association of Japan, EIAJ CP-307.

Interchannel Isolation

A measure of crosstalk between the left and right channels. Measured for each channel at the converter's output with all zeros to the input under test and a full-scale signal applied to the other channel. Units in decibels.

Interchannel Gain Mismatch

The gain difference between left and right channels. Units in decibels.

Gain Error

The deviation from the nominal full-scale analog output for a full-scale digital input.

Gain Drift

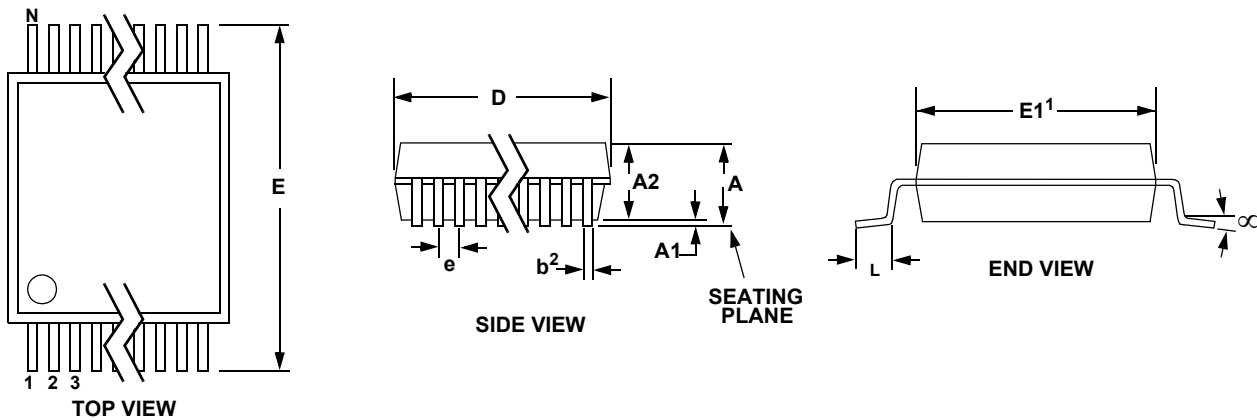
The change in gain value with temperature. Units in ppm/°C.

9. REFERENCES

1. CDB4398 Evaluation Board Datasheet
2. "Design Notes for a 2-Pole Filter with Differential Input". Cirrus Logic Application Note AN48
3. The I²C-Bus Specification: Version 2.0" Philips Semiconductors, December 1998.
<http://www.semiconductors.philips.com> "

10. PACKAGE DIMENSIONS

10.1 28-TSSOP



DIM	Inches			Millimeters			Note
	MIN	NOM	MAX	MIN	NOM	MAX	
A	--	--	0.47	--	--	1.20	
A1	0.002	0.004	0.006	0.05	0.10	0.15	
A2	0.03150	0.035	0.04	0.80	0.90	1.00	
b	0.00748	0.0096	0.012	0.19	0.245	0.30	2,3
D	0.378 BSC	0.382 BSC	0.386 BSC	9.60 BSC	9.70 BSC	9.80 BSC	1
E	0.248	0.2519	0.256	6.30	6.40	6.50	
E1	0.169	0.1732	0.177	4.30	4.40	4.50	1
e	--	0.026 BSC	--	--	0.65 BSC	--	
L	0.020	0.024	0.029	0.50	0.60	0.75	
μ	0°	4°	8°	0°	4°	8°	

JEDEC #: MO-153

Controlling Dimension is Millimeters.

Figure 19. 28L TSSOP (4.4 mm Body) Package Drawing

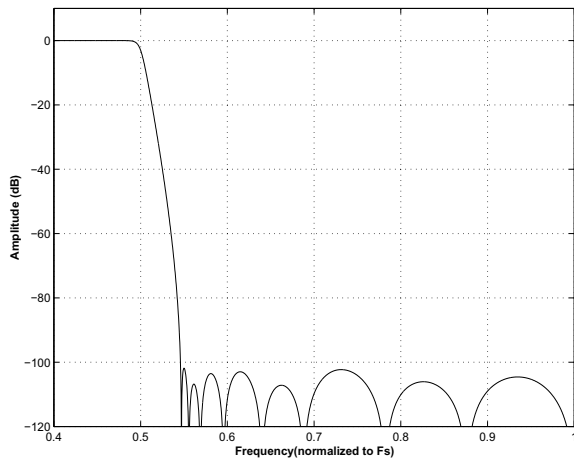
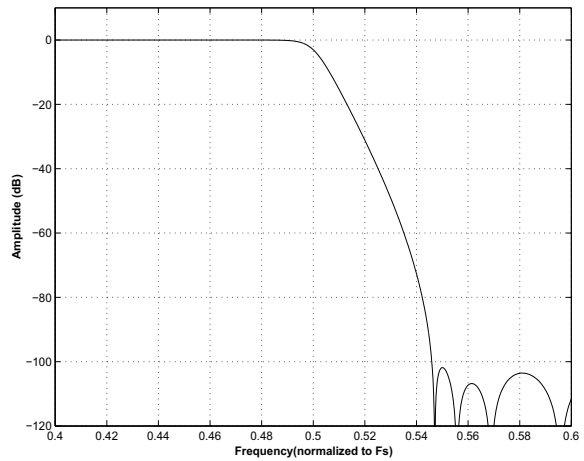
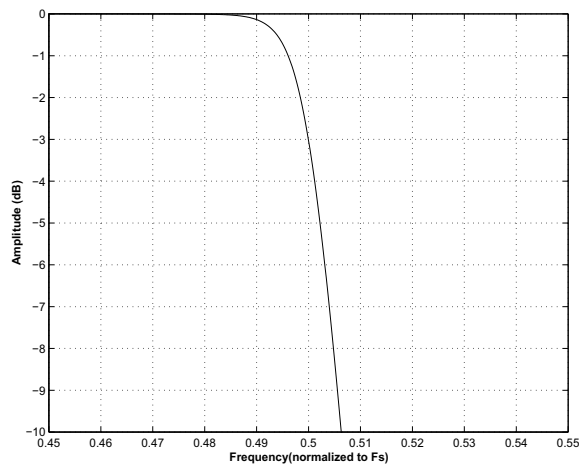
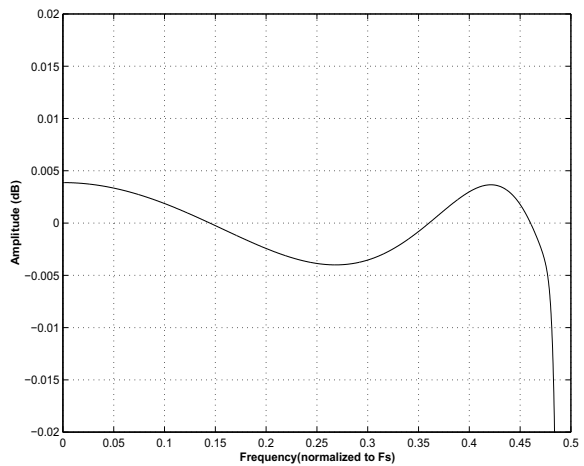
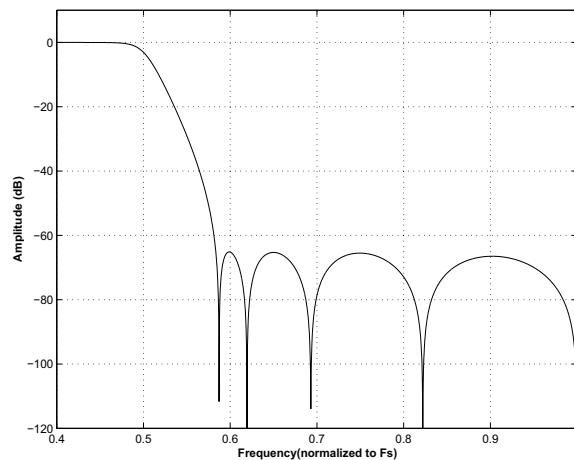
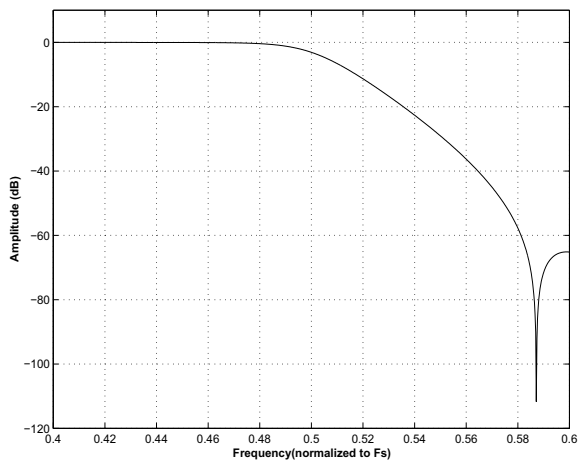
Notes:

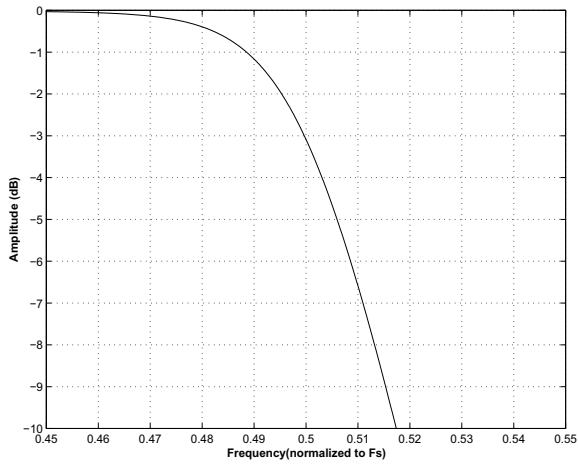
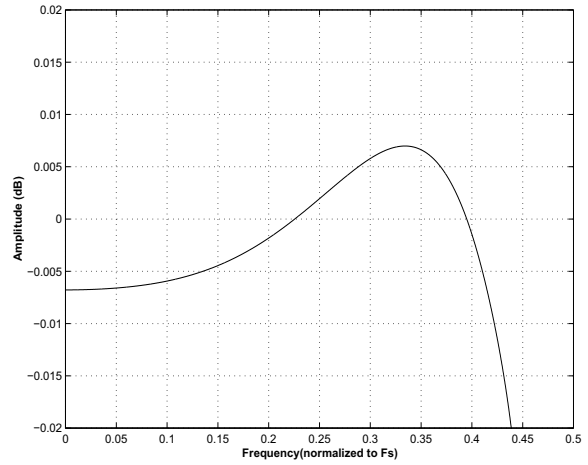
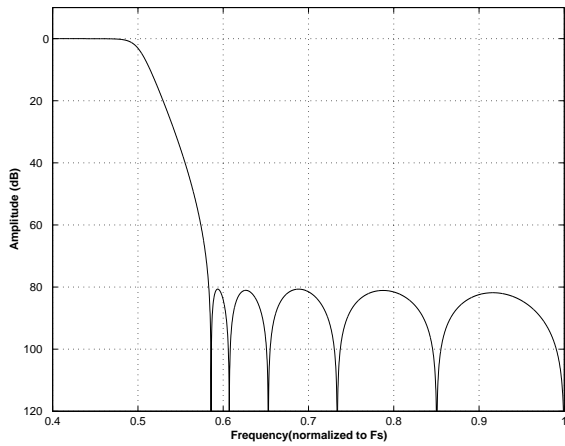
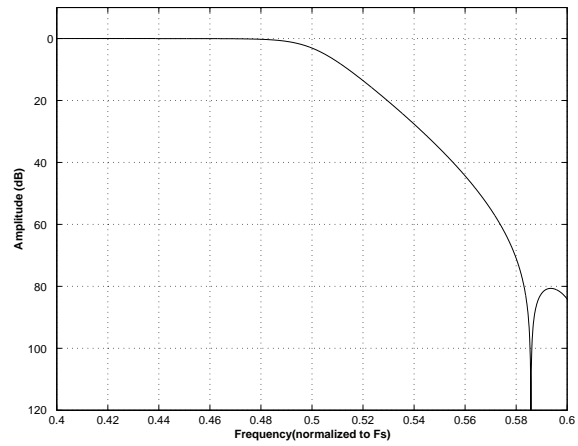
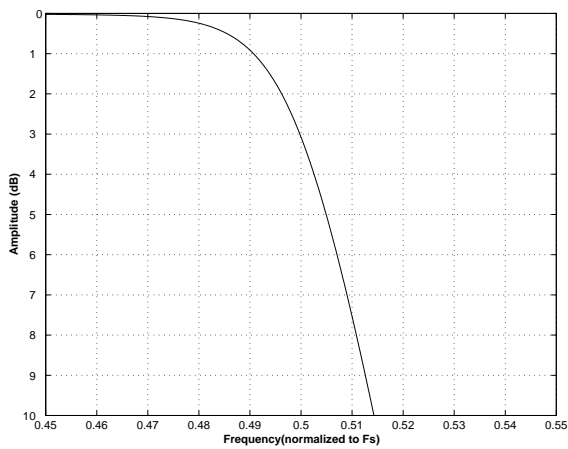
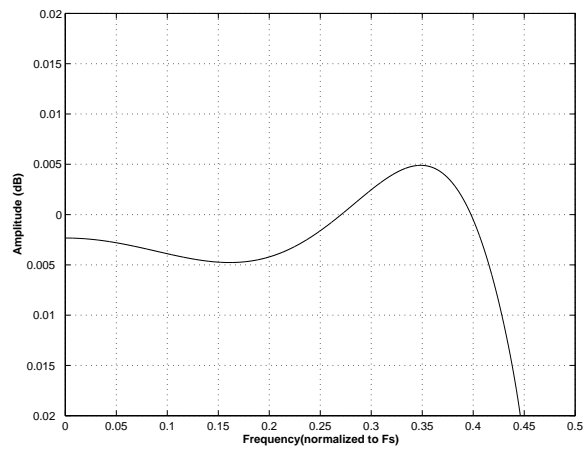
1. "D" and "E1" are reference datums and do not include mold flash or protrusions, but do include mold mismatch and are measured at the parting line. Mold flash or protrusions shall not exceed 0.20 mm per side.
2. Dimension "b" does not include dambar protrusion/intrusion. Allowable dambar protrusion shall be 0.13 mm total in excess of "b" dimension at maximum material condition. Dambar intrusion shall not reduce dimension "b" by more than 0.07 mm at least material condition.
3. These dimensions apply to the flat section of the lead between 0.10 and 0.25 mm from lead tips.

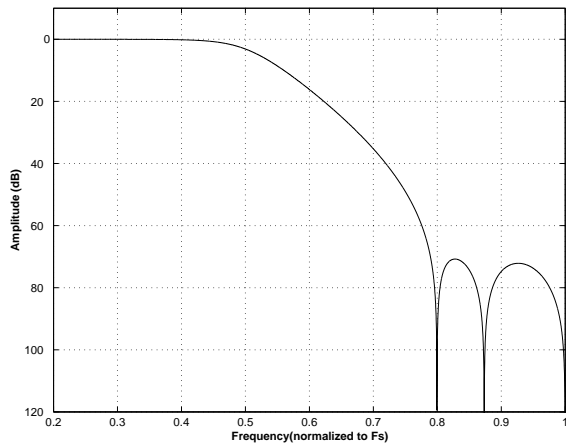
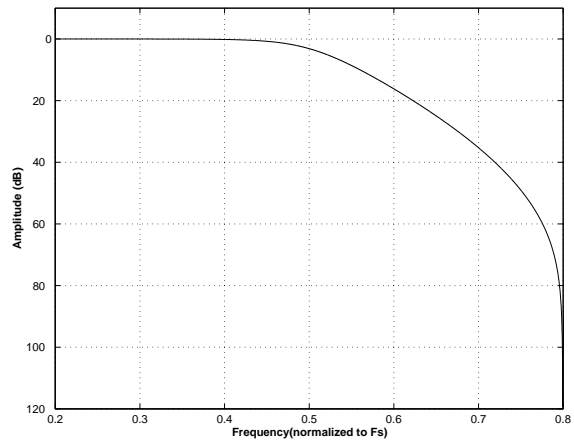
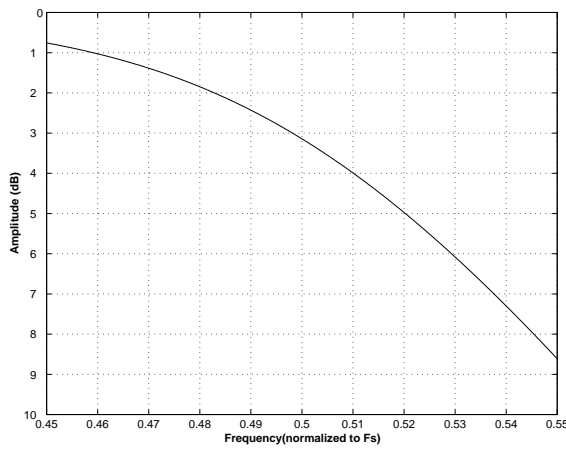
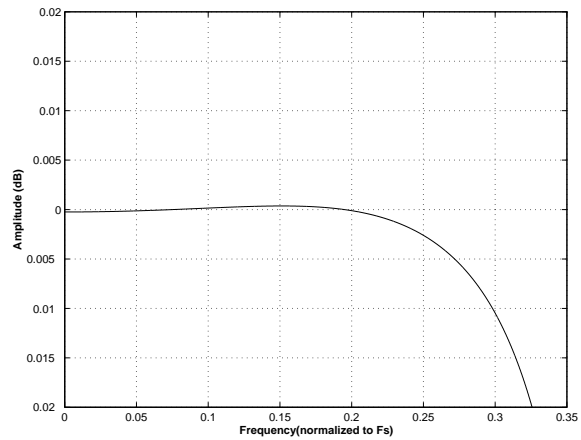
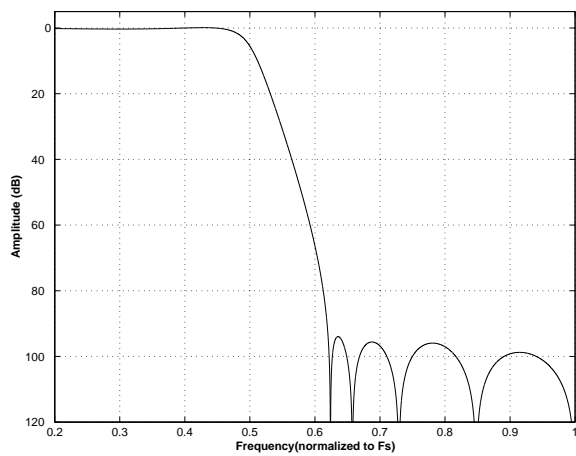
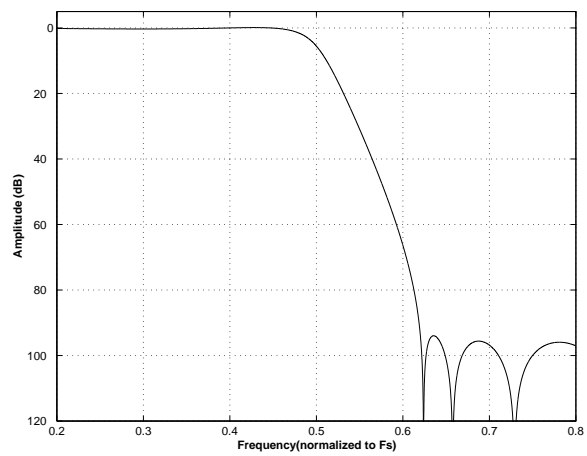
THERMAL CHARACTERISTICS AND SPECIFICATIONS

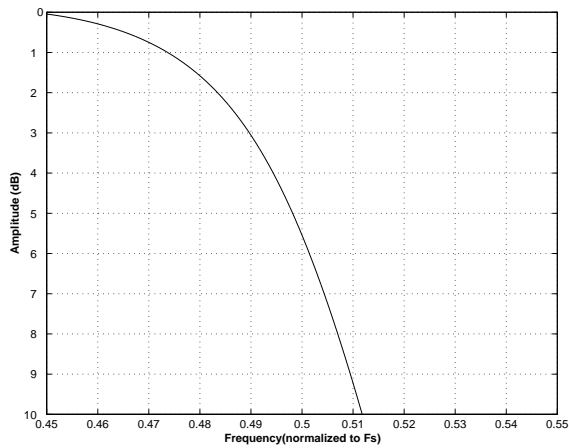
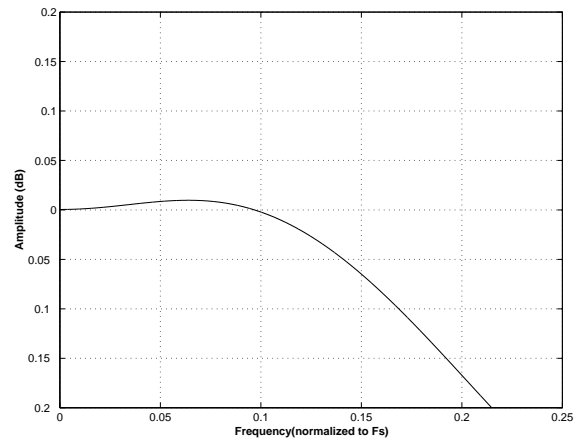
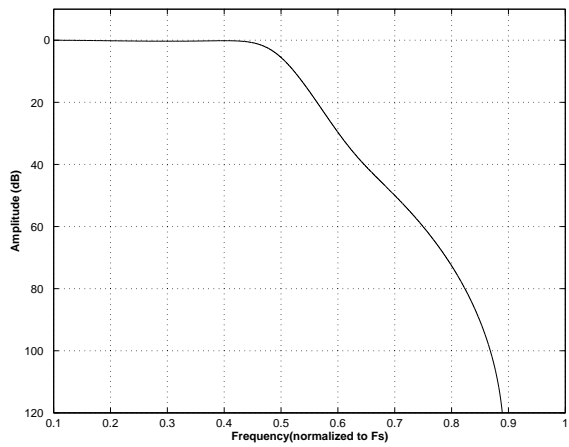
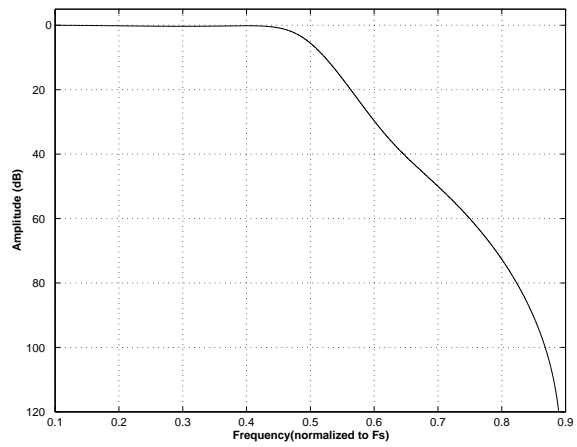
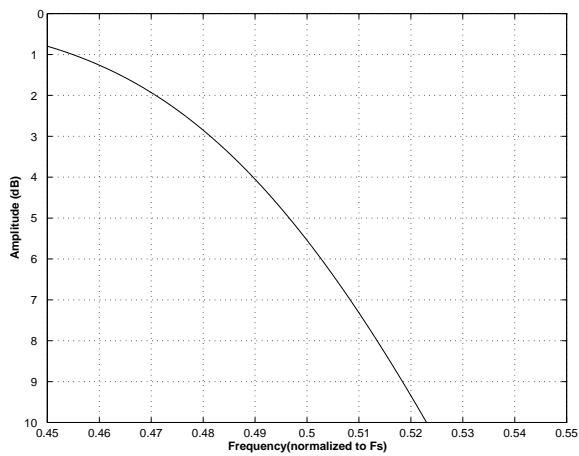
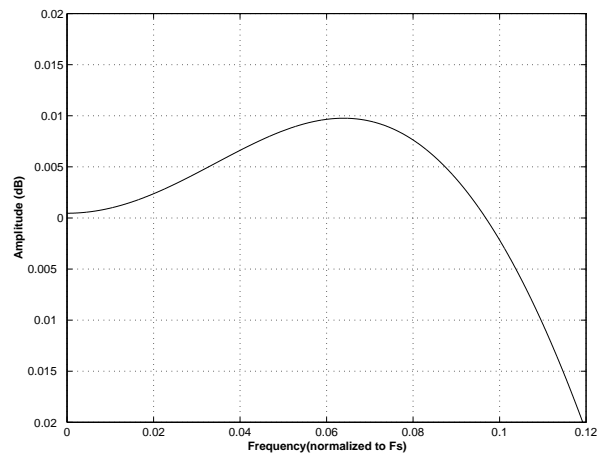
Parameters	Symbol	Min	Typ	Max	Units
Package Thermal Resistance (Note 1)	28-TSSOP				
	θ_{JA}	-	37	-	°C/Watt
	θ_{JC}	-	13	-	°C/Watt

1. θ_{JA} is specified according to JEDEC specifications for multi-layer PCBs.

11.APPENDIX

Figure 20. Single-Speed (fast) Stopband Rejection

Figure 21. Single-Speed (fast) Transition Band

Figure 22. Single-Speed (fast) Transition Band (detail)

Figure 23. Single-Speed (fast) Passband Ripple

Figure 24. Single-Speed (slow) Stopband Rejection

Figure 25. Single-Speed (slow) Transition Band


Figure 26. Single-Speed (slow) Transition Band (detail)

Figure 27. Single-Speed (slow) Passband Ripple

Figure 28. Double-Speed (fast) Stopband Rejection

Figure 29. Double-Speed (fast) Transition Band

Figure 30. Double-Speed (fast) Transition Band (detail)

Figure 31. Double-Speed (fast) Passband Ripple


Figure 32. Double-Speed (slow) Stopband Rejection

Figure 33. Double-Speed (slow) Transition Band

Figure 34. Double-Speed (slow) Transition Band (detail)

Figure 35. Double-Speed (slow) Passband Ripple

Figure 36. Quad-Speed (fast) Stopband Rejection

Figure 37. Quad-Speed (fast) Transition Band


Figure 38. Quad-Speed (fast) Transition Band (detail)

Figure 39. Quad-Speed (fast) Passband Ripple

Figure 40. Quad-Speed (slow) Stopband Rejection

Figure 41. Quad-Speed (slow) Transition Band

Figure 42. Quad-Speed (slow) Transition Band (detail)

Figure 43. Quad-Speed (slow) Passband Ripple

Release	Date	Changes
F1	July 2005	Changed datasheet status to Final. Updated legal text.
F2	Mar 2015	Added order numbers for QFN packages on Ordering Information . Added pinout figures and numbers for QFN package in Section 1 “ Pinout Drawing .” Updated footnote in Analog Characteristics table. Added package dimensions figure and table in Section 10.2. Added QFN entry in Thermal Characteristics and Specifications table. Updated legal text.
F3	May 2021	Corrected DSD_SCLK pulse width spec in Switching Characteristics- DSD . Removed QFN package. Updated the important notice section on the last page.

Table 8. Revision Table

Contacting Cirrus Logic Support

For all product questions and inquiries, contact a Cirrus Logic Sales Representative.
To find the one nearest you, go to www.cirrus.com.

IMPORTANT NOTICE

The products and services of Cirrus Logic International (UK) Limited; Cirrus Logic, Inc.; and other companies in the Cirrus Logic group (collectively either “Cirrus Logic” or “Cirrus”) are sold subject to Cirrus Logic’s terms and conditions of sale supplied at the time of order acknowledgment, including those pertaining to warranty, indemnification, and limitation of liability. Software is provided pursuant to applicable license terms. Cirrus Logic reserves the right to make changes to its products and specifications or to discontinue any product or service without notice. Customers should therefore obtain the latest version of relevant information from Cirrus Logic to verify that the information is current and complete. Testing and other quality control techniques are utilized to the extent Cirrus Logic deems necessary. Specific testing of all parameters of each device is not necessarily performed. In order to minimize risks associated with customer applications, the customer must use adequate design and operating safeguards to minimize inherent or procedural hazards. Cirrus Logic is not liable for applications assistance or customer product design. The customer is solely responsible for its overall product design, end-use applications, and system security, including the specific manner in which it uses Cirrus Logic components. Certain uses or product designs may require an intellectual property license from a third party. Features and operations described herein are for illustrative purposes only and do not constitute a suggestion or instruction to adopt a particular product design or a particular mode of operation for a Cirrus Logic component.

CERTAIN APPLICATIONS USING SEMICONDUCTOR PRODUCTS MAY INVOLVE POTENTIAL RISKS OF DEATH, PERSONAL INJURY, OR SEVERE PROPERTY OR ENVIRONMENTAL DAMAGE (“CRITICAL APPLICATIONS”). CIRRUS LOGIC PRODUCTS ARE NOT DESIGNED, AUTHORIZED OR WARRANTED FOR USE IN PRODUCTS SURGICALLY IMPLANTED INTO THE BODY, AUTOMOTIVE SAFETY OR SECURITY DEVICES, NUCLEAR SYSTEMS, LIFE SUPPORT PRODUCTS OR OTHER CRITICAL APPLICATIONS. INCLUSION OF CIRRUS LOGIC PRODUCTS IN SUCH APPLICATIONS IS UNDERSTOOD TO BE FULLY AT THE CUSTOMER’S RISK AND CIRRUS LOGIC DISCLAIMS AND MAKES NO WARRANTY, EXPRESS, STATUTORY OR IMPLIED, INCLUDING THE IMPLIED WARRANTIES OF MERCHANTABILITY AND FITNESS FOR PARTICULAR PURPOSE, WITH REGARD TO ANY CIRRUS LOGIC PRODUCT THAT IS USED IN SUCH A MANNER. IF THE CUSTOMER OR CUSTOMER’S CUSTOMER USES OR PERMITS THE USE OF CIRRUS LOGIC PRODUCTS IN CRITICAL APPLICATIONS, CUSTOMER AGREES, BY SUCH USE, TO FULLY INDEMNIFY CIRRUS LOGIC, ITS OFFICERS, DIRECTORS, EMPLOYEES, DISTRIBUTORS AND OTHER AGENTS FROM ANY AND ALL LIABILITY, INCLUDING ATTORNEYS’ FEES AND COSTS, THAT MAY RESULT FROM OR ARISE IN CONNECTION WITH THESE USES.

This document is the property of Cirrus Logic, and you may not use this document in connection with any legal analysis concerning Cirrus Logic products described herein. No license to any technology or intellectual property right of Cirrus Logic or any third party is granted herein, including but not limited to any patent right, copyright, mask work right, or other intellectual property rights. Any provision or publication of any third party’s products or services does not constitute Cirrus Logic’s approval, license, warranty or endorsement thereof. Cirrus Logic gives consent for copies to be made of the information contained herein only for use within your organization with respect to Cirrus Logic integrated circuits or other products of Cirrus Logic, and only if the reproduction is without alteration and is accompanied by all associated copyright, proprietary and other notices and conditions (including this notice). This consent does not extend to other copying such as copying for general distribution, advertising or promotional purposes, or for creating any work for resale. This document and its information is provided “AS IS” without warranty of any kind (express or implied). All statutory warranties and conditions are excluded to the fullest extent possible. No responsibility is assumed by Cirrus Logic for the use of information herein, including use of this information as the basis for manufacture or sale of any items, or for infringement of patents or other rights of third parties. Cirrus Logic, Cirrus, the Cirrus Logic logo design, and SoundClear are among the trademarks of Cirrus Logic. Other brand and product names may be trademarks or service marks of their respective owners.

Copyright © 2005–2021 Cirrus Logic, Inc. and Cirrus Logic International Semiconductor Ltd. All rights reserved.

SPI is a trademark of Motorola.