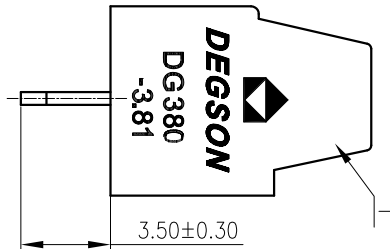
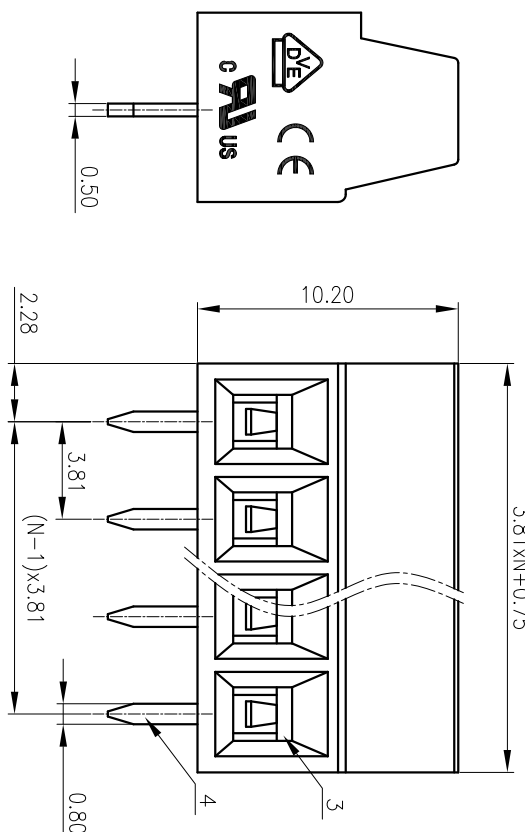


P.C.B. LAYOUT



公差/General tolerances(mm)		公差/General tolerances(mm)	
0	>3	>6	>10
~	~	~	~
3	6	10	18
±0.12	±0.18	±0.22	±0.26
±0.31	±0.37	±0.57	±0.80
±1.05	±1.15	±1.60	±2.20
±2.50	±2.50	±2.50	±2.50
0.1/10	0.1/10	0.1/10	0.1/10
±2	±2	±2	±2

REV	EON	DESCRIPTION	DRAFT	DATE

<b>DEGSON</b>		MATERIAL:	SURFACE COLOR:
APPD:	/	MAT NO. REV:	/
CHKD:	ZYH	DATE:	2022.11.28
DRAFT:	CDH	SCALE:	4:1
DRAWING NO. DG380-3.81-XXP-1Y-00L(H)		DRAWING STATUS	
TYPE CUSTOMER DRAWING		SHEET 1/1	

ITEM	NAME OF PART	MATERIAL	NOTES
4	Pin header	Copper alloy	Sn Plated
3	Cage	Copper alloy	M2/Ni Plated
2	Screw	Steel	M2/Zn Plated
1	Housing	PA66	UL94V-0

UL 标准/UL Standard:	B	C	D
额定电压/Rated Voltage(V)	300/12	/	300/10
额定电流/Rated Current(A)	3	2	2
IEC 标准/IEC Standard:	III/3	III/2	II/2
过压类别/Overvoltage Category/污染等级/Pollution Degree	III/3	III/2	II/2
额定电压/电流/Rated Voltage(V)/Current(A)	250/16	250/16	250/16
额定脉冲电压(KV)/Rate Impulse Voltage(KV)	2.5	2.5	2.5
额定扭矩/Torque Tightening(N·m/Lb·in)	M2: 0.2/2.0		
绞线范围(硬线和软线)/Wire Range(rigid and flexible)(AWG/mm <sup>2</sup> )	30~14/0.2~1.5		
间距/Pitch(mm)/绞线范围/Poles	3.81/N=02~24P		
剥线长度/Stripping length(mm)	5~6		
使用温度范围/Operating Temperature(°C)	-40~+105		
符合RoHS环保要求/Conform to RoHS	Yes		