



F2781Y Series



1. Features :

- Low Voltage Dataline filter design to provide clean power into Shielded / MRI rooms. The filters are designed with minimum leakage current to ground and provide 100dB attenuation from 1MHz to 10GHz, Pass Band 0-100KHz.
- Voltage Rating: 60V
- Current Rated: 2.5-5 amp *For UL 1863 the filter is rated at 1.6 amps*
- Frequency: DC to 60Hz
- Hi-Pot: Line to Ground: 1000VDC for 2 sec
Line to Line: VDC for 2 sec
- Ambient Temperature Range: -25°C To +85°C
- Filter components are encapsulated in a plated metal enclosure
- Ideal for Fire Alarm, LED Lighting, Datalines and other low power applications
- Leakage Current: 5mA @ 60VAC 60Hz
- UL Listed



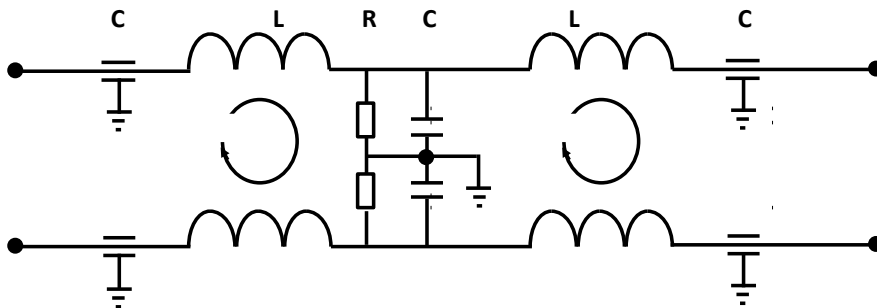
2. Electrical Characteristics :

| ITG Part Number | Operating Current *(A) at 60°C | Output terminal(AWG) | Output Lines |
|-----------------|--------------------------------|----------------------|--------------|
| F2781Y002L-011 | 2.5 * | 20 | 2 |
| F2781Y002L-013 | 2.5* | 20 | 6 |
| F2781Y002L-014 | 2.5* | 20 | 8 |
| F2781Y005L-011 | 5.0* | 16 | 2 |
| F2781Y005L-013 | 5.0* | 16 | 6 |
| F2781Y005L-014 | 5.0* | 16 | 8 |

For UL 1863 all the above filters are rated at 1.6 amps

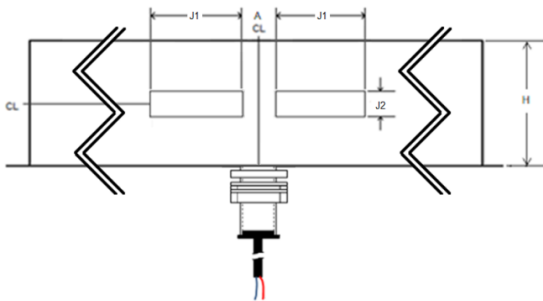
3. Schematic:

Per Channel



4. Mechanical Dimensions in mm, ±2mm:

| ITG Part Number | L | W1 | W2 | W3 | H | J1 | J2 | K |
|-----------------|-------|-------|-------|-------|------|-----|-----|------|
| F2781Y00XL-011 | 155.0 | 70.0 | 80.0 | 100.0 | 45.0 | 5.0 | 7.0 | 18.0 |
| F2781Y00XL-013 | 155.0 | 210.0 | 220.0 | 240.0 | 45.0 | 5.0 | 7.0 | 18.0 |
| F2781Y00XL-014 | 155.0 | 280.0 | 290.0 | 310.0 | 45.0 | 5.0 | 7.0 | 18.0 |



Installation Guide

