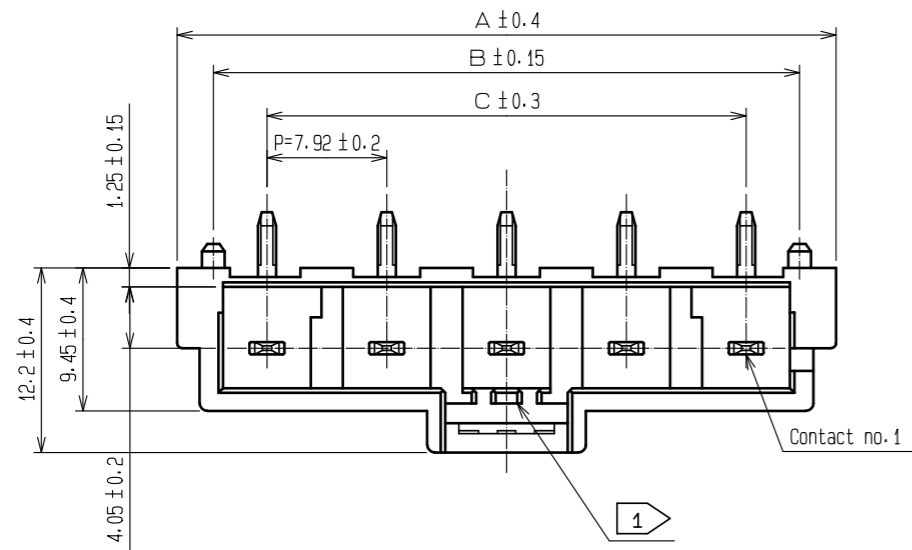
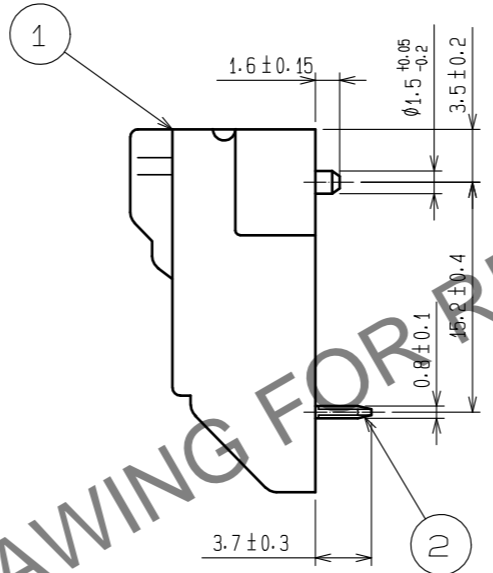
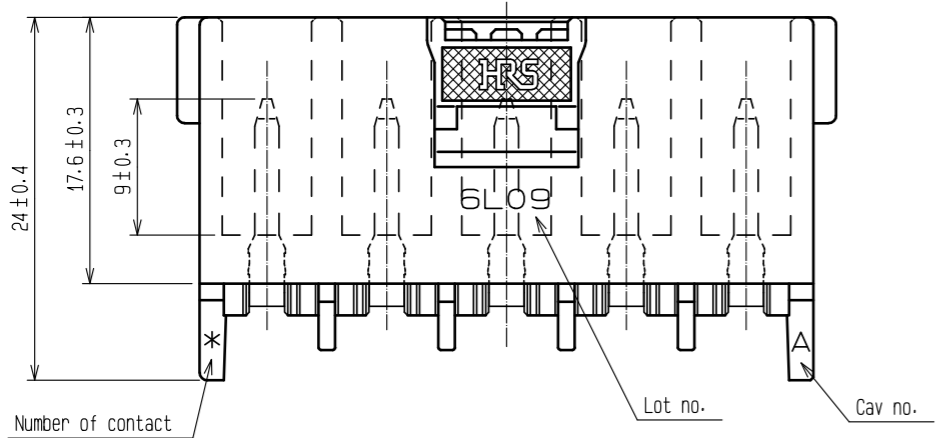
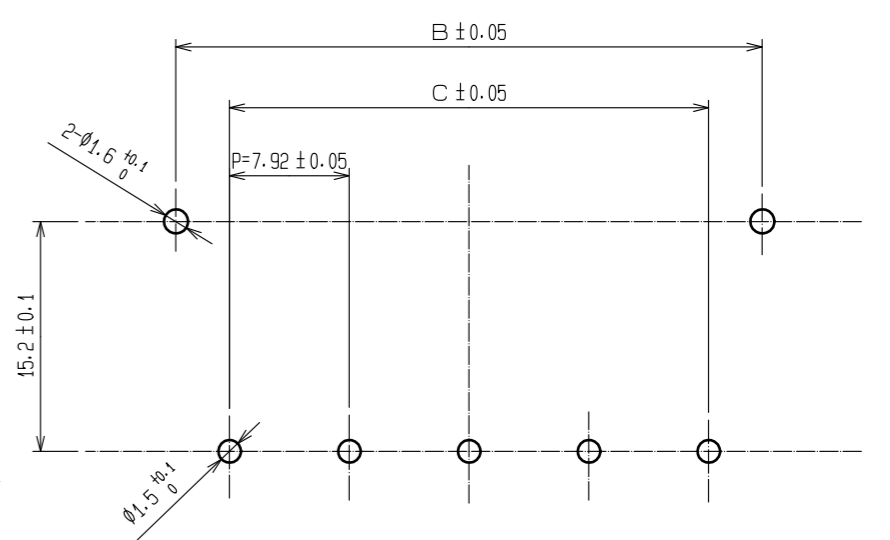


Sep.1.2024 Copyright 2024 HIROSE ELECTRIC CO., LTD. All Rights Reserved.
In case of consideration for using Automotive equipment / device which demand high reliability, kindly contact our sales window correspondents.

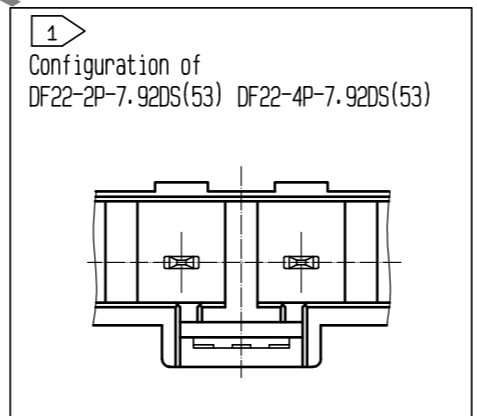
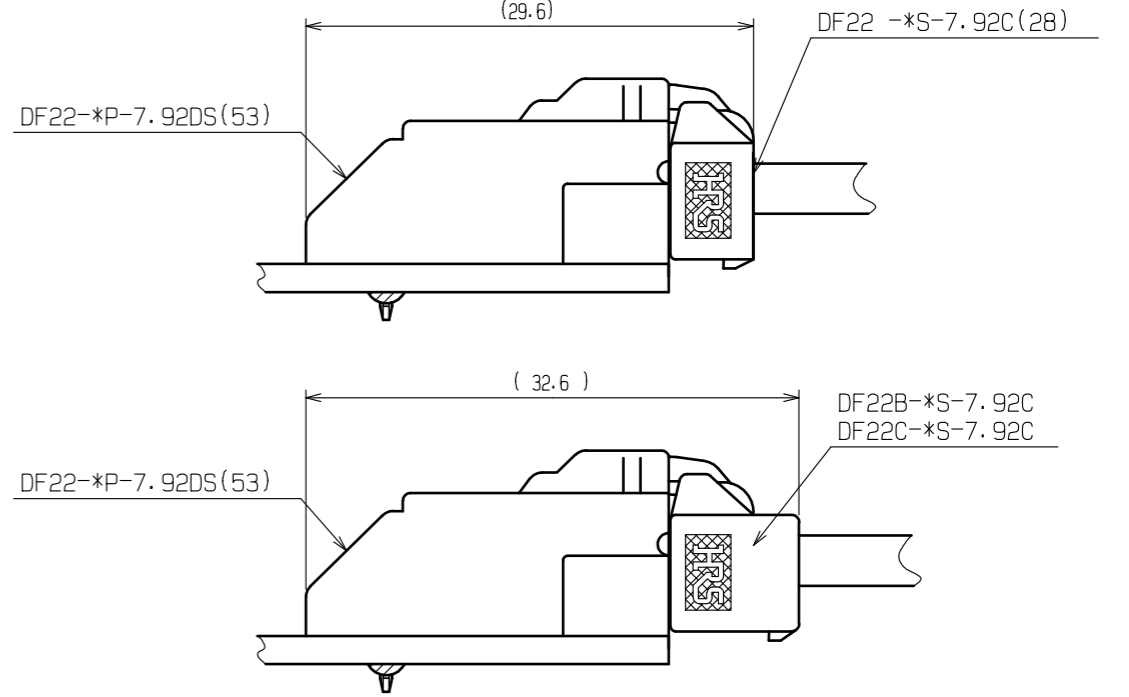


| Part no. | Code no. | Number of contact | A | B | C |
|--------------------|-----------------|-------------------|-------|-------|-------|
| DF22-2P-7.92DS(53) | CL680-1008-5-53 | 2 | 19.80 | 15.00 | 7.92 |
| DF22-3P-7.92DS(53) | CL680-1009-8-53 | 3 | 27.72 | 22.92 | 15.84 |
| DF22-4P-7.92DS(53) | CL680-1010-7-53 | 4 | 35.64 | 30.84 | 23.76 |
| DF22-5P-7.92DS(53) | CL680-1011-0-53 | 5 | 43.56 | 38.76 | 31.68 |

Recommended PCB layout (PCB thickness:1.6mm)



Application diagram



Notes 1) TWO AND FOUR CONTACTS ARE DIFFERENT SHAPE AS SHOWN.
2. UL (File no. E52653)
C-UL (File no. E52653)
TUV (Certificate no. R9950703)



3:PER PACK:100PIECES

| 1 | Polyamide | Natural (beige), UL94V-0 | 2 | Copper alloy | Contact area:Gold plating 0.2μm min Lead area:Tin plating 1μm min Under plating:Nickel plating 1μm min Other:Nickel plating 1μm min | | | |
|------------------------|-----------|--------------------------|-------|--------------|--|--------------------|---------|------|
| NO. | MATERIAL | FINISH . REMARKS | NO. | MATERIAL | FINISH . REMARKS | | | |
| UNITS | mm | SCALE | 2 : 1 | COUNT | DESCRIPTION OF REVISIONS | DESIGNED | CHECKED | DATE |
| APPROVED : HS. OKAWA | | 20200309 | | DRAWING NO. | | EDC-163718-53-00 | | |
| CHECKED : SZ. ONO | | 20200309 | | PART NO. | | DF22-*P-7.92DS(53) | | |
| DESIGNED : SN. MIWA | | 20200309 | | CODE NO. | | CL680- | | |
| DRAWN : DS. HIROWATARI | | 20200306 | | | | | | |

Sep.1.2024 Copyright 2024 HIROSE ELECTRIC CO., LTD. All Rights Reserved.
In case of consideration for using Automotive equipment / device which demand high reliability, kindly contact our sales window correspondents.

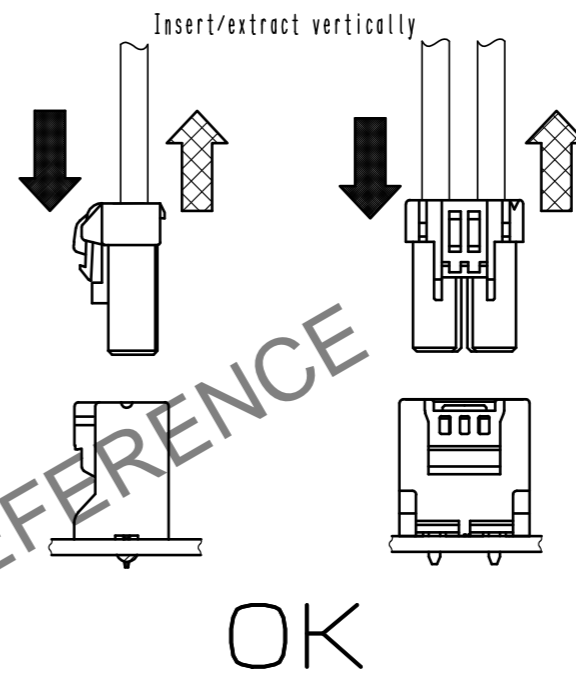
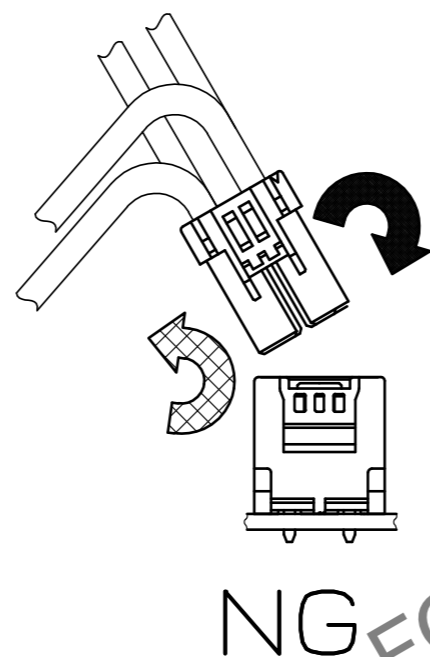
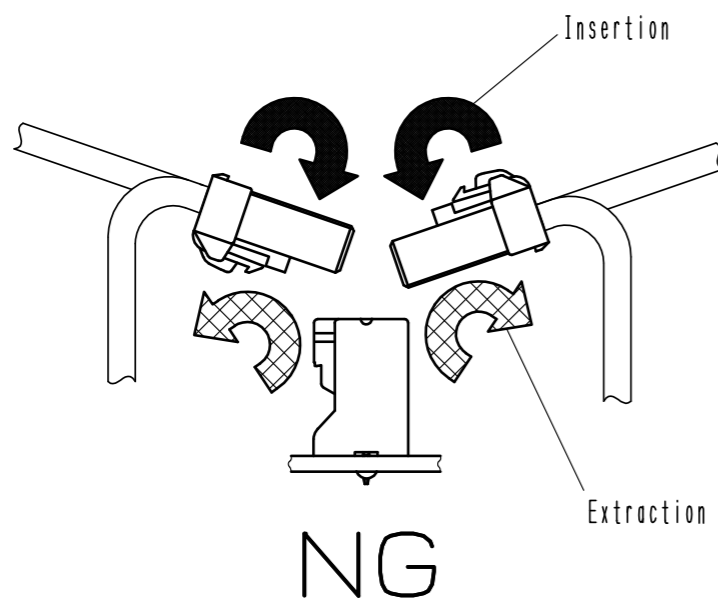
Precautions

Notification for Insertion/Extraction

- 1) Please insert/extract the crimping socket straight to the mating connector.
Insertion/Extraction at tilted angles applies load concentration to the connector end and may cause deformation (at connection area, socket and header case, etc). There is a firing risk using this kind of deformed connector.



Insertion/Extraction

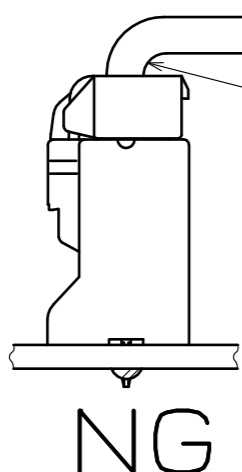


- 2) When it is hard to extract, please lightly insert the connector beforehand and then pull it with releasing the lock.
Forced extraction has a risk of connector breakage.

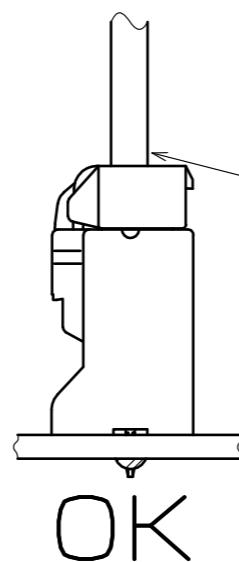
Notification of wiring



- 1) When using a thick cable, short cable length and bending close to the connector end, these load concentrations may cause deformation.
Please note that there is a firing risk using a deformed connector.
When installing, please refrain from stress concentration such as cable bending close to the connector end or cable twisting.



Stress concentration;
Cable bending close to connector



No stress concentration;
No cable bending close to connector



- 2) Since this product uses thick wires, a larger load is applied to the connector when inserting/extracting or routing the wires.
Please use a retainer to reduce the load on the connector.

| | | |
|------------|-------------|--------------------|
| HRS | DRAWING NO. | EDC-163718-53-00 |
| | PART NO. | DF22-*P-7.92DS(53) |
| | CODE NO. | CL680- |
| | | 2/2 |