

## Product Specifications

## Part Numbers Information

### Electrical Specifications

Voltage Rating: 250VAC

Operating Temperature: -55°C ~ 125°C

### Standards

100mA-2.5A (250VAC)

3A-8A (125VAC)

3A-8A (250VAC)

Tested to UL 248-14 Standard. File E197390

Tested to CSA C22.2 No.248.14 Standard. File E197390



### Interrupting Rating

10kA @ 125VAC (32mA-8A)

35A @ 250VAC (32mA-1A)

100A @ 250VAC (1.2A-3.5A)

200A @ 250VAC (4A-8A)

100A @ 125VAC (1A-15A) PSE (FSC)

500A @ 125VAC (1A-15A) PSE (FSC-P)

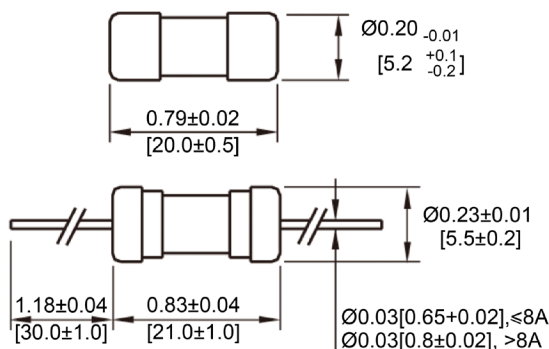
100A @ 250VAC (1A-15A) PSE

100A @ 250VAC (100mA-7A) KC

### Material Specifications

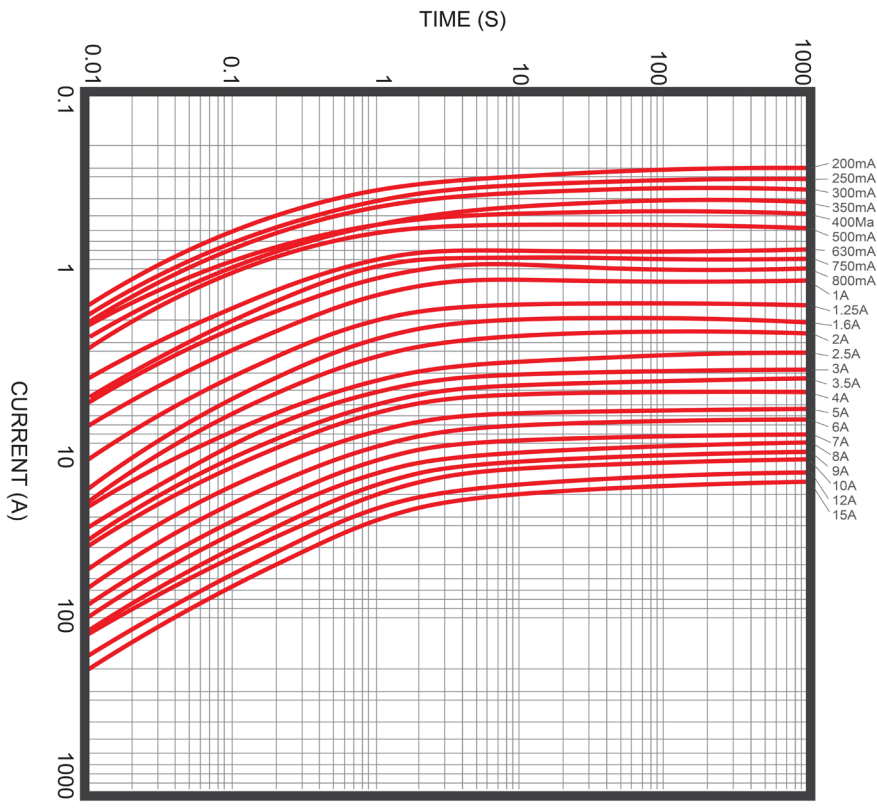
Body Material: Glass

### Mechanical Dimensions: Inches [mm]



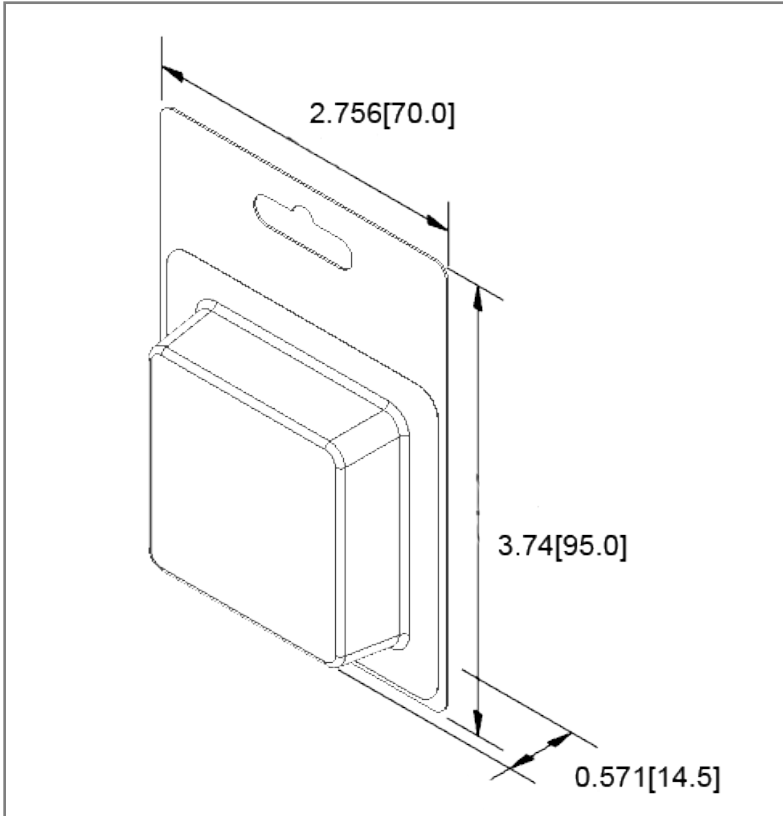
Cartridge P/N	Axial Lead P/N	Ampere Rating	I <sup>2</sup> T Reference (A <sup>2</sup> Sec)
FSC-100mA	FSC-P-100mA	100mA	-
FSC-125mA	FSC-P-125mA	125mA	-
FSC-150mA	FSC-P-150mA	150mA	-
FSC-160mA	FSC-P-160mA	160mA	-
FSC-200mA	FSC-P-200mA	200mA	0.02697
FSC-250mA	FSC-P-250mA	250mA	0.03371
FSC-300mA	FSC-P-300mA	300mA	0.04045
FSC-315mA	FSC-P-315mA	315mA	0.04247
FSC-400mA	FSC-P-400mA	400mA	-
FSC-500mA	FSC-P-500mA	500mA	0.07681
FSC-600mA	FSC-P-600mA	600mA	0.1224
FSC-630mA	FSC-P-630mA	630mA	0.179
FSC-750mA	FSC-P-750mA	750mA	0.304
FSC-800mA	FSC-P-800mA	800mA	0.355
FSC-1A	FSC-P-1A	1A	0.6167
FSC-1.2A	FSC-P-1.2A	1.2A	1.4
FSC-1.25A	FSC-P-1.25A	1.25A	1.54
FSC-1.5A	FSC-P-1.5A	1.5A	2.067
FSC-1.6A	FSC-P-1.6A	1.6A	3.45
FSC-2A	FSC-P-2A	2A	5.149
FSC-2.5A	FSC-P-2.5A	2.5A	5.761
FSC-3A	FSC-P-3A	3A	9.722
FSC-3.15A	FSC-P-3.15A	3.15A	9.835
FSC-3.5A	FSC-P-3.5A	3.5A	13.52
FSC-4A	FSC-P-4A	4A	15.8
FSC-5A	FSC-P-5A	5A	29.11
FSC-6A	FSC-P-6A	6A	47.42
FSC-6.3A	FSC-P-6.3A	6.3A	59.24
FSC-7A	FSC-P-7A	7A	73.1
FSC-8A	FSC-P-8A	8A	100
FSC-9A	FSC-P-9A	9A	153.9
FSC-10A	FSC-P-10A	10A	171
FSC-12A	FSC-P-12A	12A	306.2
FSC-15A	FSC-P-15A	15A	382.8
FSC-16A	FSC-P-16A	16A	-
FSC-18A	FSC-P-18A	18A	-
FSC-20A	FSC-P-20A	20A	-

Time vs Percent of Rated Current

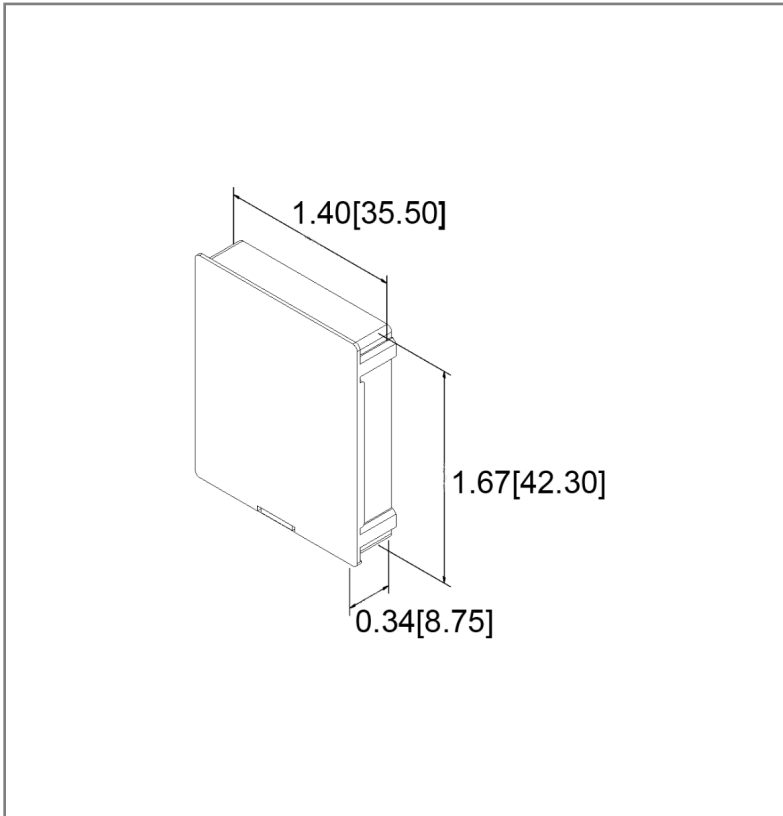


% of Rated Current	Min Hold Time	Max Hold Time
100%	4 Hr	-
135%	-	1 Hr
200%	-	5s

**Blister Pack: Inches [mm]**



**Pill Box: Inches [mm]**



**Retail Pack Part Number Information**

Ampere Rating	Retail Pack # Blister Card (5PCS)	Retail Pack # Pill Box (5PCS)
100mA	FSC-100mA-BP	FSC-100mA-BX
125mA	FSC-125mA-BP	FSC-125mA-BX
150mA	FSC-150mA-BP	FSC-150mA-BX
160mA	FSC-160mA-BP	FSC-160mA-BX
200mA	FSC-200mA-BP	FSC-200mA-BX
250mA	FSC-250mA-BP	FSC-250mA-BX
300mA	FSC-300mA-BP	FSC-300mA-BX
315mA	FSC-315mA-BP	FSC-315mA-BX
500mA	FSC-500mA-BP	FSC-500mA-BX
600mA	FSC-600mA-BP	FSC-600mA-BX
630mA	FSC-630mA-BP	FSC-630mA-BX
750mA	FSC-750mA-BP	FSC-750mA-BX
800mA	FSC-800mA-BP	FSC-800mA-BX
1A	FSC-1A-BP	FSC-1A-BX
1.25A	FSC-1.25A-BP	FSC-1.25A-BX
1.5A	FSC-1.5A-BP	FSC-1.5A-BX
1.6A	FSC-1.6A-BP	FSC-1.6A-BX
2A	FSC-2A-BP	FSC-2A-BX
2.5A	FSC-2.5A-BP	FSC-2.5A-BX
3A	FSC-3A-BP	FSC-3A-BX
3.15A	FSC-3.15A-BP	FSC-3.15A-BX
3.5A	FSC-3.5A-BP	FSC-3.5A-BX
4A	FSC-4A-BP	FSC-4A-BX
5A	FSC-5A-BP	FSC-5A-BX
6A	FSC-6A-BP	FSC-6A-BX
6.3A	FSC-6.3A-BP	FSC-6.3A-BX
7A	FSC-7A-BP	FSC-7A-BX
8A	FSC-8A-BP	FSC-8A-BX
10A	FSC-10A-BP	FSC-10A-BX
12A	FSC-12A-BP	FSC-12A-BX
15A	FSC-15A-BP	FSC-15A-BX
16A	FSC-16A-BP	FSC-16A-BX
18A	FSC-18A-BP	FSC-18A-BX
20A	FSC-20A-BP	FSC-20A-BX

\* Retail packs are for cartridge style fuses only

**Rev Date of issue Revision Notes**

**Designed Approved**

H	06-13-2024	Corrected Axial Lead P/N	RC	OF
---	------------	--------------------------	----	----