

Product Specifications

Part Numbers Information


Electrical Specifications

Voltage Rating:

300VAC (300mA-5A; 15A)
250VAC (6A-12A)

Operating Temperature: -55°C ~ 125°C

Standards

300mA-5A; 15A (300VAC) 
Tested to UL 248-14 Standard. File E197390
Tested to CSA C22.2 No.248.14 Standard. File E197390

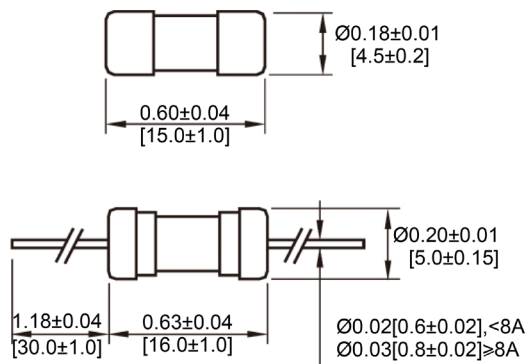
Interrupting Rating

50A @ 300VAC (300mA-5A)
100A @ 300VAC (15A)
50A @ 250VAC (300mA-2.25A)
100A @ 250VAC (2.5A-5A)
500A @ 125VAC (300mA-5A)
100A @ 125VAC (1A-15A) (PSE) (FSE)
500A @ 125VAC (1A-15A) (PSE) (FSE-P)
100A @ 250VAC (1A-15A) PSE (FSE/FSE-P)
100A @ 250VAC (300mA-7A) KC

Material Specifications

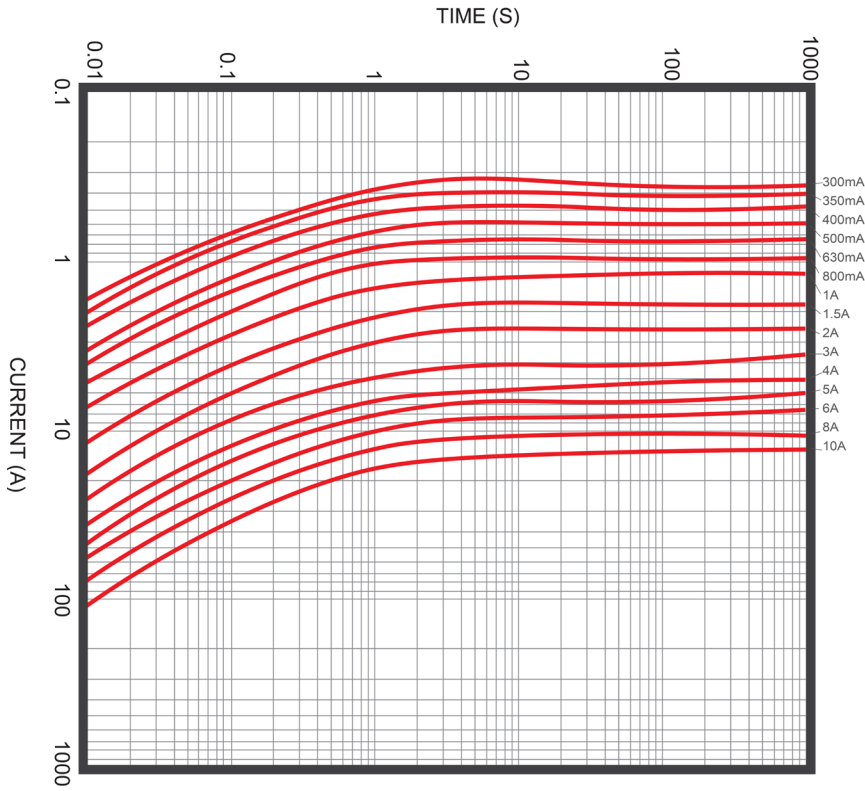
Body Material: Glass

Mechanical Dimensions: Inches [mm]



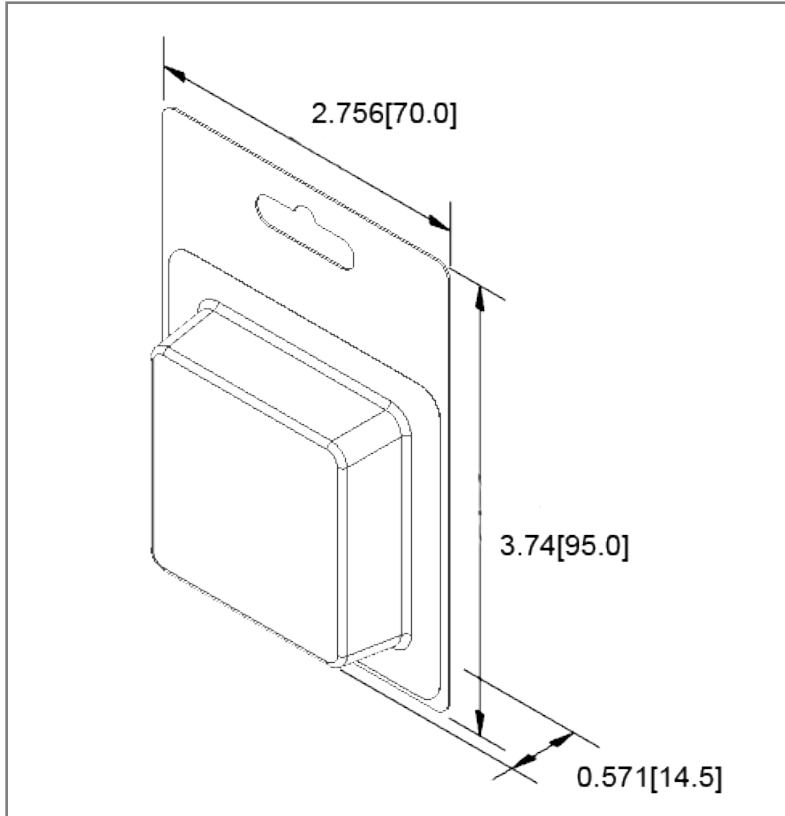
Cartridge P/N	Axial Lead P/N	Ampere Rating	I ² T Reference (A ² Sec)
FSE-300mA	FSE-P-300mA	300mA	0.0293
FSE-315mA	FSE-P-315mA	315mA	0.0335
FSE-350mA	FSE-P-350mA	350mA	0.04
FSE-375mA	FSE-P-375mA	375mA	0.044
FSE-400mA	FSE-P-400mA	400mA	0.06
FSE-500mA	FSE-P-500mA	500mA	0.109
FSE-600mA	FSE-P-600mA	600mA	0.167
FSE-630mA	FSE-P-630mA	630mA	0.174
FSE-750mA	FSE-P-750mA	750mA	0.275
FSE-800mA	FSE-P-800mA	800mA	0.284
FSE-1A	FSE-P-1A	1A	0.525
FSE-1.2A	FSE-P-1.2A	1.2A	0.604
FSE-1.25A	FSE-P-1.25A	1.25A	0.626
FSE-1.5A	FSE-P-1.5A	1.5A	1.426
FSE-1.6A	FSE-P-1.6A	1.6A	1.5
FSE-2A	FSE-P-2A	2A	3.436
FSE-2.25A	FSE-P-2.25A	2.25A	3.727
FSE-2.5A	FSE-P-2.5A	2.5A	5.695
FSE-3A	FSE-P-3A	3A	6.456
FSE-3.15A	FSE-P-3.15A	3.15A	7.202
FSE-3.5A	FSE-P-3.5A	3.5A	9.454
FSE-4A	FSE-P-4A	4A	13.37
FSE-5A	FSE-P-5A	5A	21.78
FSE-6A	FSE-P-6A	6A	33.06
FSE-6.3A	FSE-P-6.3A	6.3A	36.45
FSE-7A	FSE-P-7A	7A	45.44
FSE-8A	FSE-P-8A	8A	65.46
FSE-9A	FSE-P-9A	9A	84.27
FSE-10A	FSE-P-10A	10A	106.7
FSE-12A	FSE-P-12A	12A	
FSE-15A	FSE-P-15A	15A	

Time vs Percent of Rated Current

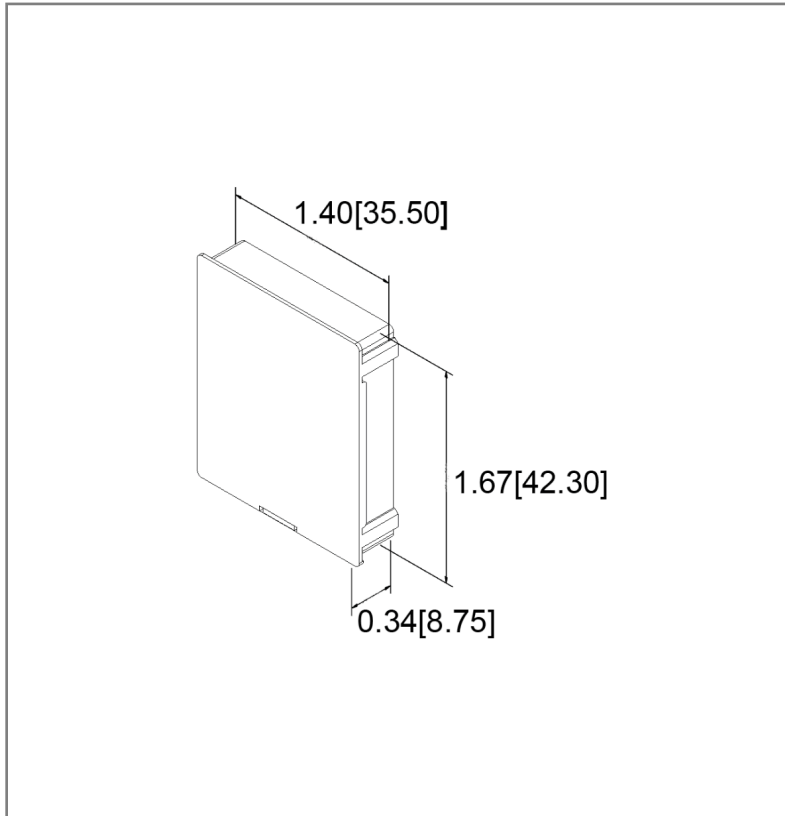


% of Rated Current	Min Hold Time	Max Hold Time
100%	4 Hr	-
135%	-	1 Hr
200%	-	120s (300V) 5s (125/250V)

Blister Pack: Inches [mm]



Pill Box: Inches [mm]



Retail Pack Part Number Information

Ampere Rating	Retail Pack # Blister Card (5PCS)	Retail Pack # Pill Box (5PCS)
300mA	FSE-300mA-BP	FSE-300mA-BX
315mA	FSE-315mA-BP	FSE-315mA-BX
350mA	FSE-350mA-BP	FSE-350mA-BX
375mA	FSE-375mA-BP	FSE-375mA-BX
500mA	FSE-500mA-BP	FSE-500mA-BX
750mA	FSE-750mA-BP	FSE-750mA-BX
800mA	FSE-800mA-BP	FSE-800mA-BX
1A	FSE-1A-BP	FSE-1A-BX
1.25A	FSE-1.25A-BP	FSE-1.25A-BX
1.5A	FSE-1.5A-BP	FSE-1.5A-BX
2A	FSE-2A-BP	FSE-2A-BX
2.5A	FSE-2.5A-BP	FSE-2.5A-BX
3A	FSE-3A-BP	FSE-3A-BX
3.15A	FSE-3.15A-BP	FSE-3.15A-BX
3.5A	FSE-3.5A-BP	FSE-3.5A-BX
4A	FSE-4A-BP	FSE-4A-BX
5A	FSE-5A-BP	FSE-5A-BX
7A	FSE-7A-BP	FSE-7A-BX
8A	FSE-8A-BP	FSE-8A-BX
10A	FSE-10A-BP	FSE-10A-BX
12A	FSE-12A-BP	FSE-12A-BX
15A	FSE-15A-BP	FSE-15A-BX

* Retail packs are for cartridge style fuses only

Rev Date of issue Revision Notes

Designed Approved

C	06-11-2024	Corrected Part Number Information	RC	OF
---	------------	-----------------------------------	----	----