

N-Channel Enhancement Mode Power MOSFET

Description

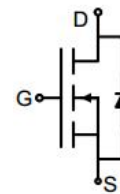
The G130N06S uses advanced trench technology to provide excellent $R_{DS(ON)}$, low gate charge. It can be used in a wide variety of applications.

General Features

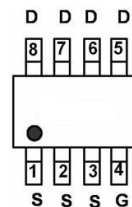
- V_{DS} 60V
- I_D (at $V_{GS} = 10V$) 9A
- $R_{DS(ON)}$ (at $V_{GS} = 10V$) < 12m Ω
- $R_{DS(ON)}$ (at $V_{GS} = 4.5V$) < 14m Ω
- 100% Avalanche Tested
- RoHS Compliant

Application

- Power switch
- DC/DC converters



Schematic diagram



pin assignment



SOP-8

Ordering Information

| Device | Package | Marking | Packaging |
|----------|---------|---------|--------------|
| G130N06S | SOP-8 | G130N06 | 4000pcs/Reel |

Absolute Maximum Ratings $T_C = 25^\circ C$, unless otherwise noted

| Parameter | Symbol | Value | Unit |
|--|----------------|------------|------------|
| Drain-Source Voltage | V_{DS} | 60 | V |
| Continuous Drain Current | I_D | 9 | A |
| Pulsed Drain Current (note1) | I_{DM} | 36 | A |
| Gate-Source Voltage | V_{GS} | ± 20 | V |
| Power Dissipation | P_D | 2.6 | W |
| Single pulse avalanche energy (note2) | E_{AS} | 100 | mJ |
| Operating Junction and Storage Temperature Range | T_J, T_{stg} | -55 To 150 | $^\circ C$ |

Thermal Resistance

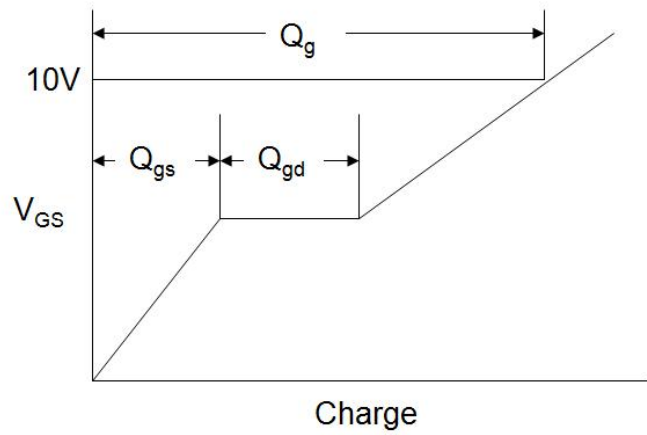
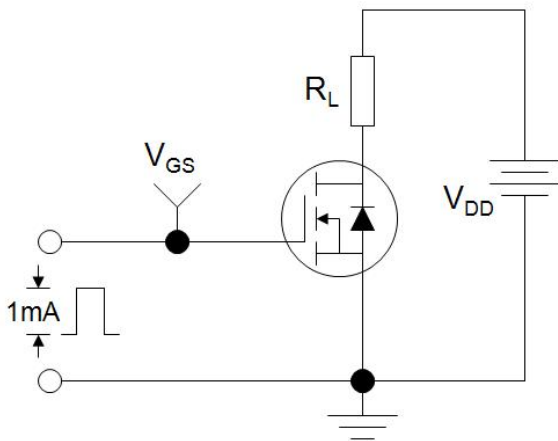
| Parameter | Symbol | Value | Unit |
|---|------------|-------|--------------|
| Thermal Resistance, Junction-to-Ambient | R_{thJA} | 48 | $^\circ C/W$ |

| Specifications $T_J = 25^\circ\text{C}$, unless otherwise noted | | | | | | |
|--|---------------|--|-------|------|-----------|------------|
| Parameter | Symbol | Test Conditions | Value | | | Unit |
| | | | Min. | Typ. | Max. | |
| Static Parameters | | | | | | |
| Drain-Source Breakdown Voltage | $V_{(BR)DSS}$ | $V_{GS} = 0V, I_D = 250\mu A$ | 60 | -- | -- | V |
| Zero Gate Voltage Drain Current | I_{DSS} | $V_{DS} = 60V, V_{GS} = 0V$ | -- | -- | 1 | μA |
| Gate-Source Leakage | I_{GSS} | $V_{GS} = \pm 20V$ | -- | -- | ± 100 | nA |
| Gate-Source Threshold Voltage | $V_{GS(th)}$ | $V_{DS} = V_{GS}, I_D = 250\mu A$ | 1.0 | 1.7 | 2.5 | V |
| Drain-Source On-Resistance | $R_{DS(on)}$ | $V_{GS} = 10V, I_D = 10A$ | -- | 10 | 12 | m Ω |
| | | $V_{GS} = 4.5V, I_D = 10A$ | -- | 11.5 | 14 | |
| Forward Transconductance | g_{FS} | $V_{GS} = 5V, I_D = 10A$ | -- | 17 | -- | S |
| Dynamic Parameters | | | | | | |
| Input Capacitance | C_{iss} | $V_{GS} = 0V,$ $V_{DS} = 30V,$ $f = 1.0\text{MHz}$ | -- | 3068 | -- | pF |
| Output Capacitance | C_{oss} | | -- | 251 | -- | |
| Reverse Transfer Capacitance | C_{rss} | | -- | 197 | -- | |
| Total Gate Charge | Q_g | $V_{DD} = 30V,$ $I_D = 10A,$ $V_{GS} = 10V$ | -- | 67 | -- | nC |
| Gate-Source Charge | Q_{gs} | | -- | 11 | -- | |
| Gate-Drain Charge | Q_{gd} | | -- | 15 | -- | |
| Turn-on Delay Time | $t_{d(on)}$ | $V_{DD} = 30V,$ $I_D = 10A,$ $R_G = 3\Omega$ | -- | 10 | -- | ns |
| Turn-on Rise Time | t_r | | -- | 8 | -- | |
| Turn-off Delay Time | $t_{d(off)}$ | | -- | 36 | -- | |
| Turn-off Fall Time | t_f | | -- | 6 | -- | |
| Drain-Source Body Diode Characteristics | | | | | | |
| Continuous Body Diode Current | I_S | $T_C = 25^\circ\text{C}$ | -- | -- | 9 | A |
| Body Diode Voltage | V_{SD} | $T_J = 25^\circ\text{C}, I_{SD} = 10A, V_{GS} = 0V$ | -- | -- | 1.2 | V |
| Reverse Recovery Charge | Q_{rr} | $I_F = 10A, V_{GS} = 0V$ $di/dt=100A/us$ | -- | 49 | -- | nC |
| Reverse Recovery Time | T_{rr} | | -- | 34 | -- | ns |

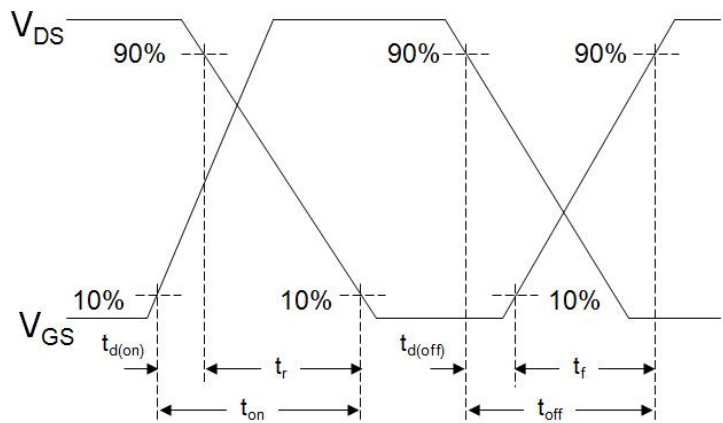
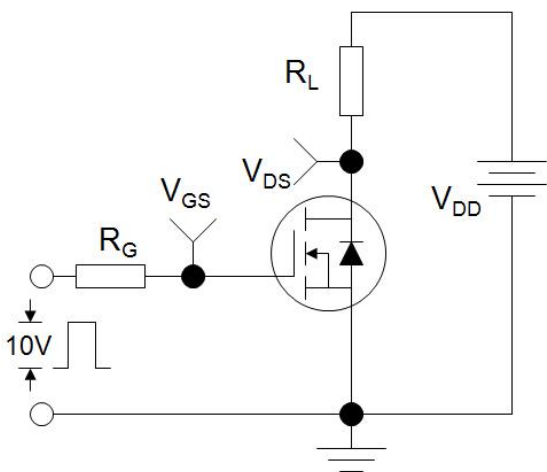
Notes

1. Repetitive Rating: Pulse width limited by maximum junction temperature
2. EAS condition : $T_J=25^\circ\text{C}$, $V_{DD}=50V, V_{GS}=10V, L=0.5\text{mH}, R_g=25\Omega$
3. Identical low side and high side switch with identical R_G

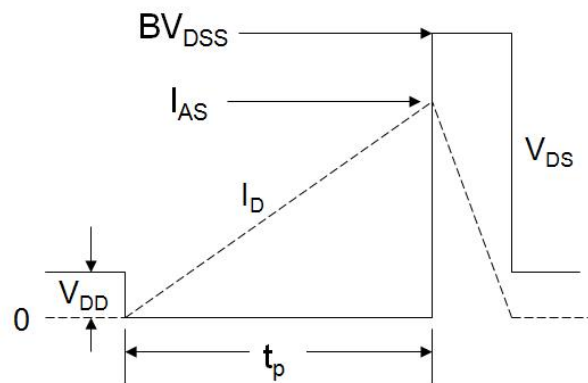
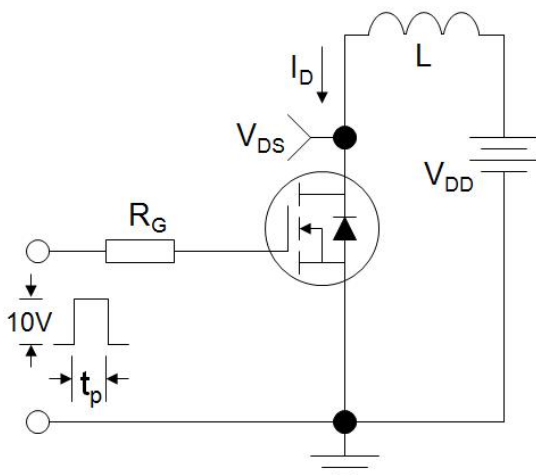
Gate Charge Test Circuit



Switch Time Test Circuit



EAS Test Circuit



Typical Characteristics $T_J = 25^\circ\text{C}$, unless otherwise noted

Figure 1. Output Characteristics

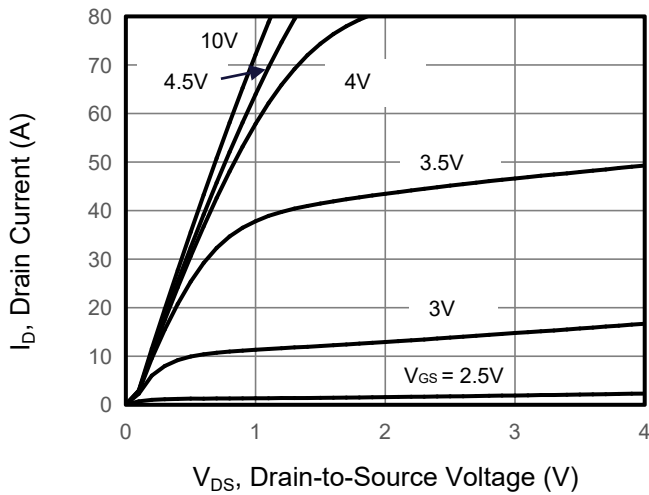


Figure 2. Transfer Characteristics

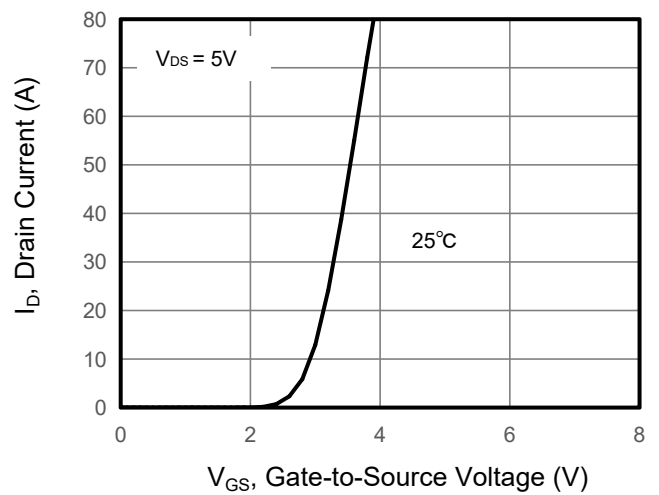


Figure 3. Drain Source On Resistance

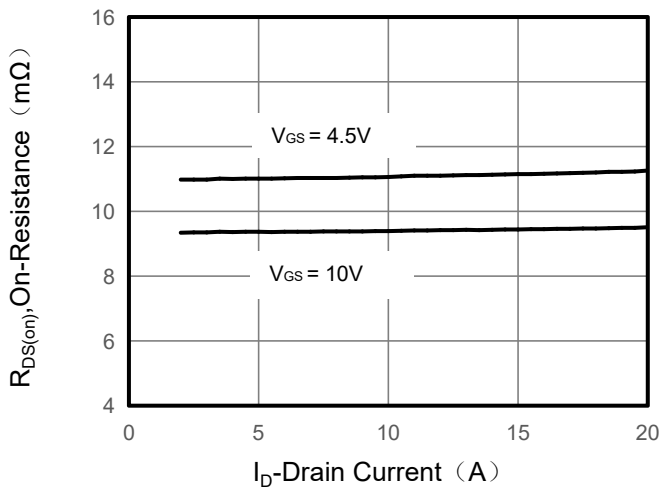


Figure 4. Gate Charge

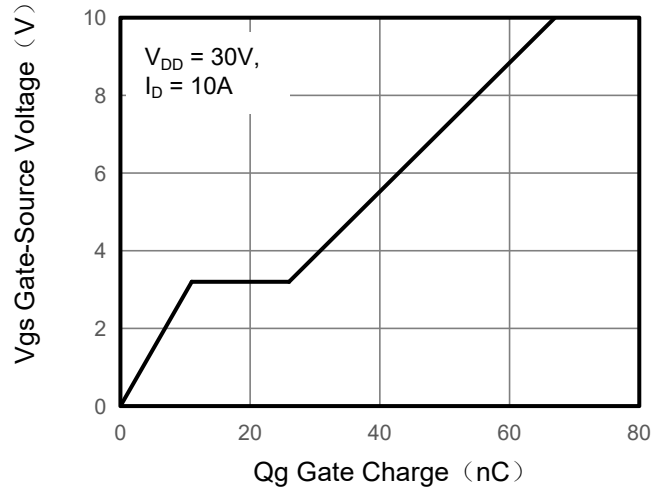


Figure 5. Capacitance

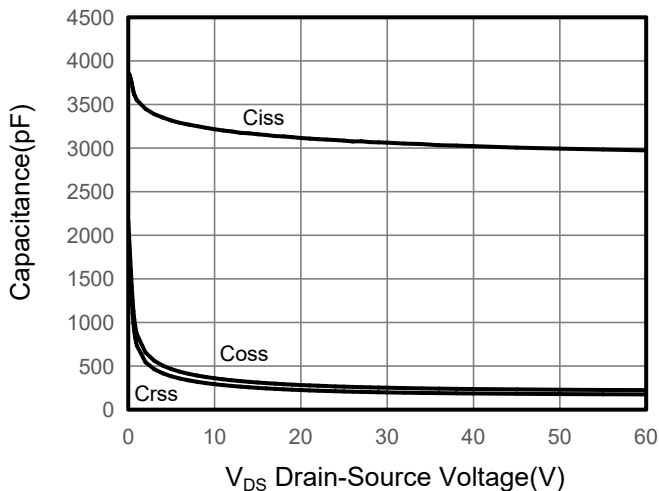
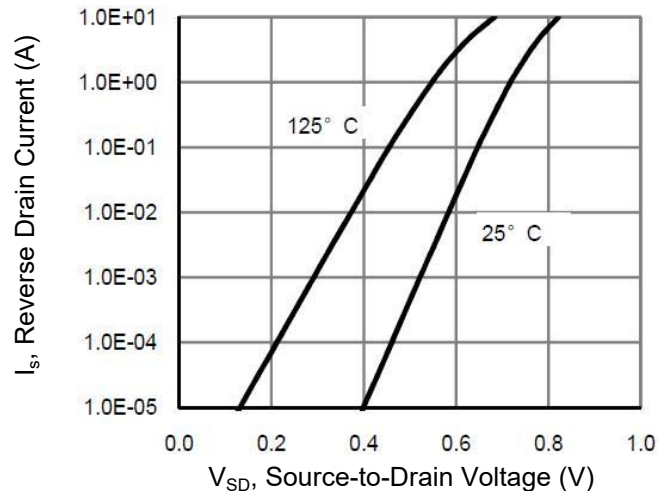


Figure 6. Source-Drain Diode Forward



Typical Characteristics $T_J = 25^\circ\text{C}$, unless otherwise noted

Figure 7. Drain-Source On-Resistance

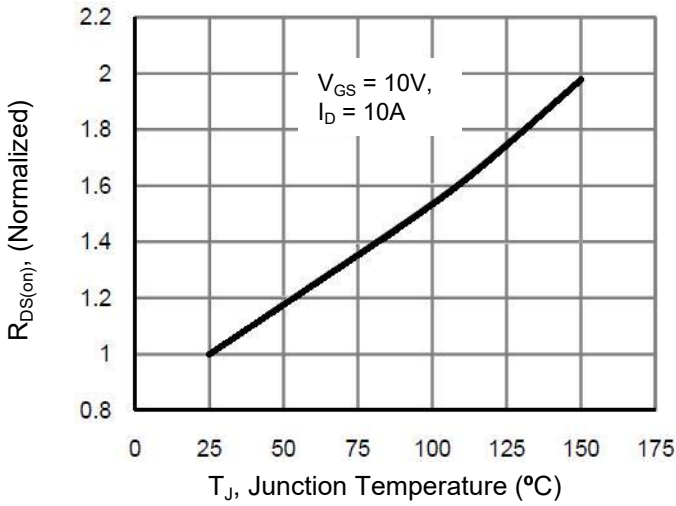


Figure 8. Safe Operation Area

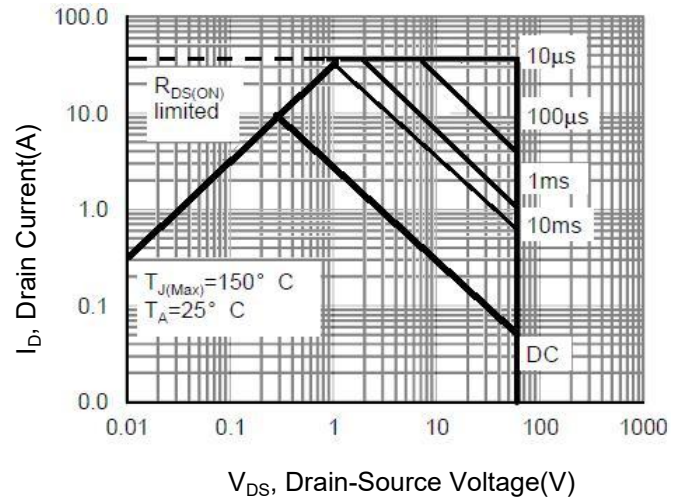
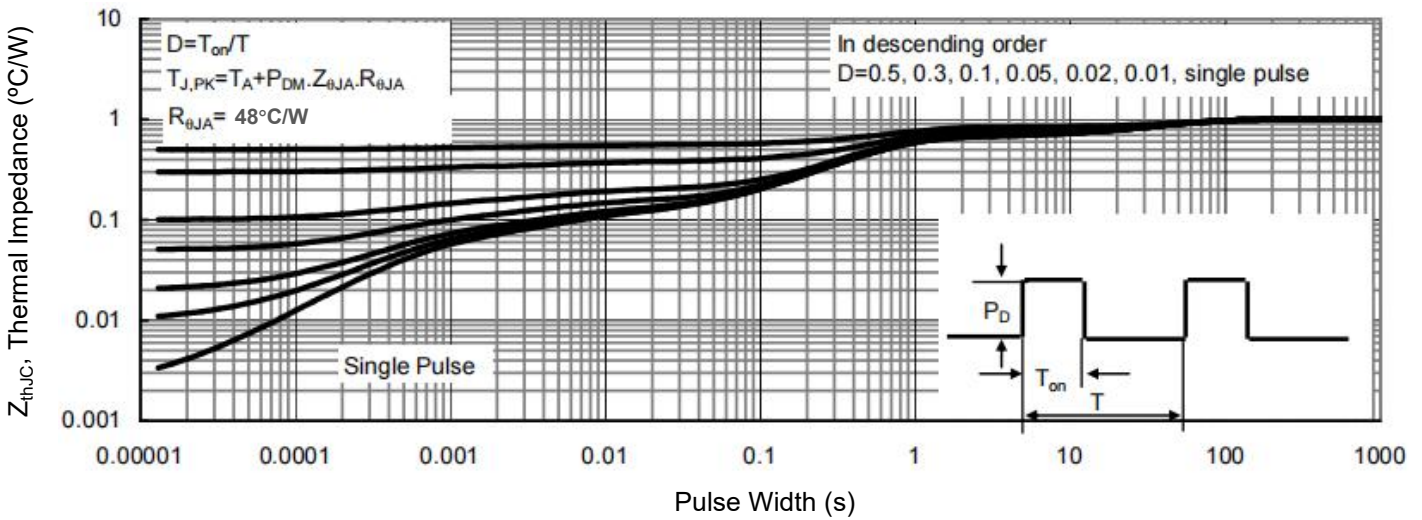
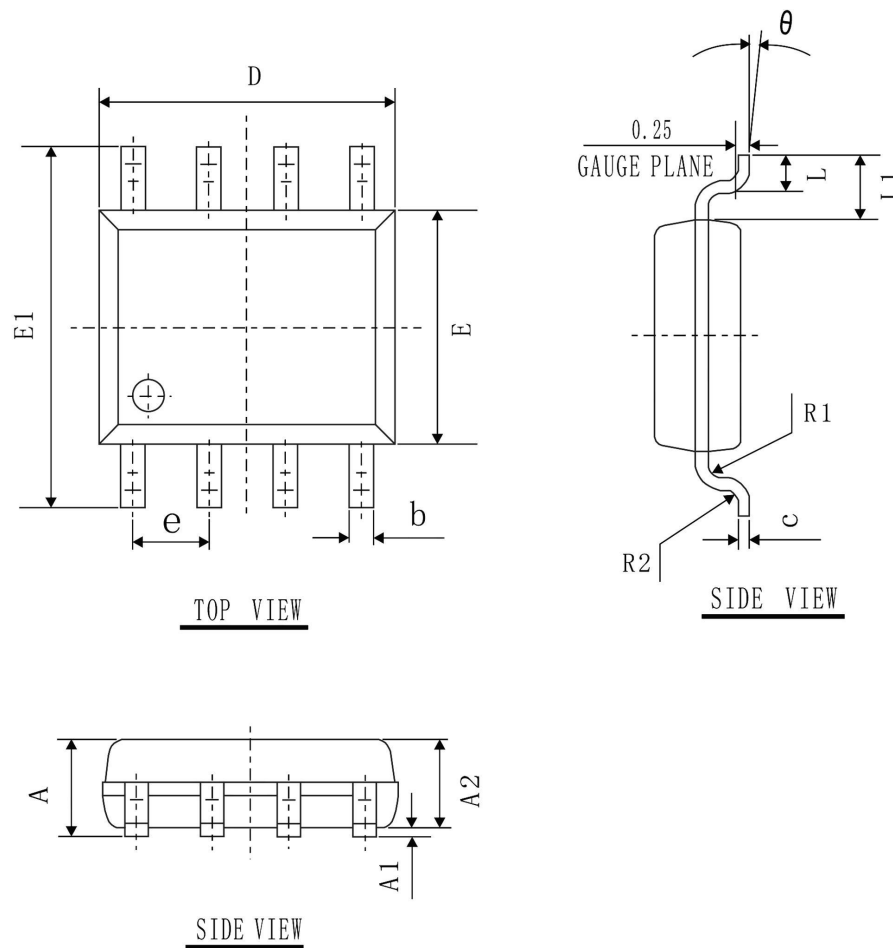


Figure 9. Normalized Maximum Transient Thermal Impedance



SOP-8 Package Information



COMMON DIMENSIONS
(UNITS OF MEASURE=mm)

| SYMBOL | MIN | NOM | MAX |
|----------|----------|-------|-------|
| A | 1.40 | 1.60 | 1.80 |
| A1 | 0.05 | 0.15 | 0.25 |
| A2 | 1.35 | 1.45 | 1.55 |
| b | 0.30 | 0.40 | 0.50 |
| c | 0.153 | 0.203 | 0.253 |
| D | 4.80 | 4.90 | 5.00 |
| E | 3.80 | 3.90 | 4.00 |
| E1 | 5.80 | 6.00 | 6.20 |
| L | 0.45 | 0.70 | 1.00 |
| θ | 2° | 4° | 6° |
| L1 | 1.04 REF | | |
| e | 1.27 BSC | | |
| R1 | 0.07 TYP | | |
| R2 | 0.07 TYP | | |