

F

E

D

C

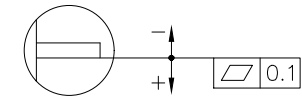
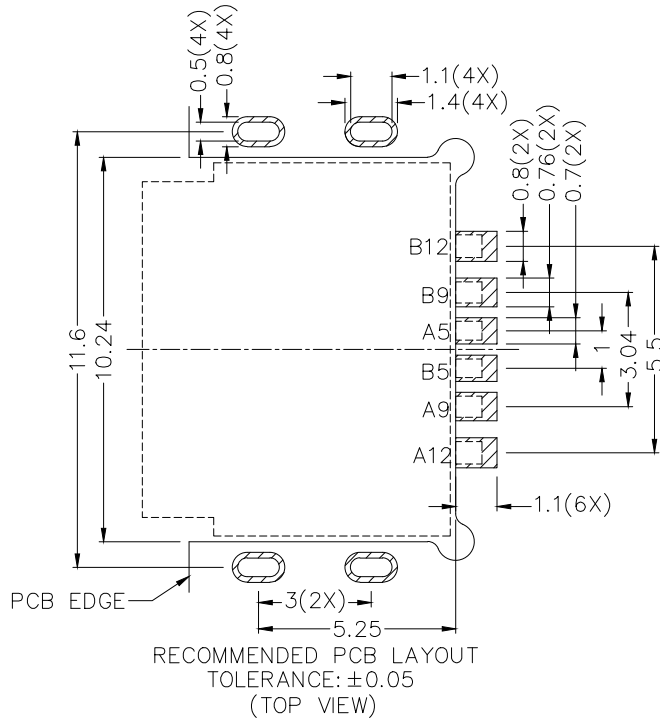
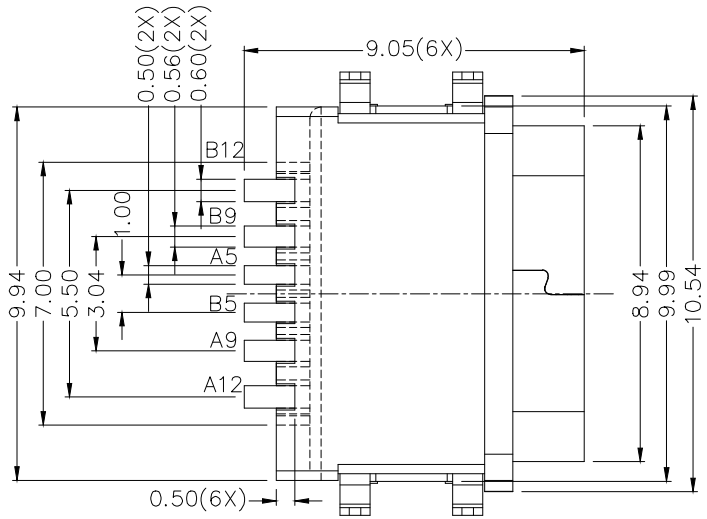
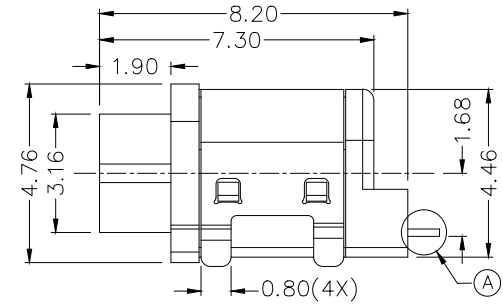
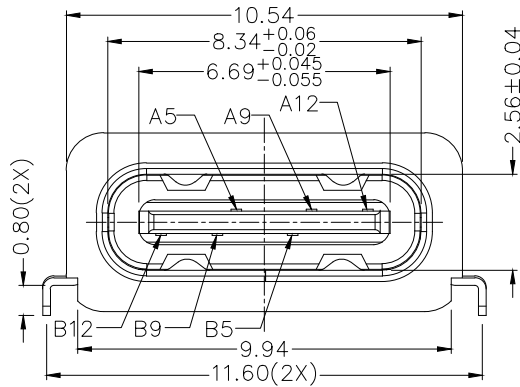
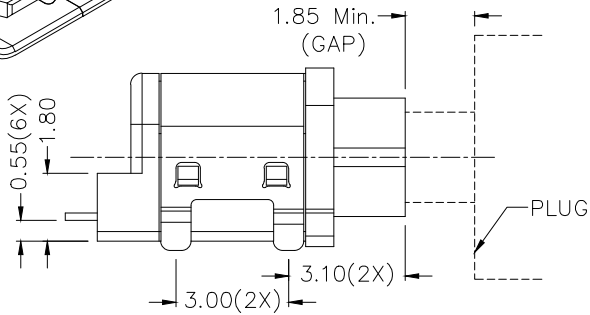
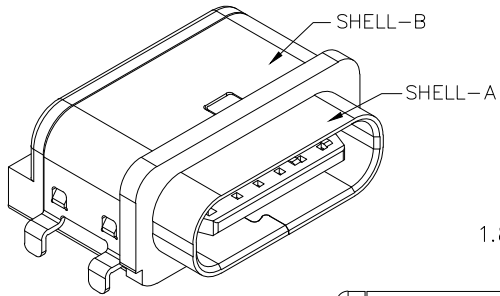
B

A

ZONE	SYMBOL	REVISION	APPROVAL	DATE
		ADD ASSEMBLY CHASSIS DIAGRAM	H.Q.ZHOU	7-4-2024
		ADD GAP	H.Q.ZHOU	7-4-2024



RoHS Compliant



A DETAIL COPLANARITY

PIN NO.	A5	A9	A12
	CC1	Vbus	GND

PIN NO.	B12	B9	B5
	GND	Vbus	CC2

DESCRIPTION	MATERIAL	PLATING
CONTACT	COPPER ALLOY	NICKEL PLATED ON ALL AREA, Au 1u" MIN ON CONTACT AREA, Sn 50u" MIN ON SOLDER AREA
SHELL-A	STAINLESS STEEL	NICKEL(Ni)
SHELL-B	STAINLESS STEEL	NICKEL(Ni)
MIDDLE PLATE	STAINLESS STEEL	
INSULATOR	HIGH TEMP. PLASTIC	COLOR:BLACK
HOUSING	HIGH TEMP. PLASTIC	COLOR:BLACK

LINKPLEX TECHNOLOGY LIMITED

PART NAME WATERPROOF USB TYPE-C (6PIN) CONNECTOR TOLERANCE UNLESS 0.0±0.3 0.00±0.25 OTHERWISE SPECIFIED: 0.000±0.1

PART NO. LWP-C107D

UNIT: mm

DESIGN	H.L.TAN	DATE	18-2-2022	SCALE	5:1
DRAWING	J.H.ZHOU	DATE	7-4-2024	MATERIAL	
CHECK	T.Y.LI	DATE	7-4-2024	DWG. NO.	TZ\WPC107D-A/3.0
APPROVAL	H.Q.ZHOU	DATE	7-4-2024	SHEET	1/2

F

E

D

C

B

A

F

E

D

C

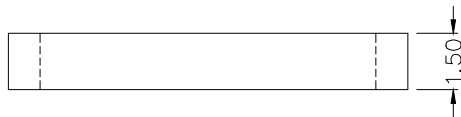
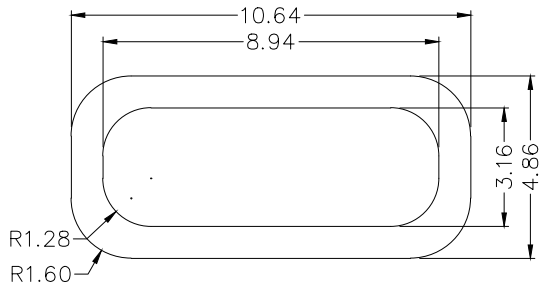
B

A

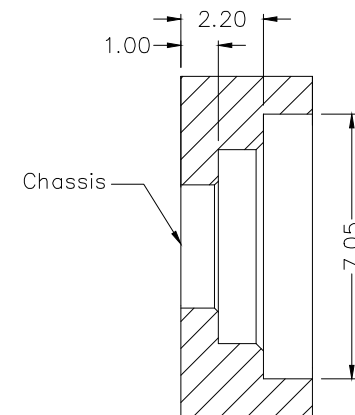
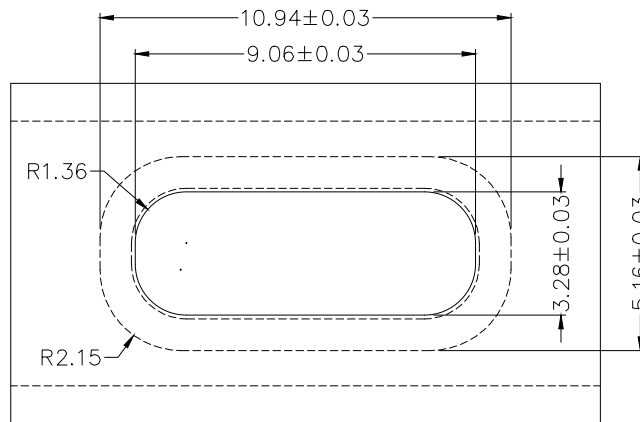


RoHS Compliant

ZONE	SYMBOL	REVISION	APPROVAL	DATE



* Recommended Waterproof Gasket
Gasket Part No.: O-RING-13



1

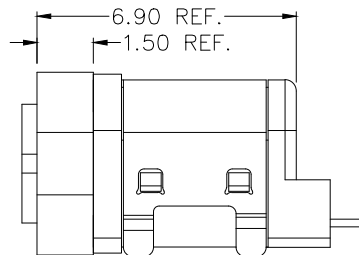
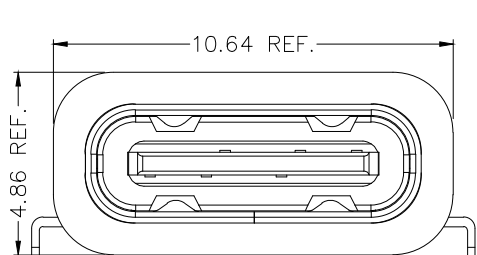
1

2

2

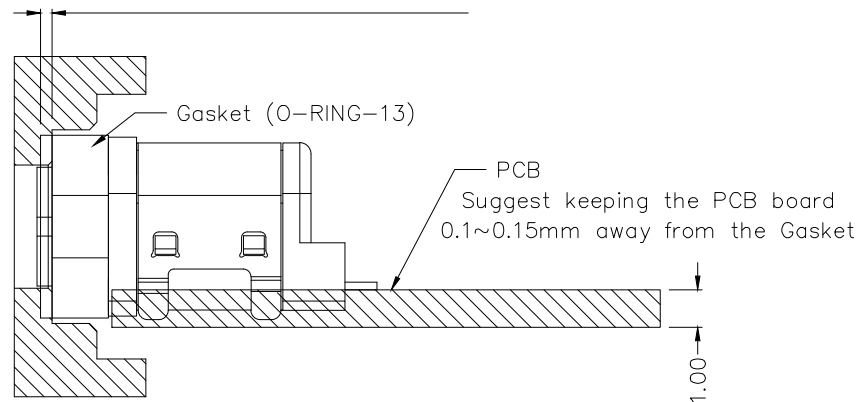
3

3



Assembly diagram

Interference gap between chassis and Gasket is 0.30 min



After assembling on chassis

4

4

LINKPLEX TECHNOLOGY LIMITED

PART NAME	WATERPROOF USB TYPE-C (6PIN) CONNECTOR	TOLERANCE UNLESS	0.0±0.3	UNIT:	
PART NO.	LWP-C107D	OTHERWISE SPECIFIED:	0.00±0.25 0.000±0.1	mm	

DESIGN	H.L.TAN	DATE	18-2-2022	SCALE	5:1
DRAWING	J.H.ZHOU	DATE	7-4-2024	MATERIAL	
CHECK	T.Y.LI	DATE	7-4-2024	DWG. NO.	TZ\WPC107D-A/3.0
APPROVAL	H.Q.ZHOU	DATE	7-4-2024	SHEET	2/2

F

E

D

C

B

A