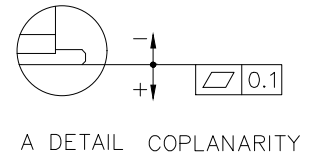
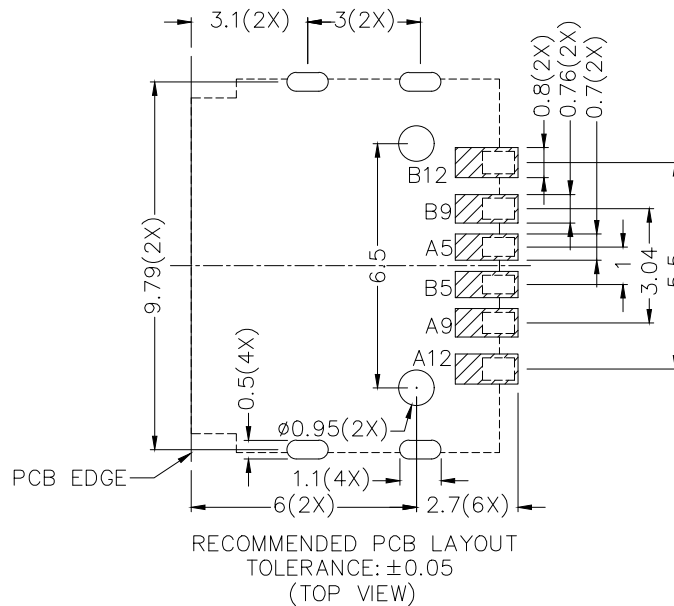
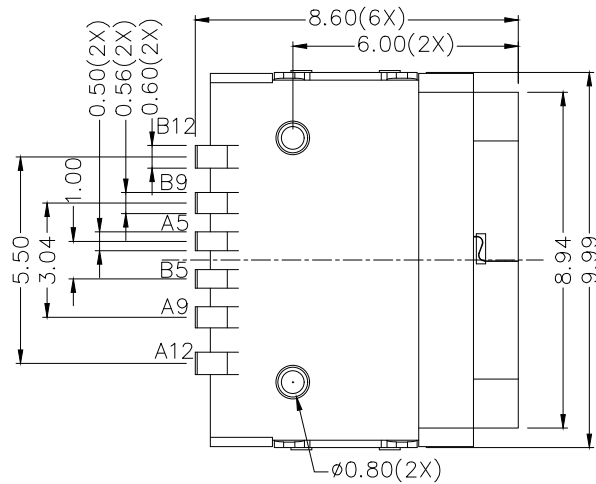
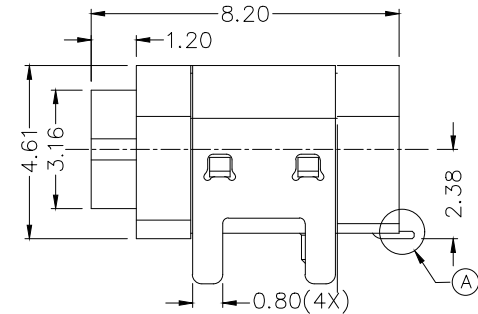
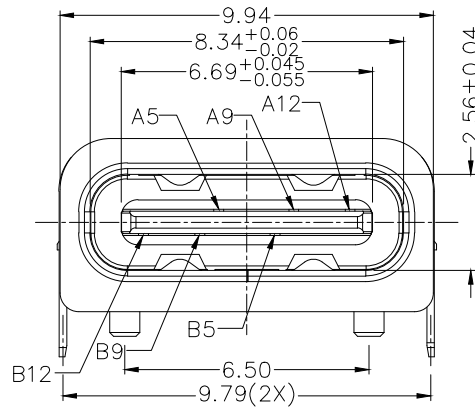


RoHS
Compliant

ZONE	SYMBOL	REVISION	APPROVAL	DATE
		ADD ASSEMBLY CHASSIS DIAGRAM	H.Q.ZHOU	7-4-2024
		ADD GAP	H.Q.ZHOU	7-4-2024



PIN NO.	A1	A2	A3	A4	A5	A6	A7	A8	A9	A10	A11	A12
					CC1				Vbus			GND
PIN NO.	B12	B11	B10	B9	B8	B7	B6	B5	B4	B3	B2	B1

DESCRIPTION	MATERIAL	PLATING
CONTACT	COPPER ALLOY	NICKEL PLATED ON ALL AREA, Au 1u" MIN ON CONTACT AREA, Sn 50u" MIN ON SOLDER AREA
SHELL-A	STAINLESS STEEL	NICKEL(Ni)
SHELL-B	STAINLESS STEEL	NICKEL(Ni)
MIDDLE PLATE	STAINLESS STEEL	
INSULATOR	HIGH TEMP. PLASTIC	COLOR:BLACK
HOUSING	HIGH TEMP. PLASTIC	COLOR:BLACK

LINKPLEX TECHNOLOGY LIMITED

PART NAME: WATERPROOF USB TYPE-C (6PIN) CONNECTOR
PART NO.: LWP-C108D

TOLERANCE UNLESS 0.0±0.3
0.00±0.25
OTHERWISE SPECIFIED: 0.000±0.1

UNIT: mm



DESIGN	H.L.TAN	DATE	13-6-2022	SCALE	5:1
DRAWING	J.H.ZHOU	DATE	7-4-2024	MATERIAL	
CHECK	T.Y.LI	DATE	7-4-2024	DWG. NO.	TZ\WPC108D-A/3.0
APPROVAL	H.Q.ZHOU	DATE	7-4-2024	SHEET	1/2

F

E

D

C

B

A

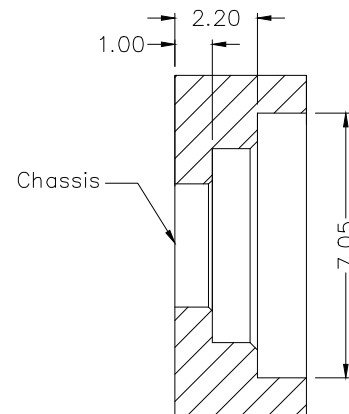
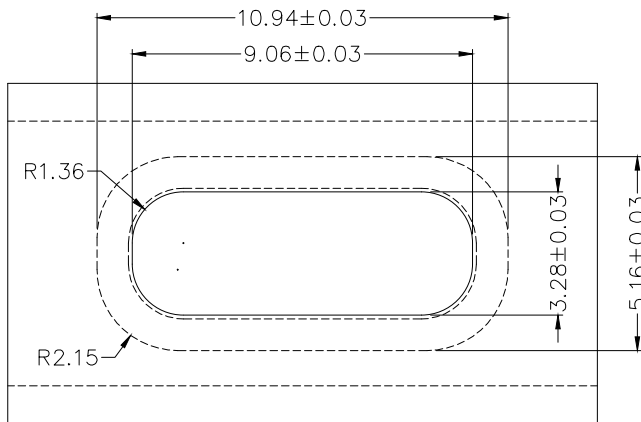
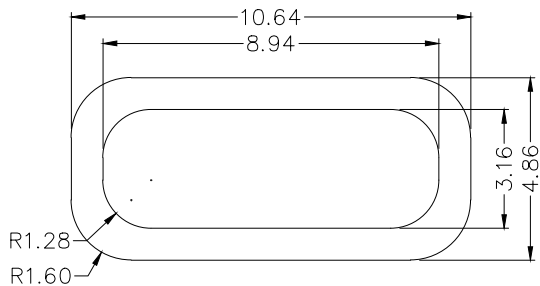


RoHS Compliant

ZONE	SYMBOL	REVISION	APPROVAL	DATE

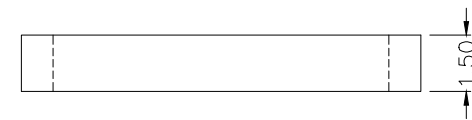
1

1



2

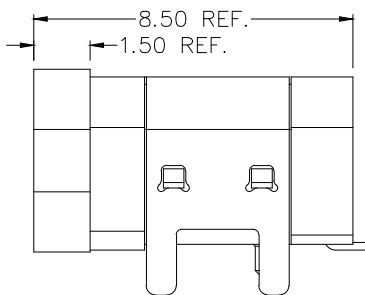
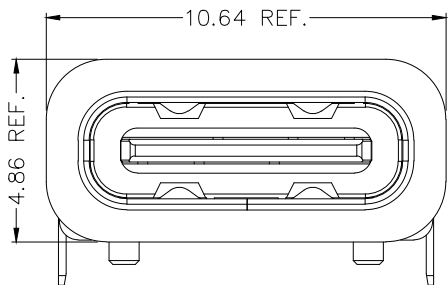
2



* Recommended Waterproof Gasket
Gasket Part No.: O-RING-13

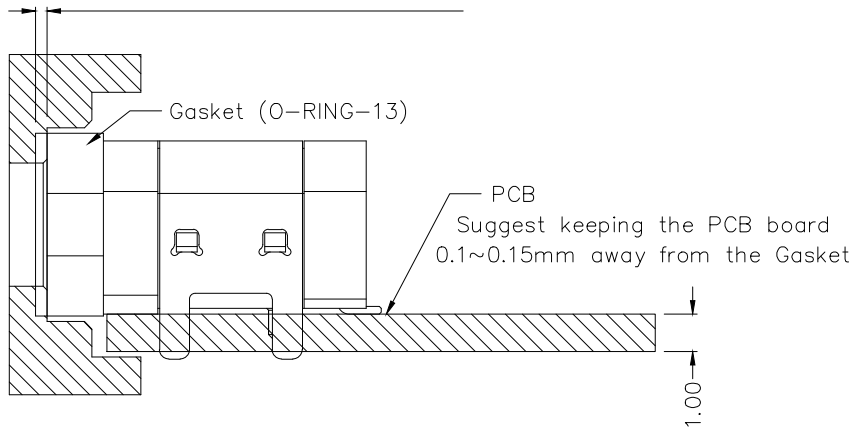
3

3



Assembly diagram

Interference gap between chassis and Gasket is 0.30 min



After assembling on chassis

4

4

LINKPLEX TECHNOLOGY LIMITED

PART NAME WATERPROOF USB TYPE-C (6PIN) CONNECTOR
PART NO. LWP-C108D

TOLERANCE UNLESS 0.0±0.3
0.00±0.25
OTHERWISE SPECIFIED: 0.000±0.1

UNIT: mm

DESIGN	H.L.TAN	DATE	13-6-2022	SCALE	5:1
DRAWING	J.H.ZHOU	DATE	7-4-2024	MATERIAL	
CHECK	T.Y.LI	DATE	7-4-2024	DWG. NO.	TZ\WPC108D-A/3.0
APPROVAL	H.Q.ZHOU	DATE	7-4-2024	SHEET	2/2

F

E

D

C

B

A