

Peak Emission Wavelength: 630nm

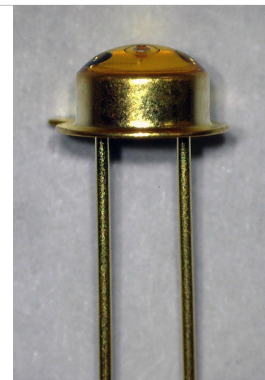
The 630nm red LED Series is designed for applications requiring high accuracy and precision. Custom package solutions and sorting are available.

FEATURES

- > High Reliability
- > High Output Power
- > Narrow Radiation Pattern

APPLICATIONS

- > Optical Sensing
- > Optical Instruments
- > Linear & Rotary Encoder
- > Machine Vision / CCD



Absolute Maximum Ratings (Ta=25°C)

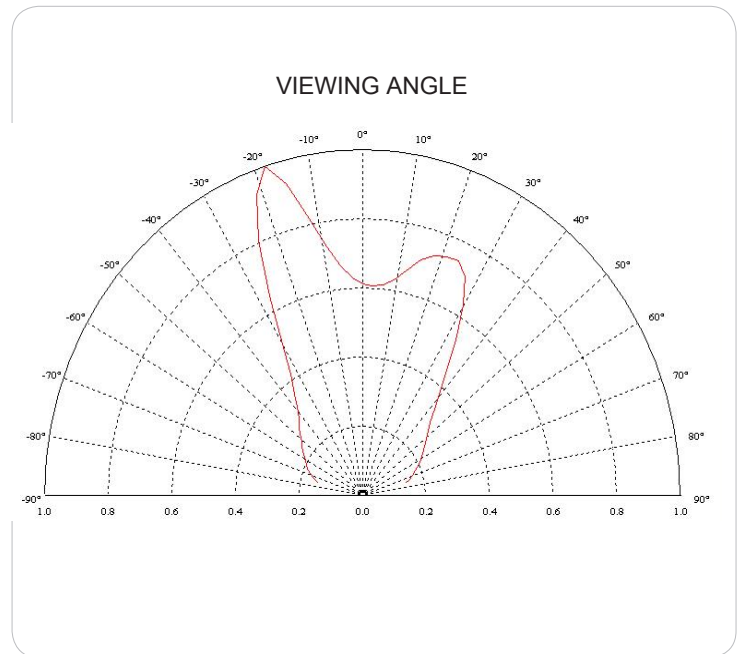
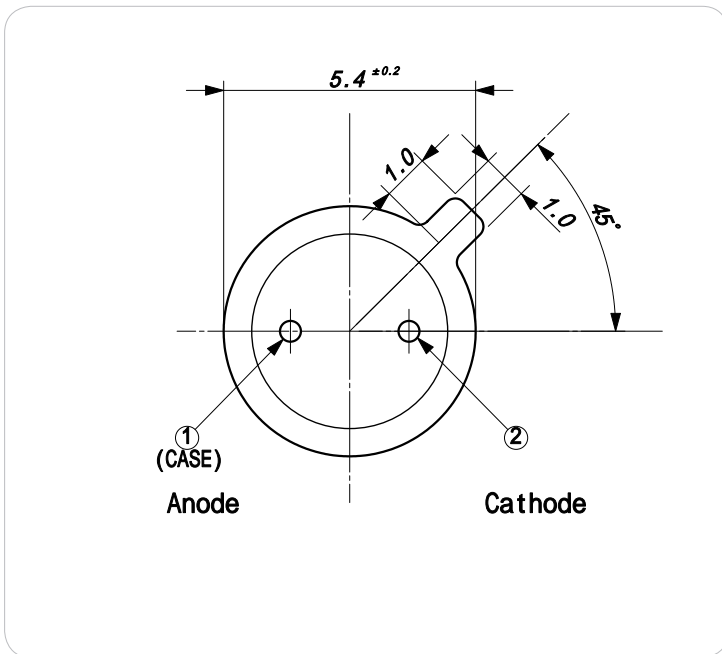
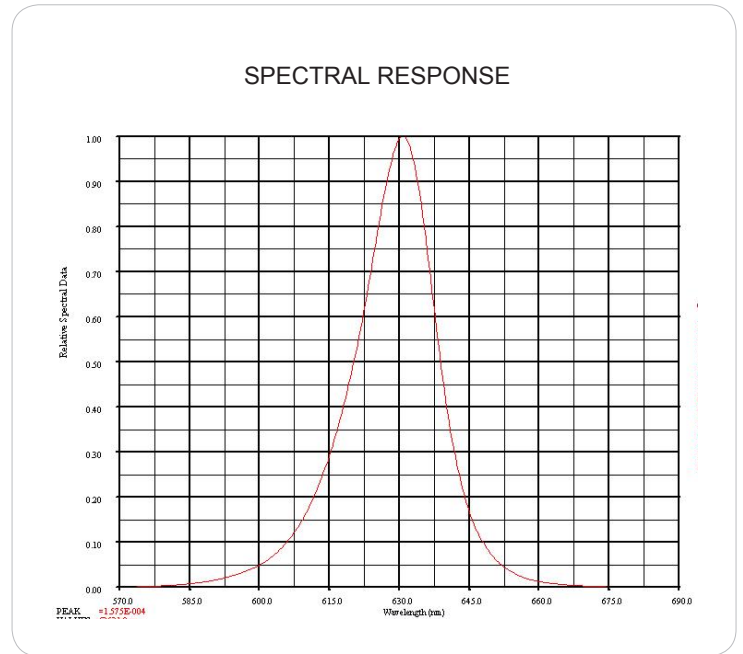
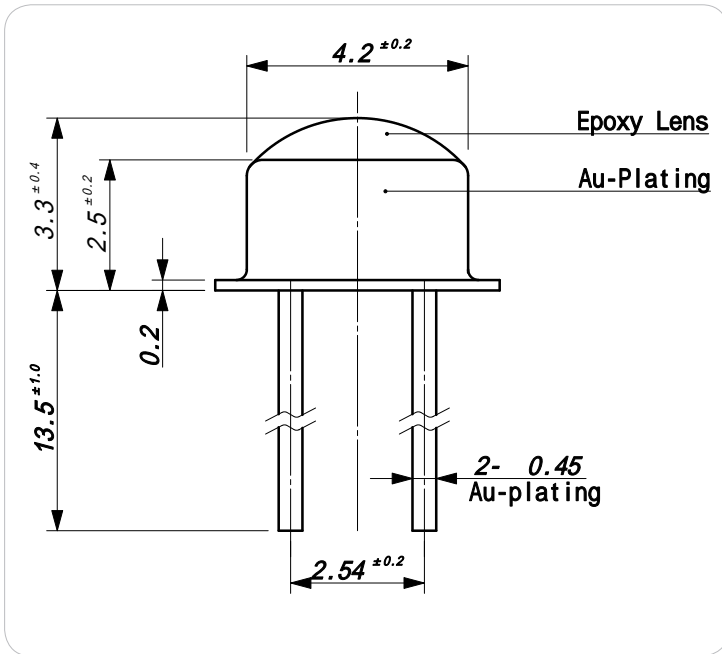


| ITEMS | SYMBOL | RATINGS | UNIT |
|------------------------------|--------|------------|------|
| Forward Current (DC) | IF | 50 | mA |
| Forward Current (Pulse)*1 | IFP | 0.5 | A |
| Reverse Voltage | VR | 5 | V |
| Power Dissipation | PD | 125 | mW |
| Operating Temperature Range | Topr | -20 ~ +85 | °C |
| Storage Temperature Range | Tstg | -30 ~ +100 | °C |
| Junction Temperature | Tj | 100 | °C |
| Lead Soldering Temperature*2 | Tls | 260 | °C |

*1: Tw=10μsec, T=10msec; *2: Time 5 Sec max, Position: Up to 3mm from the body.

Electrical & Optical Characteristics (Ta = 25°C)

| ITEMS | SYMBOL | CONDITIONS | MIN | TYP | MAX | UNIT |
|---------------------------|--------|------------|-----|------|-----|------|
| Power Output | PO | IF=50mA | -- | 27.5 | -- | mW |
| Forward Voltage | VF | IF=50mA | -- | 2.20 | -- | V |
| Reverse Current | IR | VR=5V | -- | -- | 100 | μA |
| Peak Emission Wavelength | λp | IF=50mA | -- | 630 | -- | nm |
| Spectral Line Half Width | Δλ | IF=50mA | -- | 19 | -- | nm |
| Half Intensity Beam Angle | Θ | IF=50mA | -- | ±55 | -- | deg |
| Rise Time | Tr | IFP=50mA | -- | -- | -- | nS |
| Fall Time | Tf | IFP=50mA | -- | -- | -- | nS |



Unit: mm, Tolerance: ± 0.2

2020-08-04

