

Product Overview

The NSI6601 is a single-channel isolated gate driver designed to drive IGBTs, power MOSFETs and SiC MOSFETs in many applications. It provides split outputs that control the rise and fall time individually. It can source and sink 5A peak current.

The NSI6601 is available in SOP8 or SOW8 package, which can support 3000V_{RMS} or 5700V_{RMS} isolation per UL1577. System robustness is supported by 150kV/μs minimum common-mode transient immunity (CMTI).

The driver operates with a maximum supply voltage of 32V, while the input-side accepts from 3.1V to 17V supply voltage. Under voltage lock-out (UVLO) protection is supported by all the power supply voltage pins.

With high driving current, excellent robustness, wide supply voltage range and fast signal propagation, NSI6601 is suitable for high reliability, power density and efficiency switching power system.

Key Features

- Isolated single-channel driver
- Input side supply voltage: 3.1V to 17V
- Driver side supply voltage: up to 32V with 9V and 13 UVLO options
- 5A peak source and sink output current
- High CMTI: ±150kV/μs
- 78ns typical propagation delay
- Operation ambient temperature: -40°C ~125°C
- AEC-Q100 Grade1 option
- RoHS & REACH Compliant:
 - SOP8
 - SOW8

Safety Regulatory Approvals

- UL recognition: 3000V_{RMS} SOP8 and 5700V_{RMS} SOW8 for 1 minute per UL1577
- DIN VDE V 0884-11:2017-01
- CSA component notice 5A
- CQC certification per GB4943.1-2011

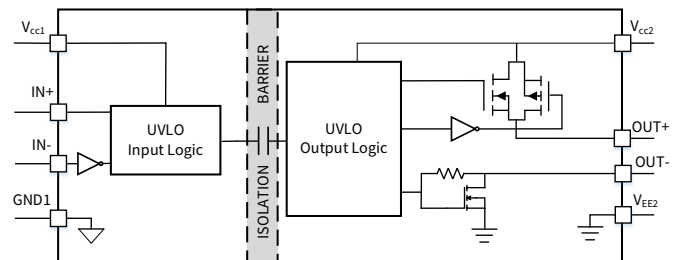
Applications

- Isolated DC/DC and AC/DC Power Supplies
- High Voltage PFC
- Solar Inverters
- Motor Drives and EV Charging
- UPS and Battery Chargers

Device Information

Part Number	UVLO Level	Package	Body Size
NSI6601B-DSPR	9V	SOP8	4.9×3.9×1.35mm
NSI6601C-DSPR	13V	SOP8	4.9×3.9×1.35mm
NSI6601C-DSWVR	13V	SOW8	7.5×5.85×2.3mm
NSI6601B-DSWVR	9V	SOW8	7.5×5.85×2.3mm

Functional Block Diagrams



NSI6601 Block Diagram

INDEX

1. PIN CONFIGURATION AND FUNCTIONS.....	3
2. ABSOLUTE MAXIMUM RATINGS	4
3. RECOMMENDED OPERATING CONDITIONS.....	4
4. THERMAL INFORMATION.....	4
5. SPECIFICATIONS.....	5
5.1. DC ELECTRICAL CHARACTERISTICS	5
5.2. SWITCHING CHARACTERISTICS	7
5.3. TYPICAL PERFORMANCE CHARACTERISTICS.....	8
5.4. PARAMETER MEASUREMENT INFORMATION	9
6. HIGH VOLTAGE FEATURE DESCRIPTION	10
6.1. INSULATION AND SAFETY RELATED SPECIFICATIONS	10
6.2. DIN VDE V 0884-11 (VDE V 0884-11): 2017-01 INSULATION CHARACTERISTICS FOR SOP8(150 MIL) PACKAGE.....	11
6.3. SAFETY LIMITING VALUES FOR SOP8(150 MIL) PACKAGE	12
6.4. REGULATORY INFORMATION FOR SOP8(150 MIL) PACKAGE	13
6.5. DIN VDE V 0884-11 (VDE V 0884-11): 2017-01 INSULATION CHARACTERISTICS FOR SOP8(300 MIL) PACKAGE.....	14
6.6. SAFETY LIMITING VALUES FOR SOP8(300 MIL) PACKAGE	15
6.7. REGULATORY INFORMATION FOR SOP8(300 MIL) PACKAGE	16
7. FUNCTION DESCRIPTION	17
7.1. OVERVIEW.....	17
7.2. FUNCTIONAL BLOCK DIAGRAM	17
7.3. TRUTH TABLES.....	18
7.4. OUTPUT STAGE	18
7.5. V_{CC1} , V_{CC2} AND UNDER VOLTAGE LOCK OUT (UVLO)	19
7.6. ACTIVE PULL-DOWN	19
7.7. SHORT CIRCUIT CLAMPING	19
8. APPLICATION NOTE	20
8.1. TYPICAL APPLICATION CIRCUIT	20
8.2. INTERLOCK PROTECTION	20
8.3. PCB LAYOUT	20
9. PACKAGE INFORMATION.....	22
10. ORDERING INFORMATION	23
11. DOCUMENTATION SUPPORT	23
12. TAPE AND REEL INFORMATION	24
13. REVISION HISTORY.....	26

1. Pin Configuration and Functions

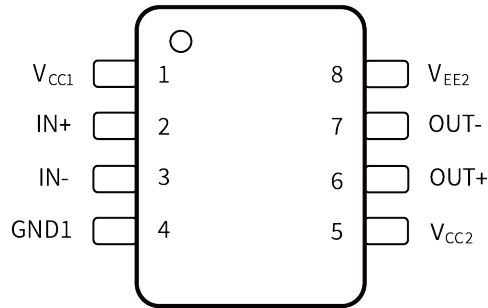


Figure 1.1 NSI6601 Top View

Table 1.1 NSI6601 Pin Configuration and Description

NSI6601 PIN NO.	SYMBOL	FUNCTION
1	V _{CC1}	Input-side supply rail
2	IN+	Non-inverted input signal with internal pull down to GND1
3	IN-	Inverted input signal with internal pull up to V _{CC1}
4	GND1	Input-side ground reference
5	V _{CC2}	Positive output supply rail
6	OUT+	Driver source output
7	OUT-	Driver sink output
8	V _{EE2}	Negative output supply rail

2. Absolute Maximum Ratings

Parameters	Symbol	Min	Max	Unit
Input Side Supply Voltage	$V_{CC1-GND1}$	-0.3	18	V
Input Signal Voltage	$V_{IN+-GND1}, V_{IN--GND1}$	-0.3	18	V
Driver Side Supply Voltage	$V_{CC2-V_{EE2}}$	-0.3	35	V
Output Signal Voltage	V_{OUT+}, V_{OUT-}	$V_{EE2}-0.3$	$V_{CC2}+0.3$	V
Operating Junction Temperature	T_J	-40	150	°C
Storage Temperature	T_{stg}	-65	150	°C

3. ESD Ratings

	Ratings	Value	Unit
Electrostatic discharge	Human body model (HBM), per AEC-Q100-002-RevD ● All pins	±2000	V
	Charged device model (CDM), per AEC-Q100-011-RevB ● All pins	±1500	V

4. Recommended Operating Conditions

Parameters	Symbol	Min	Max	Unit
Input Side Supply Voltage	$V_{CC1-GND1}$	3	17	V
Input Signal Voltage	$V_{IN+-GND1}, V_{IN--GND1}$	-0.3	17	V
Driver Side Supply Voltage	$V_{CC2-V_{EE2}}$ (NSI6601B)	10	32	V
	$V_{CC2-V_{EE2}}$ (NSI6601C)	13.7	32	
Ambient Temperature	T_A	-40	125	°C

5. Thermal Information

Parameters	Symbol	NSI6601		Unit
		SOP8	SOW8	
Junction-to-ambient thermal resistance	$R_{\theta JA}$	110	120	°C/W
Junction-to-top characterization parameter	Ψ_{JT}	18	38	°C/W

6. Specifications

6.1. DC Electrical Characteristics

(Unless otherwise noted, $V_{CC1}=5V$, $V_{CC2}=15V$, $V_{EE2}=GND2$. Typical values are at $T_A=25^\circ C$. All min and max specifications are at $T_A=-40^\circ C$ to $125^\circ C$)

Parameter	Symbol	Min	Typ	Max	Unit	Condition
Supply Currents						
Input Supply Quiescent Current	I_{CC1}		0.9	1.5	mA	
Output Supply Quiescent Current	I_{CC2}		1.6	3	mA	
Input Side Supply UVLO Threshold						
VCC1 UVLO Rising Threshold	V_{CC1_ON}		2.9	3.1	V	
VCC1 UVLO Falling Threshold	V_{CC1_OFF}	2.55	2.79		V	
VCC1 UVLO Hysteresis	V_{CC1_HYS}		0.11		V	
Driver Side Supply UVLO Threshold (NSI6601B, 9V UVLO Level)						
VCC2 UVLO Rising Threshold	V_{CC2_ON}		9.2	10	V	
VCC2 UVLO Falling Threshold	V_{CC2_OFF}	8	8.5		V	
VCC2 UVLO Hysteresis	V_{CC2_HYS}		0.7		V	
Driver Side Supply UVLO Threshold (NSI6601C, 13V UVLO Level)						
VCC UVLO Rising Threshold	V_{CC_ON}		13.2	13.7	V	
VCC UVLO Falling Threshold	V_{CC_OFF}	11.7	12.3		V	
VCC UVLO Hysteresis	V_{CC_HYS}		0.9		V	
Input Pin Characteristic						
Logic High Input Threshold (IN+, IN-)	V_{IN+H}, V_{IN-H}			$0.7 \times V_{CC1}$	V	
Logic Low Input Threshold (IN+, IN-)	V_{IN+L}, V_{IN-L}	$0.3 \times V_{CC1}$			V	
Input Hysteresis Voltage (IN+, IN-)	V_{hys_IN}		$0.1 \times V_{CC1}$		V	
IN+ Input Current	I_{IN+}		55	100	μA	$V_{IN+}=V_{CC1}$
IN- Input Current	I_{IN-}		55	100	μA	$V_{IN-}=GND1$
Output Pin Characteristic						
High Level Output Voltage	V_{OH}	$V_{CC2}-0.25$	$V_{CC2}-0.14$		V	$I_{OUT+}=-50mA$, $V_{IN+}=High$, $V_{IN-}=Low$
Low Level Output Voltage	V_{OL}		30	60	mV	$I_{OUT-}=50mA$, $V_{IN+}=Low$, $V_{IN-}=High$
Peak Source Output Current	I_{OUT+}	4	5		A	$V_{CC2}=15V$, pulse width $<10\mu s$

Peak Sink Output Current	I_{OUT-}	4	5		A	$V_{CC2}=15V$, pulse width<10 μ s
--------------------------	------------	---	---	--	---	--

6.2. Switching Characteristics

(Unless otherwise noted, $V_{CC1}=5V$, $V_{CC2}=15V$, $V_{EE2}=GND2$. Typical values are at $T_A=25^\circ C$. All min and max specifications are at $T_A=-40^\circ C$ to $125^\circ C$)

Parameter	Symbol	Min	Typ	Max	Unit	Condition
Minimum Pulse Width	t_{PWmin}		30	70	ns	
Propagation Delay	t_{pLH}	50	78	110	ns	$C_{LOAD}=100pF$
Propagation Delay	t_{pHL}	50	78	110	ns	$C_{LOAD}=100pF$
Pulse Width Distortion $ t_{pLH}-t_{pHL} $	t_{PWD}		2	25	ns	$C_{LOAD}=100pF$
Output Rise Time (20% to 80%)	t_R		9	20	ns	$C_{LOAD}=1nF$
Output Fall Time (80% to 20%)	t_F		8	19	ns	$C_{LOAD}=1nF$
Common Mode Transient Immunity	CMTI	150			kV/ μs	

6.3. Typical Performance Characteristics

(Unless otherwise noted, $V_{CC1}=5V$, $V_{CC2}=15V$, $V_{EE2}=GND2$, $T_A=25^\circ C$)

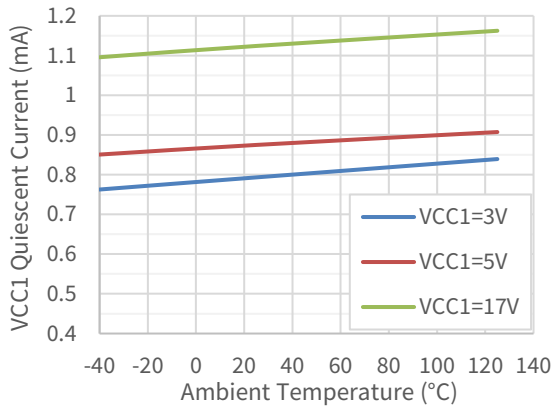


Figure 6.1 Input supply quiescent current versus Temperature

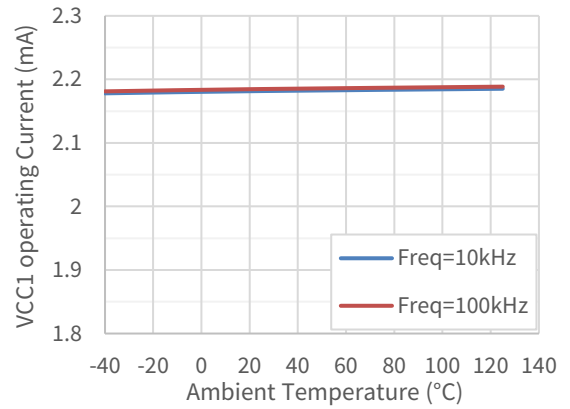


Figure 6.2 Input supply operating current versus Temperature

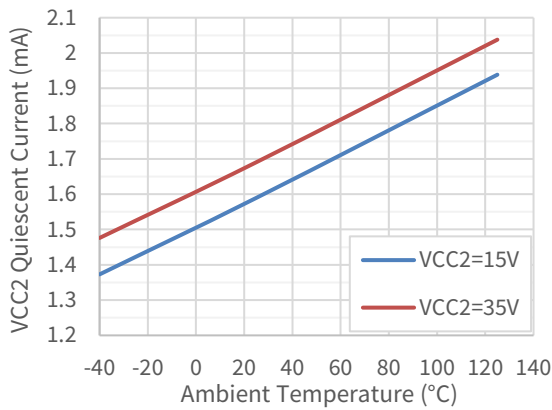


Figure 6.3 Output supply quiescent current versus Temperature

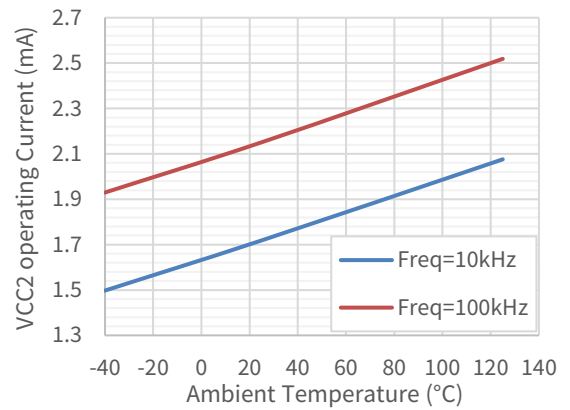


Figure 6.4 Output supply operating current versus Temperature

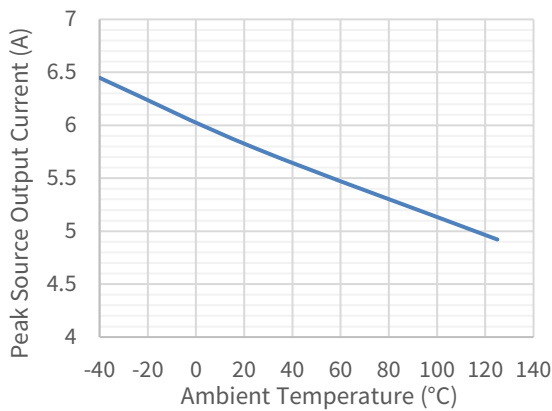


Figure 6.5 Peak source output current versus Temperature

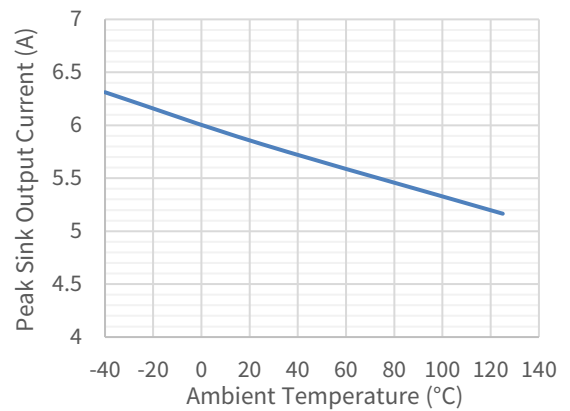


Figure 6.6 Peak sink output current versus Temperature

6.4. Parameter Measurement Information

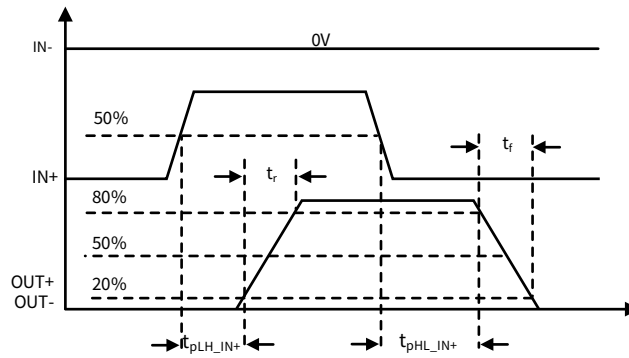


Figure 6.7 Propagation Delay, Rise Time and Fall Time, Non-inverting Configuration

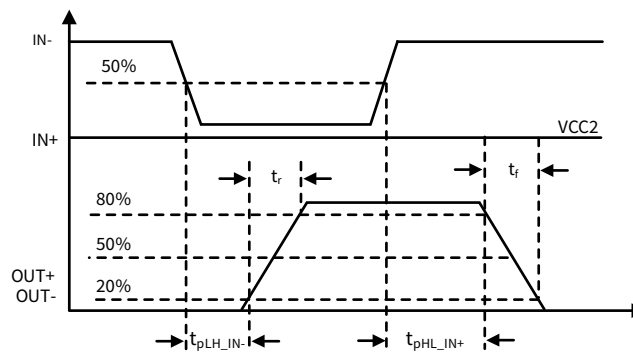


Figure 6.8 Propagation Delay, Rise Time and Fall Time, Inverting Configuration

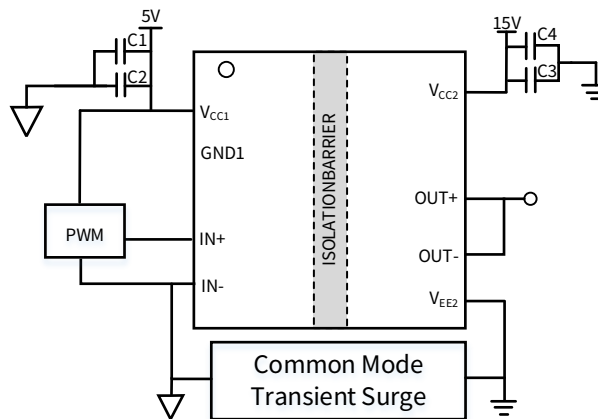


Figure 6.9 Common-Mode Transient Immunity Test Circuit

7. High Voltage Feature Description

7.1. Insulation and Safety Related Specifications

<i>Parameters</i>	<i>Symbol</i>	<i>NSI6601</i>		<i>Unit</i>	<i>Comments</i>
		<i>SOP8</i>	<i>SOW8</i>		
Minimum External Air Gap (Clearance)	CLR	4.0	8.0	mm	Shortest terminal-to-terminal distance through air
Minimum External Tracking (Creepage)	CPG	4.0	8.0	mm	Shortest terminal-to-terminal distance across the package surface
Distance Through Insulation	DTI	20	20	µm	Minimum internal gap
Tracking Resistance (Comparative Tracking Index)	CTI	>600	>600	V	DIN EN 60112 (VDE 0303-11); IEC 60112
Material Group		I	I		IEC 60112

7.2. DIN VDE V 0884-11 (VDE V 0884-11): 2017-01 Insulation Characteristics for SOP8 Package

Description	Test Condition	Symbol	Value	Unit
Overvoltage Category per IEC60664-1	For Rated Mains Voltage ≤ 150 V_{RMS}		I to IV	
	For Rated Mains Voltage ≤ 300 V_{RMS}		I to III	
Climatic Category			40/125/21	
Pollution Degree	per DIN VDE 0110, Table 1		2	
Maximum Working Isolation Voltage	AC voltage	V_{IOWM}	700	V
	DC voltage		990	V
Maximum Repetitive Peak Isolation Voltage		V_{IORM}	990	V
Apparent Charge	Input to Output Test Voltage, Method B1, $V_{pd(m)}=V_{IORM} \times 1.5$, 100% production test, $t_{ini}=t_m=1s$	q_{pd}	<5pC	pC
	Method A , After Environmental Tests Subgroup 1, $V_{pd(m)}=V_{IORM} \times 1.2$, $t_{ini}=60s$, $t_m=10s$			pC
	After Input and Output Safety Test Subgroup 2 and Subgroup 3, $V_{pd(m)}=V_{IORM} \times 1.2$, $t_{ini}=60s$, $t_m=10s$			pC
Maximum Transient Isolation Voltage	$t = 60s$	V_{IOTM}	4242	V
Maximum Withstanding Isolation Voltage	$V_{TEST}= V_{ISO}$, $t = 60 s$ (qualification); $V_{TEST}= 1.2 \times V_{ISO}$, $t = 1s$ (100%production)	V_{ISO}	3000	V
Maximum impulse voltage	Tested in air, 1.2/50 μ s waveform per IEC62368-1	V_{imp}	3500	V
Maximum Surge Isolation Voltage	Test method per IEC60065, 1.2/50 μ s waveform, $V_{IOSM} \geq V_{IMP} \times 1.3$	V_{IOSM}	6000	V
Isolation Resistance	$V_{IO}=500V$ at $T_A=T_S=25^\circ C$	R_{IO}	$>10^{12}$	Ω
	$V_{IO}=500V$ at $T_A=T_S=150^\circ C$		$>10^9$	Ω
	$V_{IO}=500V$ at $100^\circ C \leq T_A \leq 125^\circ C$		$>10^{11}$	Ω
Isolation Capacitance	$f = 1MHz$	C_{IO}	1	pF

7.3. Safety Limiting Values for SOP8 Package

Description	Test Condition	Symbol	Value	Unit	
Maximum Safety Temperature		T_s	150	°C	
Maximum Safety Power Dissipation	$R_{\theta JA}=110^{\circ}\text{C}/\text{W}, T_J=150^{\circ}\text{C}, T_A=25^{\circ}\text{C}$	P_s	Total	1.14	W
			Input Side	0.05	
			Output Side	1.09	
Maximum Safety Current	$R_{\theta JA}=110^{\circ}\text{C}/\text{W}, V_{CC2}=15\text{V}, T_J=150^{\circ}\text{C}, T_A=25^{\circ}\text{C}$	I_s	Output Side	73	mA
	$R_{\theta JA}=110^{\circ}\text{C}/\text{W}, V_{CC2}=30\text{V}, T_J=150^{\circ}\text{C}, T_A=25^{\circ}\text{C}$		Output Side	36	

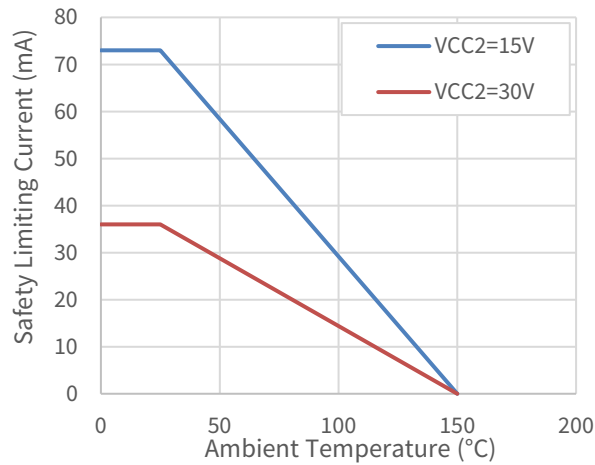


Figure 7.1 Thermal Derating Curve for Limiting Current per DIN VDE V 0884-11 for SOP8 Package

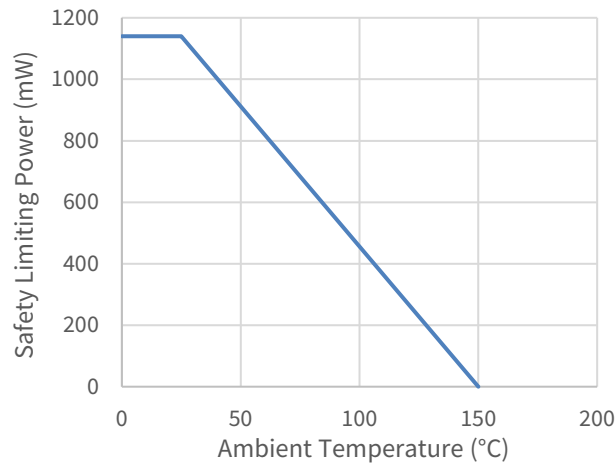


Figure 7.2 Thermal Derating Curve for Limiting Power per DIN VDE V 0884-11 for SOW8 Package

7.4. Regulatory Information for SOP8 Package

<i>UL</i>		<i>VDE</i>	<i>CQC</i>
UL 1577 Component Recognition Program	Approved under CSA Component Acceptance Notice 5A	DIN VDE V 0884-11(VDE V 0884-11):2017-01	Certified by CQC11-471543-2012 GB4943.1-2011
Single Protection, 3000V _{RMS} Isolation Voltage	Single Protection, 3000V _{RMS} Isolation voltage	Basic Insulation V _{IORM} =990V _{PEAK} , V _{IOTM} =4242V _{PEAK} , V _{IOSM} =4242V _{PEAK}	Basic Insulation at 700V _{RMS} (990V _{PEAK})
E500602		40050121	CQC20001264940

7.5. DIN VDE V 0884-11 (VDE V 0884-11): 2017-01 Insulation Characteristics for SOW8 Package

Description	Test Condition	Symbol	Value	Unit
Overvoltage Category per IEC60664-1	For Rated Mains Voltage $\leq 600V_{RMS}$		I to III	
	For Rated Mains Voltage $\leq 1000V_{RMS}$		I to II	
Climatic Category			40/125/21	
Pollution Degree			2	
Maximum Working Isolation Voltage	AC voltage	V_{IOWM}	1500	V
	DC voltage		2121	
Maximum Repetitive Peak Isolation Voltage		V_{IORM}	2121	V
Apparent Charge	Method B1, $V_{pd(m)}=V_{IORM} \times 1.875$, 100% production test, $t_{ini}=t_m=1s$	q_{pd}	<5	pC
	Method A , After Environmental Tests Subgroup 1, $V_{pd(m)}=V_{IORM} \times 1.6$, $t_{ini}=60s$, $t_m=10s$			pC
	Method A , After Input and Output Safety Test Subgroup 2 and Subgroup 3, $V_{pd(m)}=V_{IORM} \times 1.2$, $t_{ini}=60s$, $t_m=10s$, partial discharge <5pC			pC
Maximum Transient Isolation Voltage	$t = 60s$	V_{IOTM}	8000	V
Maximum Withstanding Isolation Voltage	$V_{TEST}=V_{ISO}$, $t = 60 s$ (qualification); $V_{TEST}= 1.2 \times V_{ISO}$, $t = 1s$ (100%production)	V_{ISO}	5700	
Maximum impulse voltage	Tested in air, 1.2/50us waveform per IEC62368-1	V_{imp}	6000	V
Maximum Surge Isolation Voltage	Test method per IEC60065, 1.2/50us waveform, $V_{TEST}=V_{IOSM} \times 1.6$	V_{IOSM}	10000	V
Isolation Resistance	$V_{IO} = 500V$ at $T_A=T_S=25^\circ C$	R_{IO}	$>10^{12}$	Ω
	$V_{IO} = 500V$ at $T_A=T_S=150^\circ C$		$>10^9$	Ω
	$V_{IO} = 500V$ at $100^\circ C \leq T_A \leq 125^\circ C$		$>10^{11}$	Ω
Isolation Capacitance	$f = 1MHz$	C_{IO}	1	pF

7.6. Safety Limiting Values for SOW8 Package

Description	Test Condition	Symbol	Value	Unit
Maximum Safety Temperature		T_s	150	°C
Maximum Safety Power Dissipation	$R_{\theta JA}=120^{\circ}\text{C}/\text{W}, T_J=150^{\circ}\text{C}, T_A=25^{\circ}\text{C}$	P_s	Total	1.04
			Input Side	0.05
			Output Side	0.99
Maximum Safety Current	$R_{\theta JA}=120^{\circ}\text{C}/\text{W}, V_{CC2}=15\text{V}, T_J=150^{\circ}\text{C}, T_A=25^{\circ}\text{C}$	I_s	Output Side	66
	$R_{\theta JA}=120^{\circ}\text{C}/\text{W}, V_{CC2}=30\text{V}, T_J=150^{\circ}\text{C}, T_A=25^{\circ}\text{C}$		Output Side	33

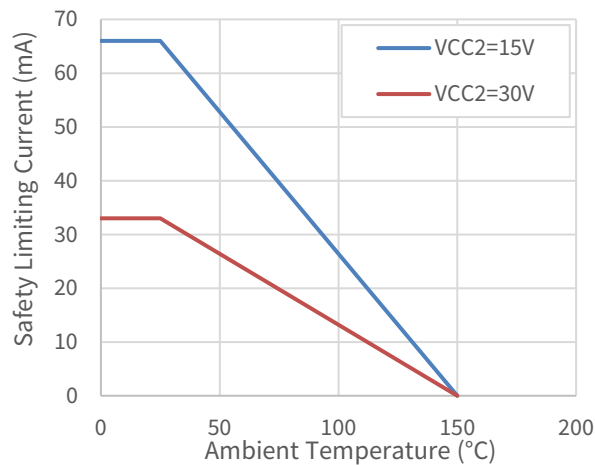


Figure 7.3 Thermal Derating Curve for Limiting Current per DIN VDE V 0884-11 for SOP8(300 mil) Package

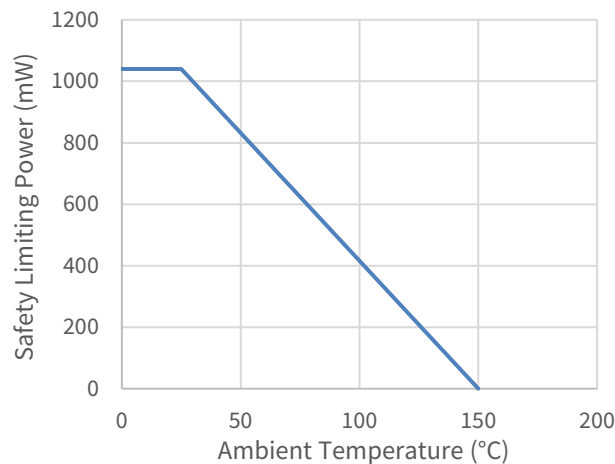


Figure 7.4 Thermal Derating Curve for Limiting Power per DIN VDE V 0884-11 for SOW8 Package

7.7. Regulatory Information for SOW8 Package

<i>UL</i>		<i>VDE</i>	<i>CQC</i>
UL 1577 Component Recognition Program	Approved under CSA Component Acceptance Notice 5A	DIN VDE V 0884-11(VDE V 0884-11):2017-01	Certified by CQC11-471543-2012 GB4943.1-2011
Single Protection, 5700V _{RMS} Isolation Voltage	Single Protection, 5700V _{RMS} Isolation voltage	Reinforced Insulation V _{IORM} =2121V _{PEAK} , V _{IOTM} =8000V _{PEAK} , V _{IOSM} =6250V _{PEAK}	Reinforced Insulation
E500602		40052820	CQC20001264940

8. Function Description

8.1. Overview

The NSI6601 is a high reliable power transistor gate driver. It has 9V and 13V UVLO version, which is suitable to drive MOSFET, IGBT, or SiC MOSFET. The NSI6601 is available in SOP8 narrow body or wide body package, which can support 3000V_{RMS} or 5700V_{RMS} isolation per UL1577. System robustness is supported by 150kV/μs minimum common-mode transient immunity (CMTI).

The isolation barrier inside NSI6601 is based on a capacitive isolation. The modulation uses OOK modulation technique with key benefits of high noise immunity and low radiation EMI. As shown in Figure 8.2, the digital signal is modulated with RF carrier generated by the internal oscillator at the transmitter side, then it is transferred through the capacitive isolation barrier and demodulated at the receiver side.

The functional block diagram of NSI6601 is shown in Figure 8.1. Two Input pins with non-inverting and inverting logic support interlock and shoot through protection. Low resistance of high side and low side MOSFET in the output stage ensures high driving capability. Split outputs can control the rise and fall time individually. Active pull-down and short circuit clamping features are implemented to protect power transistor.

8.2. Functional Block Diagram

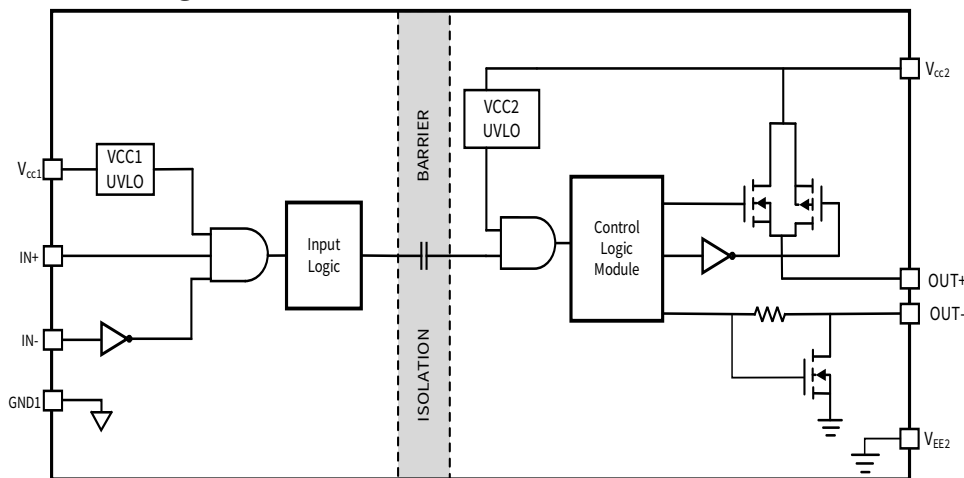


Figure 8.1 NSI6601 Functional Block Diagram

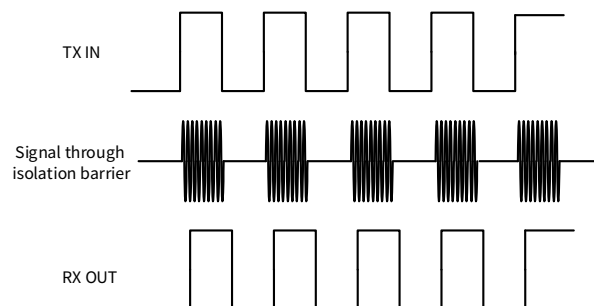


Figure 8.2 OOK Modulation

8.3. Truth Tables

Table 8.1 Driver Function Table ⁽¹⁾

V_{CC1} status	V_{CC2} status	Inputs		Outputs		Comment
		IN+	IN-	OUT+	OUT-	
PU	PU	H	L	H	Hi-Z	
PU	PU	L	H	Hi-Z	L	
PU	PU	H	H	Hi-Z	L	Interlock protection
PU	PU	L	L	Hi-Z	L	
PD	PU	X	X	Hi-Z	L	
PU	PD	X	X	Hi-Z	L	Active pull-down
PD	PD	X	X	Hi-Z	L	Active pull-down

(1) PD = Powered Down; PU = Powered Up; H = Logic High; L = Logic Low; X = Irrelevant

The IN+ pin is internally pulled down to GND1, while IN- pin is internally pulled up to VCC1, making the output of NSI6601 is low by default. To improve noise immunity, grounding an input or tying to VCC1 is recommended.

To control the output during normal operation, PWM from MCU is connected to IN+ pin or IN- pin. A minimum input pulse width is defined to filter occasional glitches.

From the truth table, interlock protection and active pull-down is obtained. See Chapter 7.6 and Chapter 8.2 for detailed description.

8.4. Output Stage

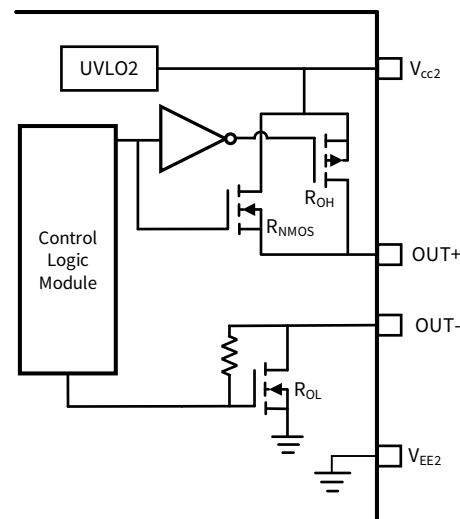


Figure 8.3 NSI6601 Output Stage

Table 8.2 NSI6601 Output Stage On-Resistance

R_{NMOS}	R_{OH}	R_{OL}	Unit
0.8	2.8	0.6	Ω

The NSI6601 has P-channel and N-channel MOSFET in parallel to pull up the OUT+ pin when turning on external power transistor. During DC measurement, only the P-channel MOSFET is conducting. The measurement result R_{OH} represents the on-resistance of P-

channel MOSFET.

The voltage and current of external power transistor drain to source or collector to emitter change during turn on. At that time, the NSI6601 N-channel MOSFET turns on to pull up OUT+ more quickly. It results external power transistor faster turn on time, lower turn on power loss, also leads to smaller temperature increase of NSI6601. The equivalent pull-up resistance of NSI6601 is the parallel combination $R_{OH} \parallel R_{NMOS}$. The result is quite small, indicating the strong driving capability of NSI6601. The pull-down structure of NSI6601 is simply composed of an N-channel MOSFET with on-resistance of R_{OL} . The result is quite small, indicating the strong driving capability of NSI6601.

8.5. V_{CC1} , V_{CC2} and Under Voltage Lock Out (UVLO)

To ensure correct switching the device is equipped with an undervoltage lockout for input and output power supply independently. V_{CC1} voltage should not fall below the UVLO threshold for normal operation, or else the gate-driver output can become clamped low. Output supply UVLO is referred to V_{EE2} pin. If $V_{CC2}-V_{EE2}$ falls below the UVLO threshold, OUT- of the gate-driver will be clamped low.

Local bypass capacitors should be placed between the V_{CC2} and V_{EE2} pins, as well as the V_{CC1} and GND1 pins. 220nF to 10 μ F is recommended for device biasing. Additional 100nF capacitor in parallel with the device biasing capacitor is recommended for high frequency filtering. The capacitors should be positioned as close to the device as possible for better noise filtering. Low-ESR, ceramic surface-mount capacitors are recommended.

8.6. Active Pull-Down

The Active Pull-Down feature ensures a safe IGBT or MOSFET off-state if V_{CC2} is not connected to the power supply. When V_{CC} is floating, the driver output is held low and clamping OUT to approximately 1.8V higher than V_{EE2} .

8.7. Short Circuit Clamping

During short circuit the gate voltage of IGBT or MOSFET tends to rise because of the feedback via the miller capacitance. The diode between OUT+ and V_{CC2} pins inside the driver limits this voltage to approximately 0.7V higher than the supply voltage. A maximum current of 500mA may be fed back to the supply through this path for 10 μ s. If higher currents are expected or tighter clamping is desired external Schottky diodes may be added.

9. Application Note

9.1. Typical Application Circuit

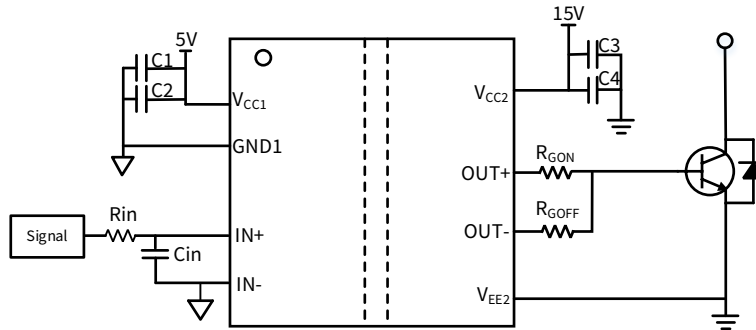


Figure 9.1 NSI6601 Typical Application Circuit

Bypassing capacitors for V_{CC1} and V_{CC2} supplies are needed to achieve reliable performance. To filter noise, 0.1 μ F/50V ceramic capacitor is recommended to place as close as possible to NSI6601, both at V_{CC1} and V_{CC2} side. For V_{CC2} supply, additional 10 μ F/50V ceramic capacitor is recommended, to support high peak currents when turning on external power transistor. If the V_{CC1} or V_{CC2} power supply is located long distance from the IC, bigger capacitance is needed.

The input filter composed by R_{in} and C_{in} can be used if input PWM has ring due to long traces or bad PCB layout. However, it will introduce longer propagation delay.

9.2. Interlock Protection

For applications to drive power transistors in half bridge configuration, two NSI6601 can be used. Interlock protection is possible as shown in Figure 9.2. If the controller has some mistake, leading to negative dead time, the output PWM of NSI6601 is adjusted to avoid power transistor shoot through.

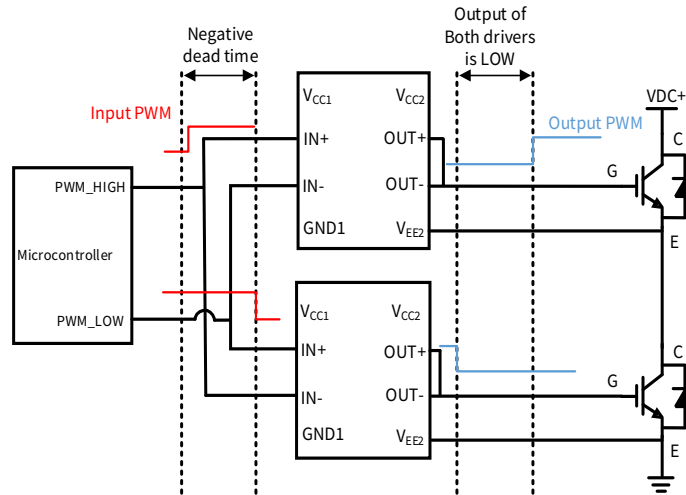


Figure 9.2 Interlock Protection using NSI6601

9.3. PCB Layout

Careful PCB layout is essential for optimal performance. Some key guidelines are:

- The bypass capacitors should be placed close to NSI6601, between V_{CC1} to GND1, or V_{CC2} to V_{EE2} .

- There is high switching current that charges and discharges the gate of external power transistor, leading to EMI and ring issues. The parasitic inductance of this loop should be minimized, by decreasing loop area and place NSI6601 close to power transistor.
- Place large amount of copper connecting to V_{EE2} pin and V_{CC2} pin for thermal dissipation, with priority on V_{EE2} pin. If the system has multi V_{EE2} or V_{CC2} layers, use multiple vias of adequate size for connection.
- To ensure isolation performance between primary and secondary side, the space under the chip should keep free from planes, traces, pads or via.

10. Package Information

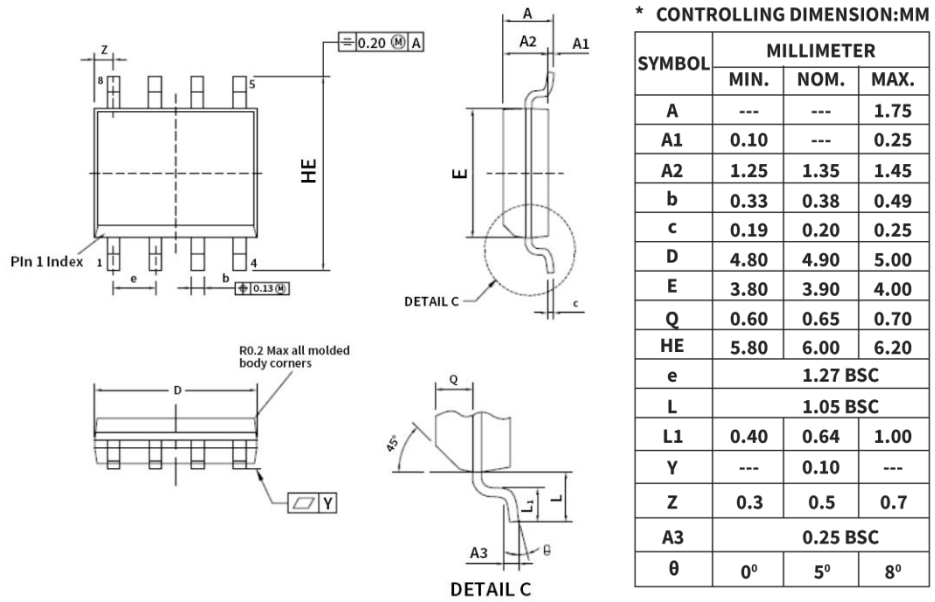


Figure 10.1 SOP8 Package Shape and Dimension in millimeters

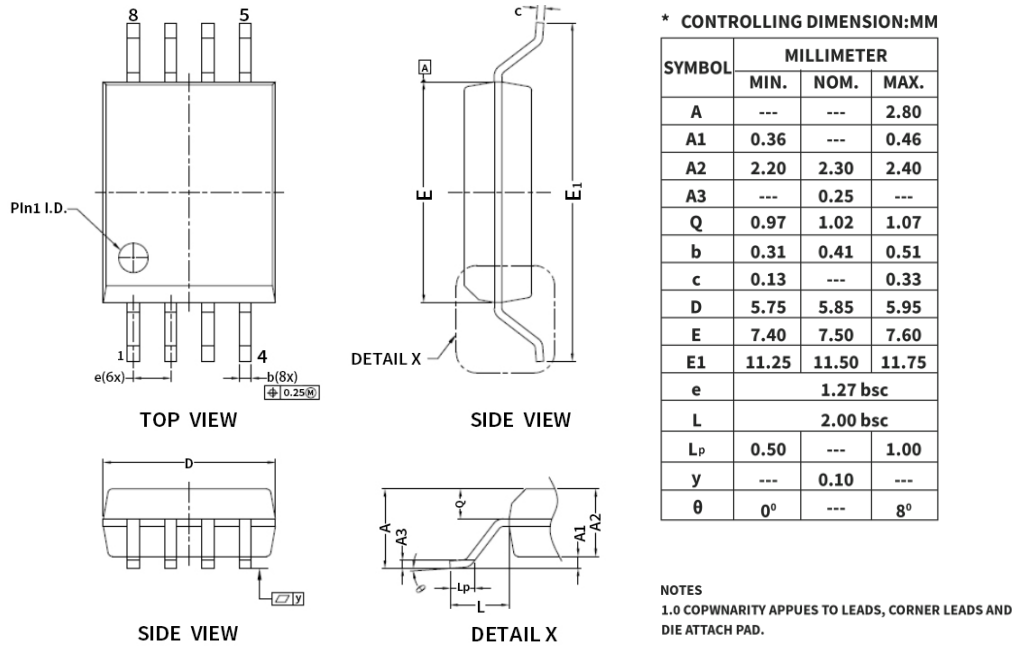


Figure 10.2 SOW8 Package Shape and Dimension in millimeters

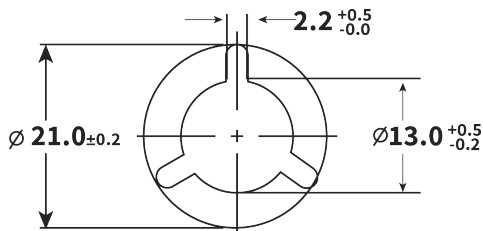
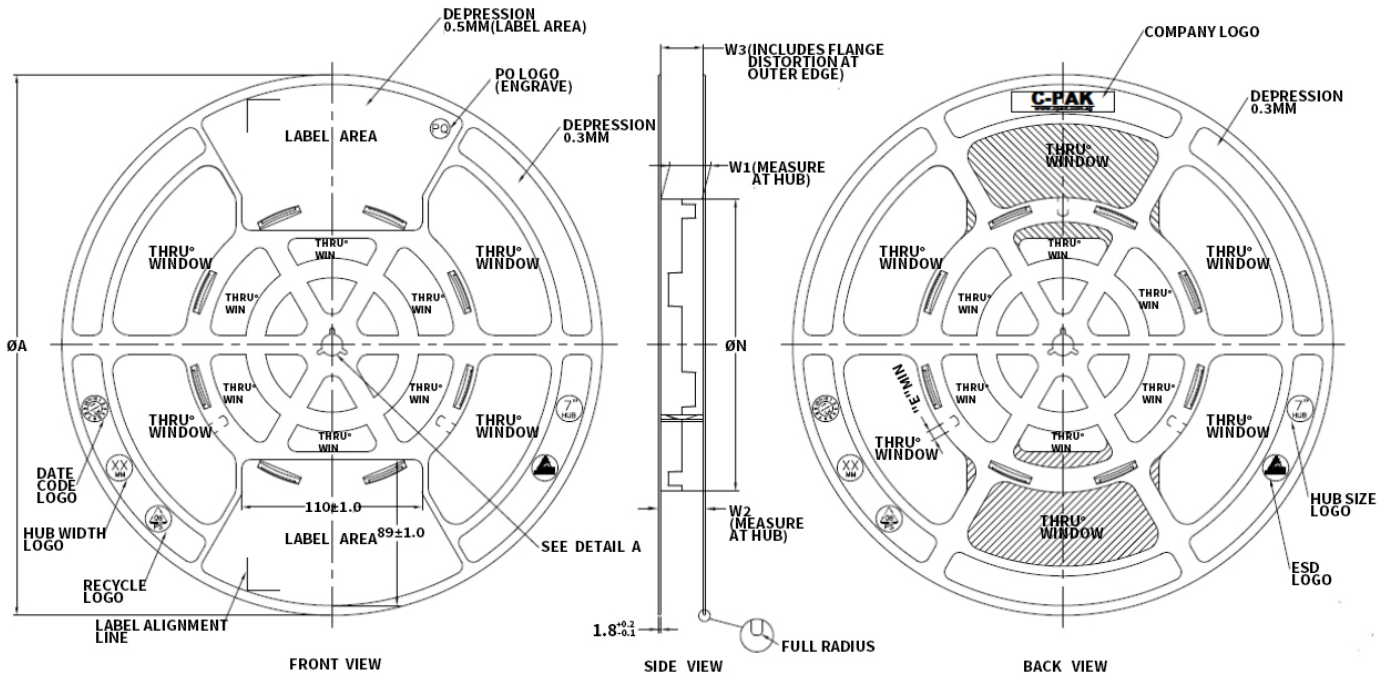
11. Ordering Information

<i>Part Number</i>	<i>Isolation Rating (kV)</i>	<i>UVLO Level</i>	<i>Temperature</i>	<i>MSL</i>	<i>Package Type</i>	<i>SPQ</i>	<i>AEC-Q100</i>
NSI6601B-DSPR	3	9V	-40 to 125°C	1	SOP8	2500	NO
NSI6601C-DSPR	3	13V	-40 to 125°C	1	SOP8	2500	NO
NSI6601C-DSWVR	5	13V	-40 to 125°C	3	SOW8	1000	NO
NSI6601B-DSWVR	5	9V	-40 to 125°C	3	SOW8	1000	NO
NSI6601C-Q1SWVR	5	13V	-40 to 125°C	3	SOW8	1000	YES
NSI6601B-Q1SWVR	5	9V	-40 to 125°C	3	SOW8	1000	YES

12. Documentation Support

<i>Part Number</i>	<i>Product Folder</i>	<i>Datasheet</i>	<i>Technical Documents</i>	<i>Isolated Driver Selection Guide</i>
NSI6601	tbd	tbd	tbd	tbd

13. Tape and Reel Information



PRODUCT SPECIFICATION						
TAPE WIDTH	Ø A ±2.0	Ø N ±2.0	W1	W2 (Max)	W3	E (MIN)
08MM	330	178	8.4 ^{+1.5} _{-0.0}	14.4	SHALL ACCOMMODATE TAPE WIDTH WITHOUT INTERFERENCE	5.5
12MM	330	178	12.4 ^{+2.0} _{-0.0}	18.4		5.5
16MM	330	178	16.4 ^{+2.0} _{-0.0}	22.4		5.5
24MM	330	178	24.4 ^{+2.0} _{-0.0}	30.4		5.5
32MM	330	178	32.4 ^{+2.0} _{-0.0}	38.4		5.5

SURFACE RESISTIVITY			
LEGEND	SR RANGE	TYPE	COLOUR
A	BELOW 10 ¹²	ANTISTATIC	ALL TYPES
B	10 ⁶ TO 10 ¹¹	STATIC DISSIPATIVE	BLACK ONLY
C	10 ⁵ & BELOW 10 ⁵	CONDUCTIVE(GENERIC)	BLACK ONLY
E	10 ⁹ TO 10 ¹¹	ANTISTATIC(COATED)	ALL TYPES

Figure 13.1 Tape Information

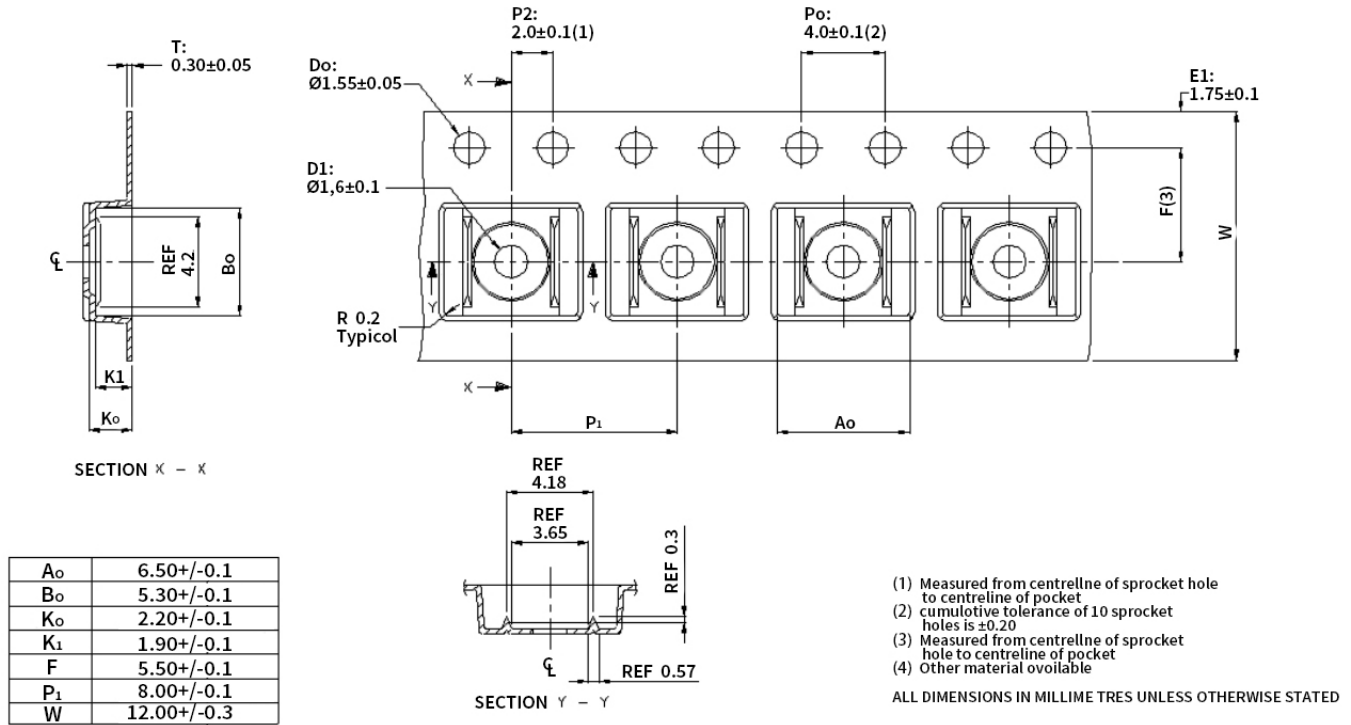
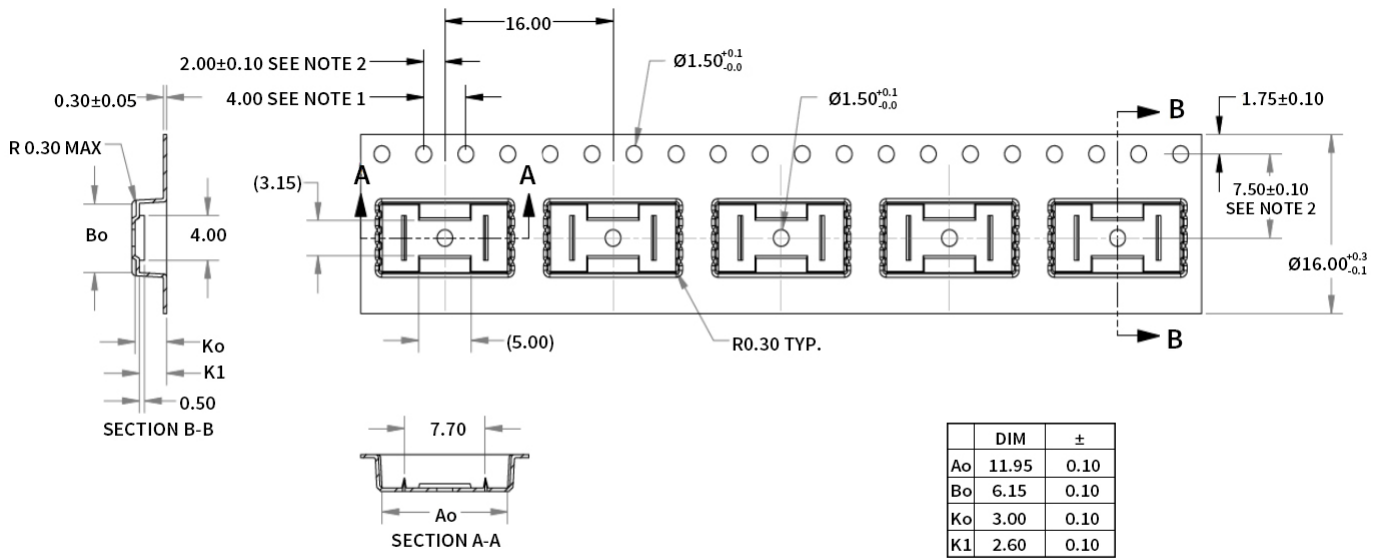


Figure 13.2 Reel Information of SOP8(150 mil)



NOTES:
 1. 10 SPROCKET HOLE PITCH CUMULATIVE TOLERANCE ±0.2
 2. POCKET POSITION RELATIVE TO SPROCKET HOLE MEASURED AS TRUE POSITION OF POCKET, NOT POCKET HOLE.
 3Ao AND Bo ARE MEASURED ON A PLANE AT A DISTANCE "R" ABOVE THE BOTTOM OF THE POCKET.

Figure 13.3 Reel Information of SOP8(300 mil)

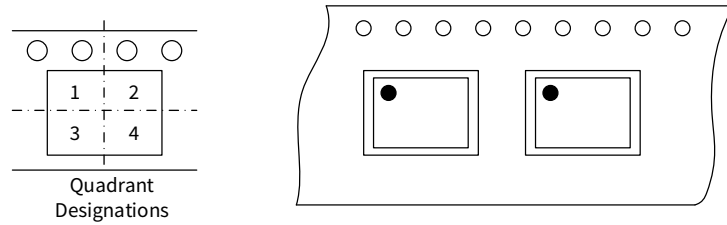


Figure 13.4 Quadrant Designation for Pin1 Orientation in Tape

14. Revision History

Revision	Description	Date
1.0	Initial version	2020/12/22
1.1	Update figure	2021/7/8
1.2	Update high voltage feature description	2021/10/28
1.3	1.Modified device information 2.Modified High Voltage Feature Description 3. Modify device name from NSi6601 to NSI6601 4. Modify SOP8(150mil) to SOP8, SOP8(300mil) to SOW8 5. Change the description of ESD Ratings 6.Update regulation information	2023/9/11

IMPORTANT NOTICE

The information given in this document shall in no event be regarded as any warranty or authorization of, express or implied, including but not limited to accuracy, completeness, merchantability, fitness for a particular purpose or infringement of any third party's intellectual property rights.

You are solely responsible for your use of Novosense' products and applications, and for the safety thereof. You shall comply with all laws, regulations and requirements related to Novosense's products and applications, although information or support related to any application may still be provided by Novosense.

The resources are intended only for skilled developers designing with Novosense' products. Novosense reserves the rights to make corrections, modifications, enhancements, improvements or other changes to the products and services provided. Novosense authorizes you to use these resources exclusively for the development of relevant applications designed to integrate Novosense's products. Using these resources for any other purpose, or any unauthorized reproduction or display of these resources is strictly prohibited. Novosense shall not be liable for any claims, damages, costs, losses or liabilities arising out of the use of these resources.

For further information on applications, products and technologies, please contact Novosense (www.novosns.com).

Suzhou Novosense Microelectronics Co., Ltd