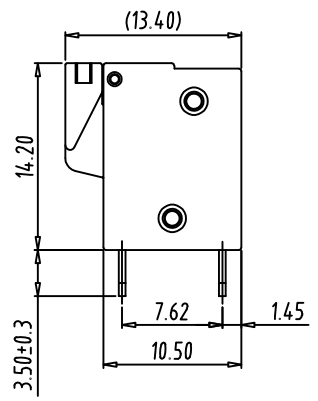
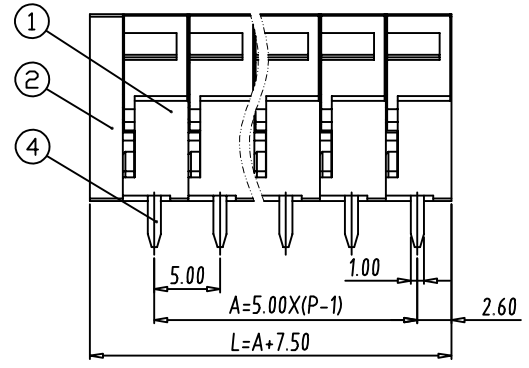
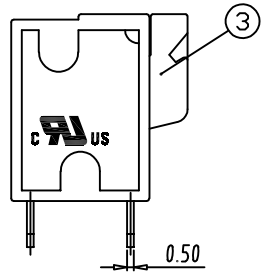
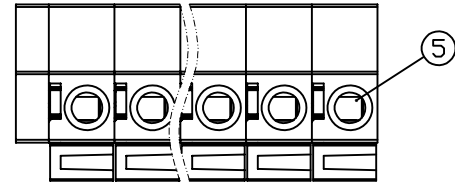
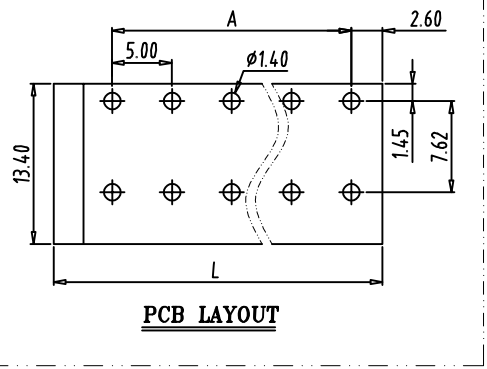


Transfer or duplication of this document as well as the utilisation or communication of its content are not permitted unless express consent is granted. Violations give rise to claims for damages. All rights reserved in case of patent, utility model or design patent registrations.



- Technical data**
- Nominal voltage: 300V/10A
PITCH:5.0mm
 - Connection capacity:
AWG 24-14
 - Insulation Withstanding Voltage:
AC 1600V/MIN
 - Insulation Resistance:
500M Ω min at DC500V
 - Stripping length: 9-10mm
 - Operating temperature range:-40°C - 115°C
Soldering temperature:250°C \pm 10°C /5s
 - Safety approval:
 - RoHS Compliance

Part No.: **OSTHAXX3050**

No. of Poles	COLOR
02 2 Poles	0: Black
03 3 Poles	2: Red
...	3: Orange
24 24 Poles	4: Yellow
	5: Green (Standard)
	6: Blue
	8: Grey

Nonstandard colors
Mins could apply

Total Pitch Tolerances in mm								Nominal dimension range in mm							
over	over	over	over	over	over	over	over	over	over	over	over	over	over	over	over
0	30	53	70	90	115	150	200	0	30	53	70	90	115	150	200
to	to	to	to	to	to	to	to	to	to	to	to	to	to	to	to
30	53	70	90	115	150	200	250	30	53	70	90	115	150	200	250
±0.20	±0.25	±0.3	±0.35	±0.44	±0.55	±0.70	±0.85	±0.25	±0.30	±0.35	±0.44	±0.55	±0.70	±0.80	±1.20

5	WIRE GUARD	Stainless steel		P
4	CONTACT	BRASS	Tin PLATED	P
3	LEVEL	PA66 UL94V-0	Orange	P
2	End COVER	PA66 UL94V-0	ALL COLOR	1
1	BODY	PA66 UL94V-0	ALL COLOR	P
ITEM	NAME OF PART	MATERIAL	NOTES	Q'TY
DWG.	WF. Zhang	DATE	2023.01.14	UNITS: MM SHEET: 1 OF 1 Tolerance
CHK.	WF. Zhang	DATE	2023.01.14	SCALE: NONE 3:1 (:) REV.: A X. ±0.50 X.X ±0.30 X.XX ±0.10 X* ±1*
APP.		DATE		TITLE: OSTHA 5.0 Series 90D wire inlet (Vertical) PART NO. OSTHAXX3050 DWG NO. OSTHAXX3050.dwg

SIGN	DESCRIPTION	CHK.	DATE



ON-SHORE TECHNOLOGY, INC.