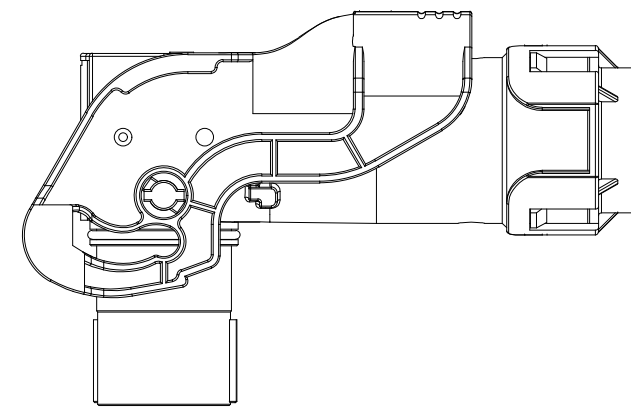
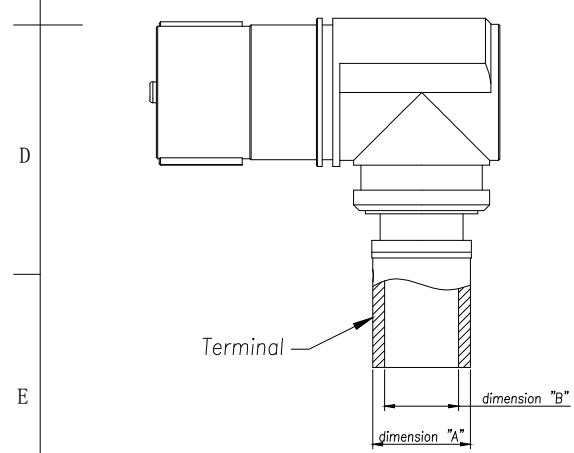
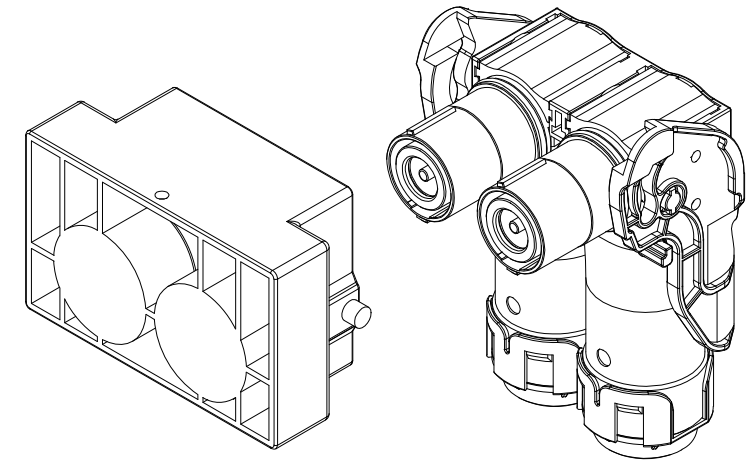
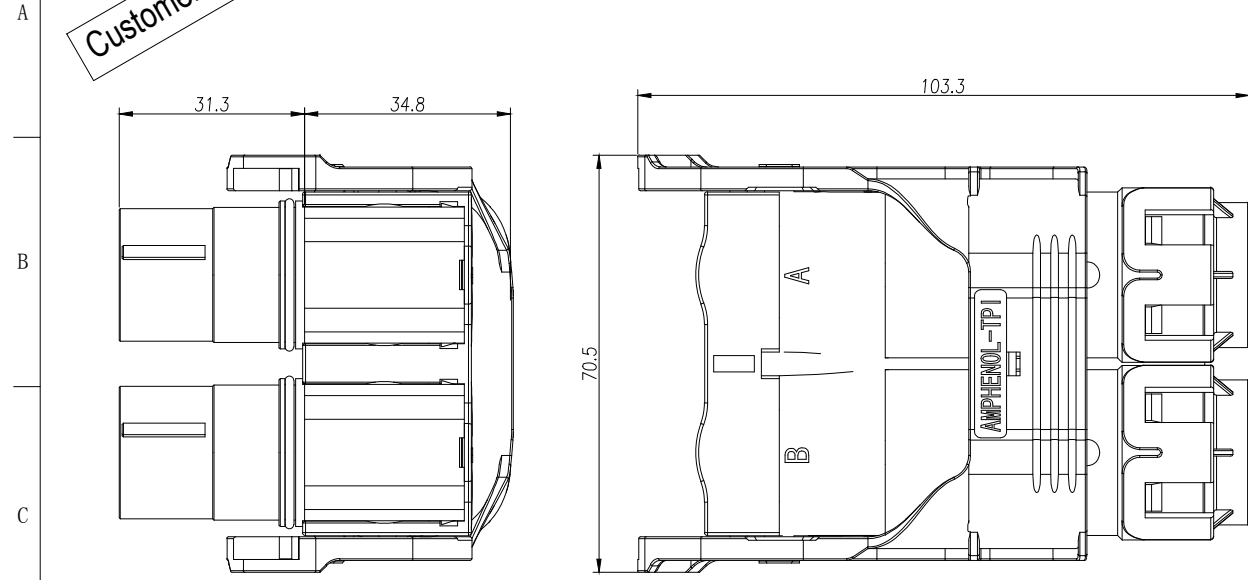


THIS DRAWING IS SUPPLIED FOR INFORMATION ONLY. DESIGN FEATURES, SPECIFICATIONS AND PERFORMANCE DATA SHOWN HEREON ARE THE PROPERTY OF THE AMPHENOL CORPORATION. NO RIGHTS OF REPRODUCTION ARE IMPLIED. ALL DIMENSIONS ARE SUBJECT TO NORMAL MANUFACTURING VARIATIONS.

Customer Drawing

REV		ZONE	ECO	DESCRIPTION	DATE	BY	APPR
A	--	--	--	INITIAL RELEASE	05/06/16	KC	GX
B	--	--	--	Update cable specifications	12/26/17	Sam	Penny
C	--	ECNG180802		Add Metal Cover And Sealing Ring	08/21/18	Fred	JL
D	--	ECNG180802		Update Spec	08/29/18	Fred	JL



Standard Part List (With HVIL)

Model NO.	overall-diameter nominal (mm)	Dia Primary Insulation (mm)	outside-diameter of terminal (mm): "A"	inside-diameter of terminal (mm): "B"
PL282X-301-35-5	12.7±0.3	△9.7±0.3	△11.8±0.3	△8.8±0.3
PL282Y-301-35-5	12.7±0.3	△9.7±0.3	△11.8±0.3	△8.8±0.3
PL282X-301-50-5	14.9±0.3	△11.5±0.3	△14.5±0.3	△10.3±0.3
PL282Y-301-50-5	14.9±0.3	△11.5±0.3	△14.5±0.3	△10.3±0.3
PL282X-301-70-5	17.0±0.3	△13.7±0.3	△16.5±0.3	△12.5±0.3
PL282Y-301-70-5	17.0±0.3	△13.7±0.3	△16.5±0.3	△12.5±0.3

Standard Part List (Without HVIL)

Model NO.	overall-diameter nominal (mm)	Dia Primary Insulation (mm)	outside-diameter of terminal (mm): "A"	inside-diameter of terminal (mm): "B"
PL282X-300-35-5	12.7±0.3	△9.7±0.3	△11.8±0.3	△8.8±0.3
PL282Y-300-35-5	12.7±0.3	△9.7±0.3	△11.8±0.3	△8.8±0.3
PL282X-300-50-5	14.9±0.3	△11.5±0.3	△14.5±0.3	△10.3±0.3
PL282Y-300-50-5	14.9±0.3	△11.5±0.3	△14.5±0.3	△10.3±0.3
PL282X-300-70-5	17.0±0.3	△13.7±0.3	△16.5±0.3	△12.5±0.3
PL282Y-300-70-5	17.0±0.3	△13.7±0.3	△16.5±0.3	△12.5±0.3

订购信息 Ordering Information

PL28 2 X - 30 1 - 70 - 5

键位及颜色 Key "X" Key "Y" Key	高压互锁 HVIL 0, 不带互锁 No HVIL 1, 带互锁 With HVIL	线缆大小 Cable Size "70"=70mm ² "50"=50mm ² "35"=35mm ²
---------------------------------	--------------------------------------------------	-----------------------------------------------------------------------------------------------

规格参数 (Spec.):

- 工作温度 Operating temperature: -40° C~+125° C.
- 额定电流 Current rating (Connector Only): 35mm²: 150A; 50mm²: 200A; 70mm²: 250A. △ D
- 额定电压 Operating voltage: 1000 VDC.
- 耐电压 Dielectric withstanding voltage: 5000 VDC.
- 防护等级 Protection class: IP67 & IP2X.
- 电磁屏蔽 Shielding.
- 机械寿命 Mating cycle: 100 Min. △ D
- 带自动二次锁扣 Automatic secondary lock.
- 带高压互锁 Electrical interlock (HVIL).

		Amphenol Technical Products International Asia.				
		第三角投影 THIRD ANGLE PROJECTION	页面 SHEET	幅面 SIZE	版次 REV.	比例 SCALE
签名 SIGNATURE Fred 日期 DATE 08/29/18		1 OF 1 A3 D			DWG NO: PL282()-300-5	
制图 DRAWN Fred		UNLESS OTHERWISE SPECIFIED 1) All dimensions are in metric (mm). 2) Tolerances are as follows: 0 PL DEC ±1.00 1 PL DEC ±0.50 2 PL DEC ±0.20			CUST PART #: N/A	
审核 CHECKED		Angles ±1°			CUST REV. -	
批准 APPROVAL						