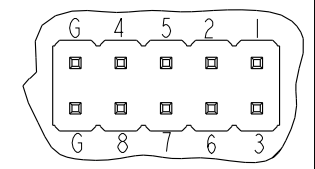
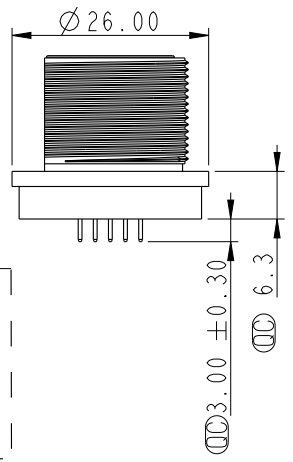
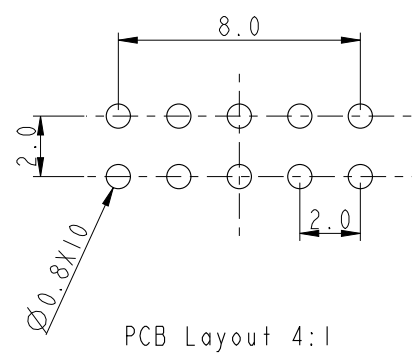
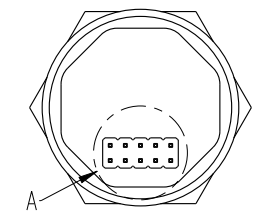
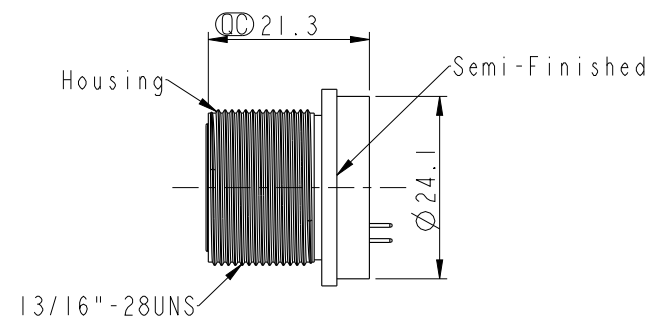
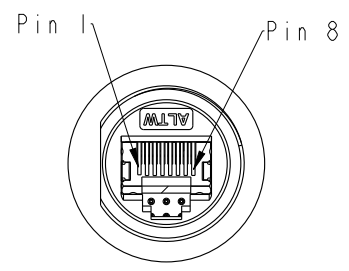
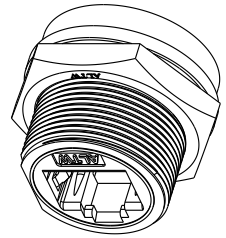
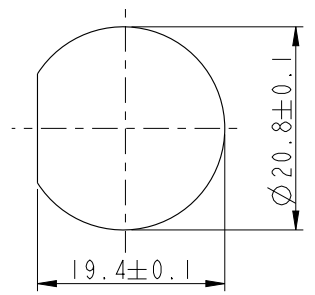


REV.	ECN NO.	DATE	SIGN	DESCRIPTION
A		2020/05/06	Peng	NEW Initial



Detail "A"  
Scale 3:1

- Notes:
- \*  $\varnothing$  Important Dimension.
  - \* Waterproof Rate: IP67.Unmated
  - \* RJ45 Sheet: Nickel Plated.
  - \* Wafer: Black.
  - \* RJ45 Insret: Black.
  - \* Screw Nut: Thermoplastic, Black.
  - \* Gasket: Rubber, Black.
  - \* Use With Waterproof Cap Or Dust Cap  
Panel Thickness Max: 3.0mm
  - \* Use Without Waterproof Cap Or Dust Cap  
Panel Thickness Max: 4.2mm
  - \* Gasket and Nut are packed separately in PE bags.



Recommended Panel Cut-Out



UNIT: mm		TITLE PANEL LOCK F CONN F PIN
TOLERANCE .X ±0.25 .XX ±0.1 .XXX ±0.05 ANGLES ±1°	SCALE 1:1	SIZE A4
	REV. A	WC-REV. .0
		$\varnothing$ : Inspection item

**Amphenol LTW**  
安費諾亮泰企業股份有限公司

ITEM NO RCP-5SPFFC-SCU7001	DRAWN BY Peng	DATE 2020/04/27
DWG NO RCP-5SPFFC-SCU7001	CHECKED BY Feng_Li	DATE 2020/04/27
CUSTOMER ALTW	APPROVED BY Jerry	DATE 2020/04/27

THIS DOCUMENT IS SUBJECT TO CHANGE WITHOUT NOTICE. IT IS CONFIDENTIAL AND A PROPERTY OF Amphenol LTW. DISCLOSURE TO THIRD PARTY HAS TO BE AUTHORIZED BY Amphenol LTW.