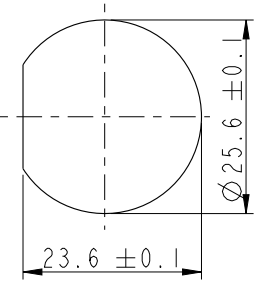
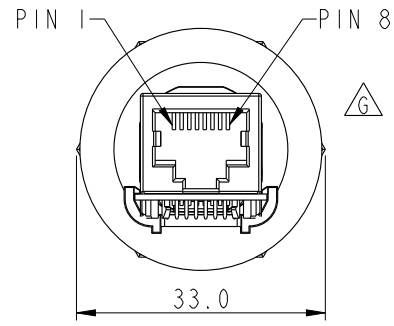
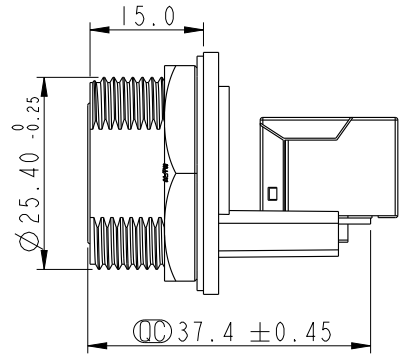
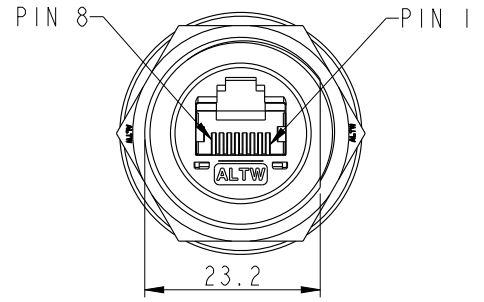
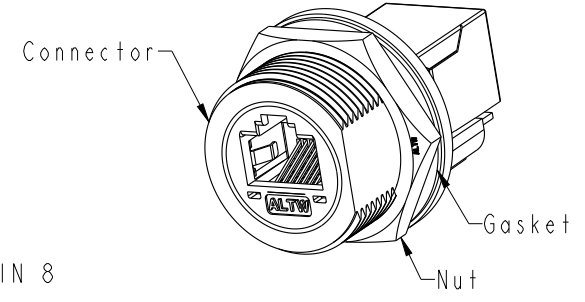
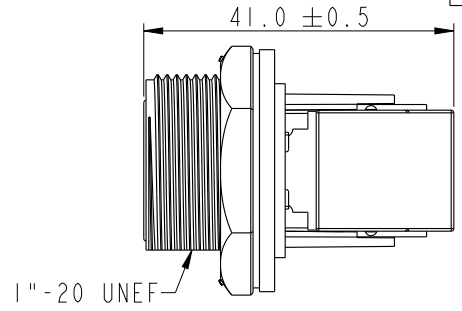


THIS DOCUMENT IS SUBJECT TO CHANGE WITHOUT NOTICE. IT IS CONFIDENTIAL AND A PROPERTY OF Amphenol LTW. DISCLOSURE TO THIRD PARTY HAS TO BE AUTHORIZED BY Amphenol LTW.

REV.	ECN NO.	DATE	SIGN	DESCRIPTION
E	C190405	2019/03/15	Ruru	Modify Note
F	C220800	2022/05/31	Vicky	$\triangle F$ *2
G	C230022	2023/01/07	Zhi Cheng	$\triangle G$ *2



Recommended Panel Cut-Out

- $\triangle G$ $\triangle E$ $\triangle F$ Note:
- * RoHS Compliant
 - * \varnothing Important dimension
 - * Waterproof rate: IP67, mated
 - * Connector
Housing: Thermoplastic, Black, RJ45 jack, shielded
 - * Nut: Thermoplastic, Black
 - * Gasket: Rubber, Gray
 - * Use with waterproof cap or dust cap
Panel thickness max: 2.4mm
 - * Use without waterproof cap or dust cap
Panel thickness max: 3.6mm
 - * Gasket and nut are packed separately in pe bag

UNIT: mm		
TOLERANCE		
.X	±0.25	
.XX	±0.1	
.XXX	±0.05	
ANGLES	±1°	

TITLE RJ, D PLASTIC, C5E SHLD FRONT FASTENED, F, PNL JACK S, SCREW $\triangle F$			
SCALE 1:1	SIZE A4	SHEET 1 OF 1	
REV. G	WC-REV. A.8	\varnothing : Inspection item	

Amphenol LTW
安費諾亮泰企業股份有限公司

ITEM NO RDP-5SPFFH-SCM7001	DRAWN BY Ruru	DATE 2019-03-15
DWG NO RDP-5SPFFH-SCM7001	CHECKED BY Rita	DATE 2019-03-15
CUSTOMER ALTW	APPROVED BY Max	DATE 2019-03-15