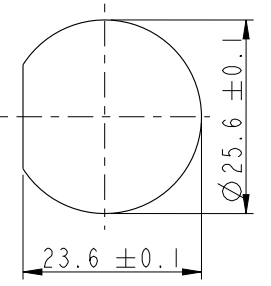
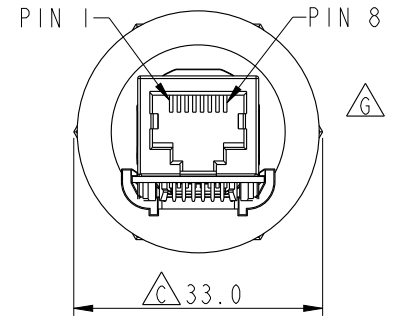
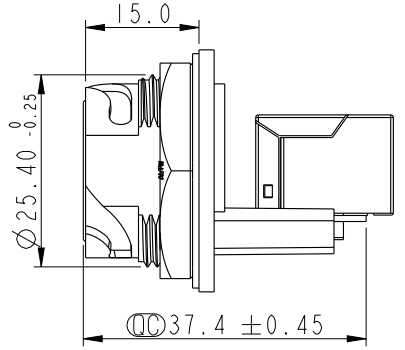
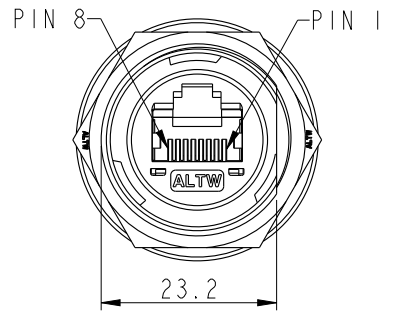
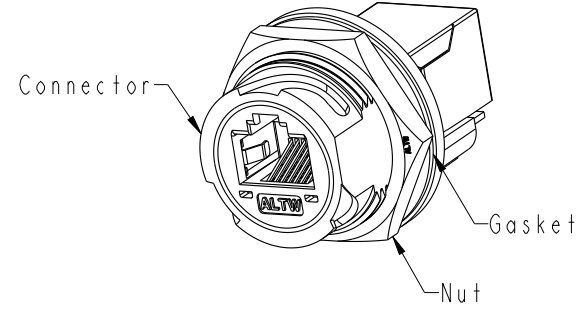
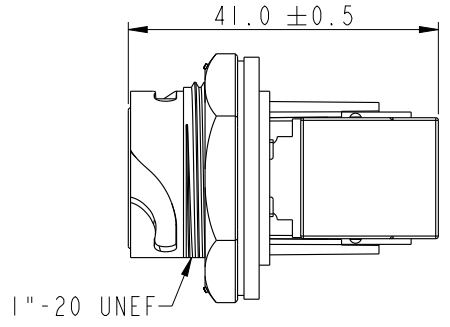


THIS DOCUMENT IS SUBJECT TO CHANGE WITHOUT NOTICE. IT IS CONFIDENTIAL AND A PROPERTY OF AMPHENOL LTW. DISCLOSURE TO THIRD PARTY HAS TO BE AUTHORIZED BY AMPHENOL LTW.

REV.	ECN NO.	DATE	SIGN	DESCRIPTION
E	C190405	2019/03/15	Ruru	Modify Note
F	C220800	2022/05/31	Vicky	△F X2
G	C230022	2023/01/07	Zhi Cheng	△G *2



Recommended Panel Cut-Out

- △G △E △F Note:
- * RoHS Compliant
 - * ⌀ Important dimension
 - * Waterproof rate: IP67, mated
 - * Connector Housing: Thermoplastic, Black, RJ45 jack, shielded
 - * Nut: Thermoplastic, Black
 - * Gasket: Rubber, Gray
 - * Use with waterproof cap or dust cap
Panel thickness max: 1.3mm
 - * Use without waterproof cap or dust cap
Panel thickness max: 2.5mm
 - * Gasket and nut are packed separately in pe bag

UNIT: mm			TITLE RJ, D PLASTIC, C5E SHLD FRONT FASTENED, F, PNL JACK S, 3LOCK		
TOLERANCE	.X ±0.25	.XX ±0.1	SCALE 1:1	SIZE A4	SHEET 1 OF 1
.XXX ±0.05	ANGLES ±1°		REV. G	WC-REV. A.8	QC: Inspection item

Amphenol LTW
安費諾亮泰企業股份有限公司

ITEM NO. RDP-5SPFFH-TCM7001	DRAWN BY Ruru	DATE 2019-03-15
DWG NO. RDP-5SPFFH-TCM7001	CHECKED BY Rita	DATE 2019-03-15
CUSTOMER ALTW	APPROVED BY Max	DATE 2019-03-15