

SI-8008TMX

Jan. 2010

◆General description

SI-8008TMX attains an oscillation frequency of 300kHz, and has an integrated miniaturized choke coil, allowing it to serve as a high efficiency power supply in a compact TO252-5 (equivalent to SC-63).

SI-8008TMX regulators provides various features and protection functions (overcurrent and thermal protection) which are necessary for switching regulators.

Only 6 external components are required, and provides high efficiency switching regulation without any need for adjustment.

Device supplies 1.5A output current in a compact surface mount package.

◆Package

Package name: TO252-5



◆Applications

- DVD recorder, FPD TV
- OA equipment (printers, etc)
- On-board local power supplies,

◆ Specification

	SI-8008TMX (variable type)
Input voltage	43V
Output current	0 - 1.5A
Output voltage	0.8V ± 2% (reference voltage)
Efficiency (MAX)	81% (5V output)

◆Features

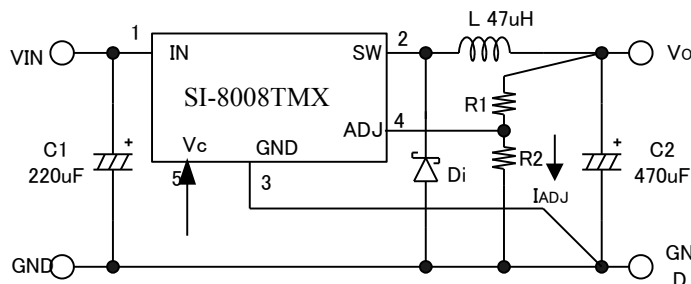
- High efficiency 81% (VIN=15V, Io=0.5A)
- Shutdown supply current: 1μA(MAX)
- Requires only 6 discrete components
- Built-in reference oscillator (Oscillating

frequency:300kHz(TYP)

- Built-in drooping-type-overcurrent and thermal protection circuits

- Built-in on-off pin (Active Hi) Off in open

Typical application circuit



- C1 : 220μF
- C2 : 470μF
- L1 : 47μH
- Di : SJPB-H6 (SanKen)

SI-8008TMX

Jan. 2010

1. Scope

This specification shall apply to the IC SI-8008TMX for buck switching regulator

2. Outline

Type	Semiconductor integrated circuits (monolithic IC)
Structure	Resin molding type (transfer molding)
Application	<ul style="list-style-type: none"> • DC regulated power supplies • Telecommunication on-board local power supplies • OA equipment • Stabilization of secondary output voltage of switching regulator

3. Absolute maximum ratings

3.1 Absolute maximum ratings

Item	Symbol	Ratings	Unit	Conditions
Input voltage	V_{IN}	43	V	
Output ON/OFF control pin voltage	V_C	V_{IN}	V	
Allowable dissipation 1	P_{D1}	1.06	W	Glass epoxy board mounting (900mm ² , copper foil area 4.3%)
Allowable dissipation 2	P_{D2}	1.65	W	Glass epoxy board mounting (900mm ² , copper foil area 50%)
Junction temperature	T_j	-30 - 150	°C	The product incorporates the thermal shut down circuit, and it may operate when the junction temperature exceeds 130°C. It is recommended to design below 125°C for the junction temperature in operation.
Storage temperature	T_{stg}	-40 - 150	°C	
Thermal resistance (junction – case)	θ_{j-c}	6	°C/W	
Thermal resistance (junction – ambient)	θ_{j-a}	95	°C/W	Glass epoxy board mounting (900mm ² , copper foil area 4.3%)

3.2 Recommended operation conditions

Item	Symbol	Ratings		Unit	Conditions
		MIN	MAX		
Input voltage range	V_{IN}	V_O+3 *1	40	V	$I_O=0 - 1.5A$
Output voltage range	V_O	0.8 - 24		V	
Output current range	I_{OUT}	0 - 1.5		A	$V_{IN} \geq V_O+3V$ *2
Junction temperature range in operation	T_{jOP}	-20 - 100		°C	
Operation temperature range	T_{OP}	-20 - 85		°C	*2

*1 The minimum value of input voltage range is 4.5V or $V_O + 3V$ whichever higher.

$I_{OUT}=1A$ (MAX) when $V_{IN}=V_O+2 - V_O+3V$.

*2 It is necessary to use within the thermal derating curve (refer to 4-3).

SI-8008TMX

Jan. 2010

4. Electrical characteristics

4.1 Electrical characteristics (Ta=25°C, V_{OUT}=5V, R1=4.2kΩ, R2=0.8kΩ)

Item	Symbol	Ratings			Unit	Conditions
		MIN	TYP	MAX		
Reference voltage	V _{ADJ}	0.784	0.800	0.816	V	V _{IN} =15V, I _O =0.1A
Reference voltage temperature	$\Delta V_{ADJ}/\Delta T$		±0.1		mV/°C	V _{IN} =15V, I _O =0.1A, T _c =0 - 100°C
Efficiency *3	η		81		%	V _{IN} =15V, I _O =0.5A
Switching frequency	f _o		300		kHz	V _{IN} =15V, I _O =0.5A
Line regulation	V _{Line}		60	80	mV	V _{IN} =10 - 30V, I _O =0.5A
Load regulation	V _{Load}		10	40	mV	V _{IN} =15V, I _O =0.2 - 1.5A
Over current protection starting current	I _S	1.6			A	V _{IN} =15V
ON/OFF pin *4	ON/OFF control voltage (output ON)	V _{C, IH}	2.0		V	
	ON/OFF control voltage (output OFF)	V _{C, IL}		0.8	V	
	ON/OFF control current (output ON)	I _{C, IH}		8	20	μA
Shutdown Supply Current 1	I _q		6		mA	V _{IN} =15V, I _O =0A
Shutdown Supply Current 2	I _{q(off)}			1	μA	V _{IN} =15V V _C =0V

*3 Efficiency should be calculated by using the following equation: Efficiency should be calculated by using the following equation:

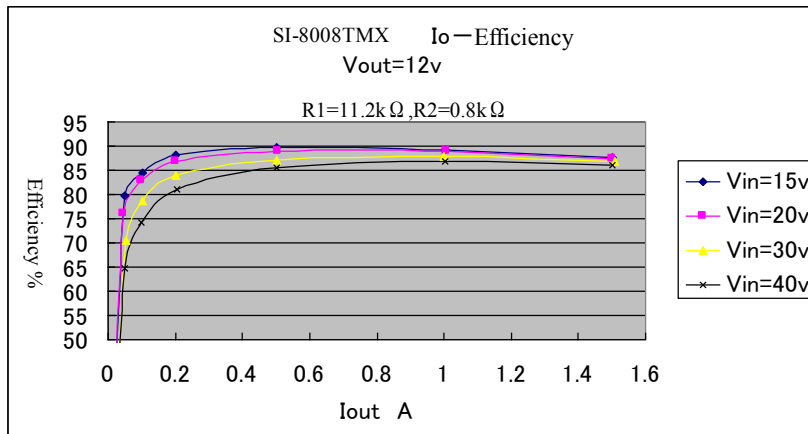
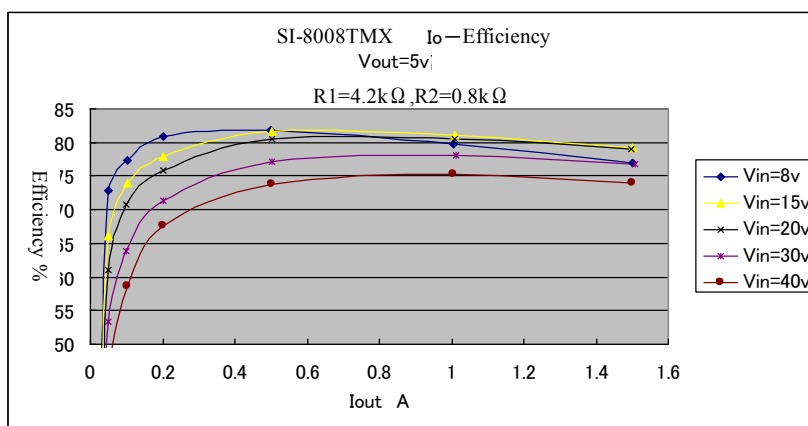
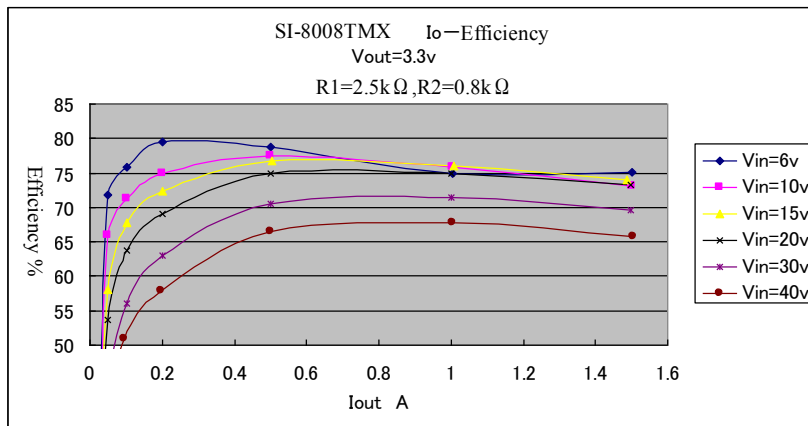
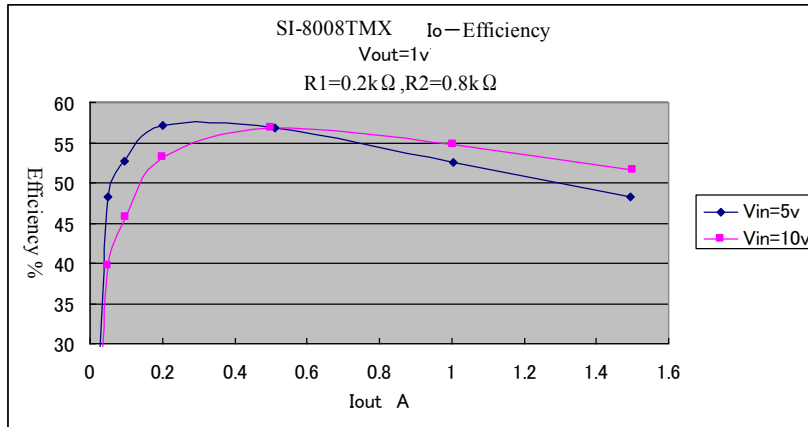
$$\eta(\%) = \frac{V_O \cdot I_O}{V_{IN} \cdot I_{IN}} \times 100$$

*4 Output control pin V_c turns off in open. Each input level is equivalent to LS-TTL. Therefore the direct drive by LS-TTL is available.

SI-8008TMX

4.2 Typical characteristics (Ta=25°C)

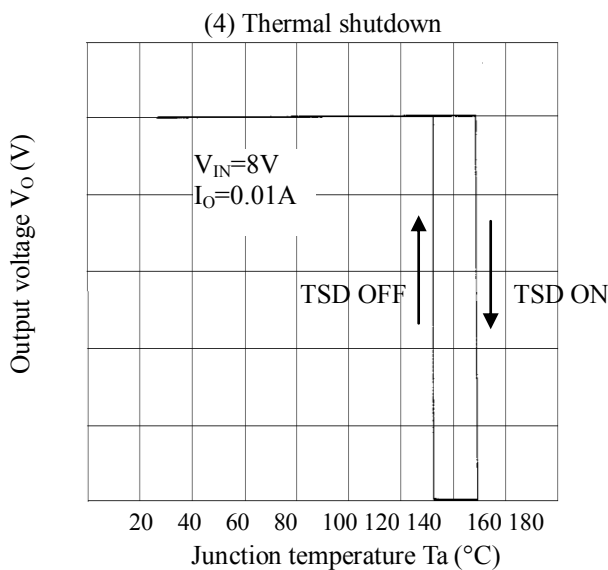
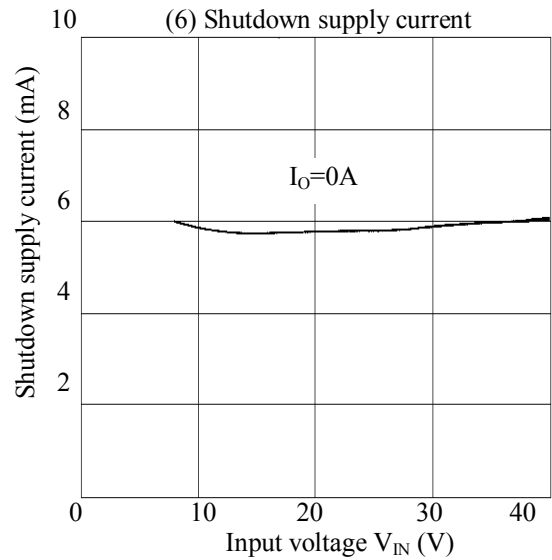
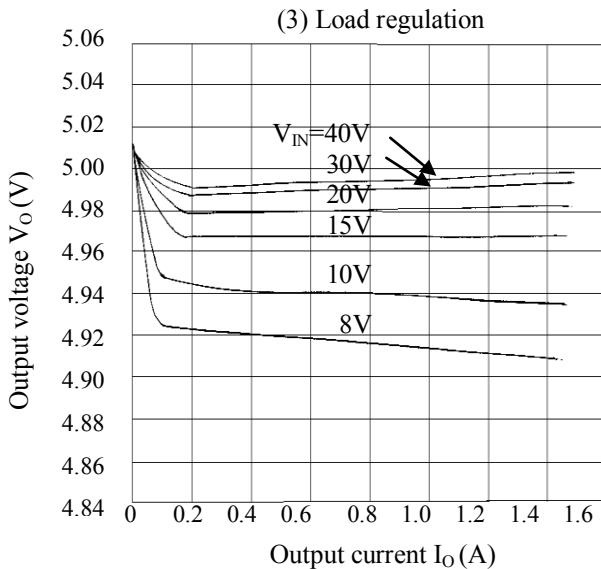
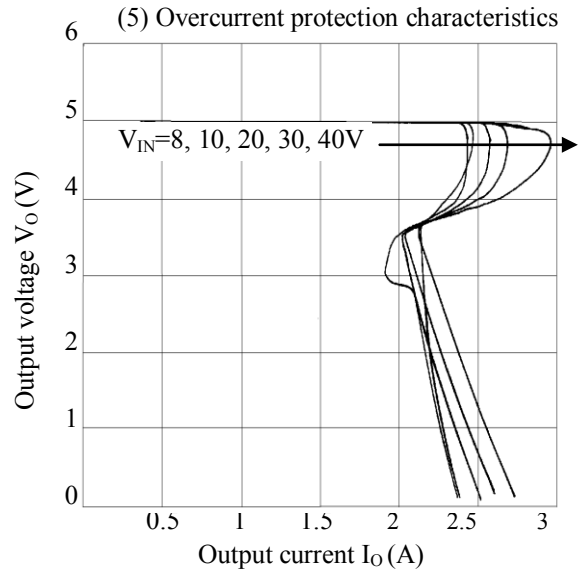
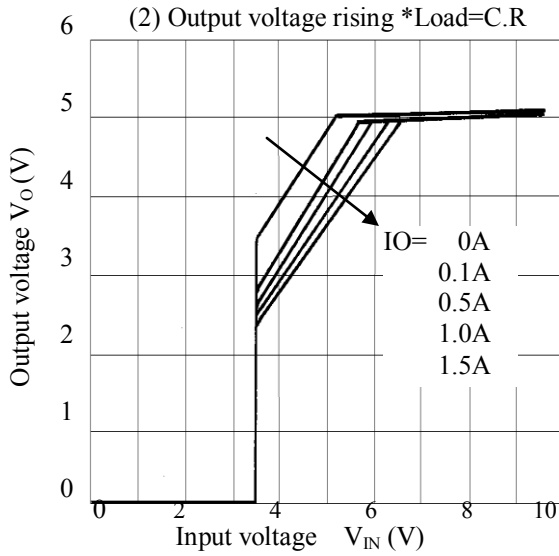
(1) Efficiency



SI-8008TMX

Jan. 2010

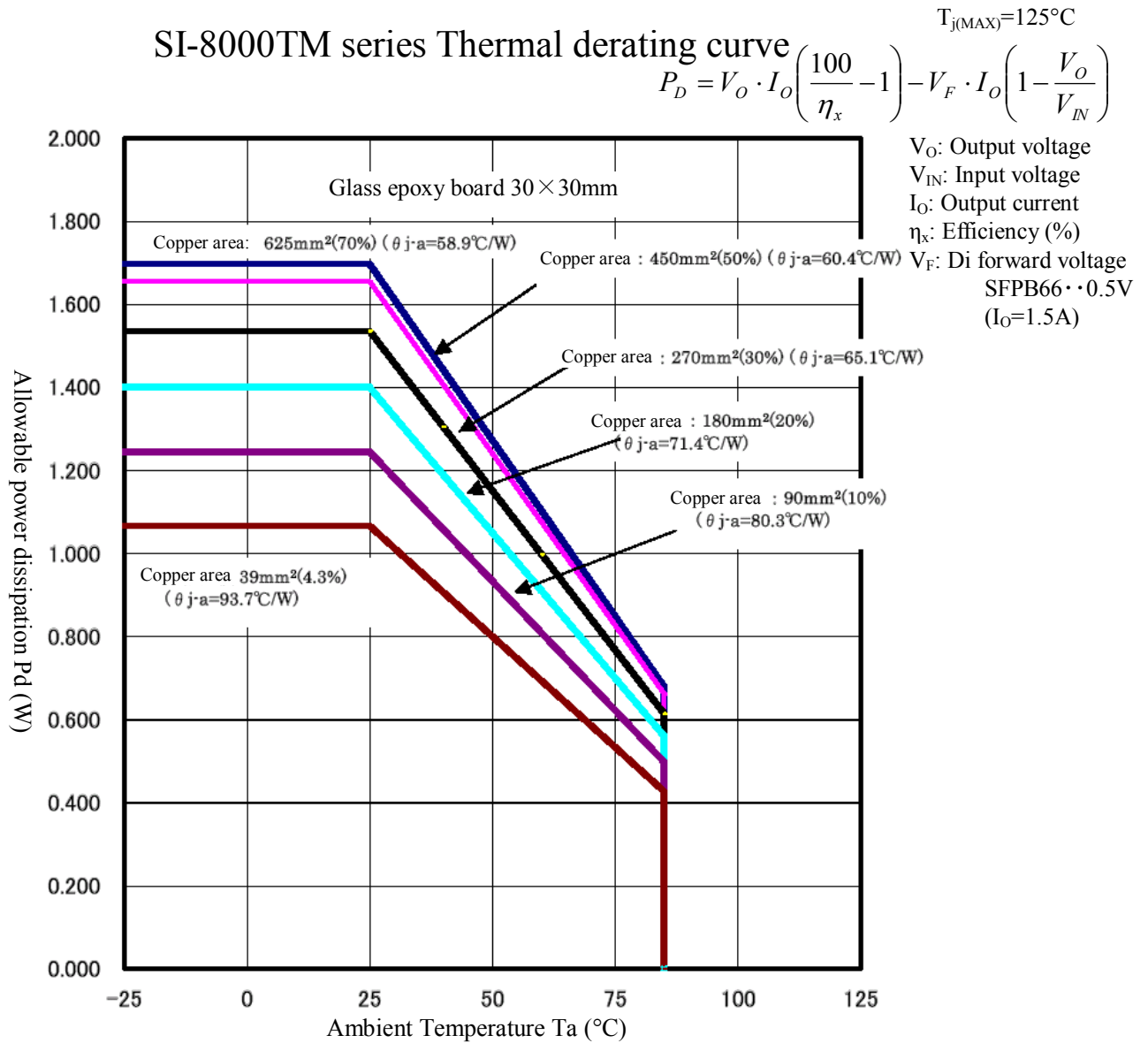
In case of the setup of $V_O=5V$ ($R_2=0.8k\Omega$)



SI-8008TMX

Jan. 2010

4.3 Thermal derating



Note 1: As the efficiency is subject to the input voltage and output current, it shall be obtained from the efficiency curve in page 4 and substituted in percent.

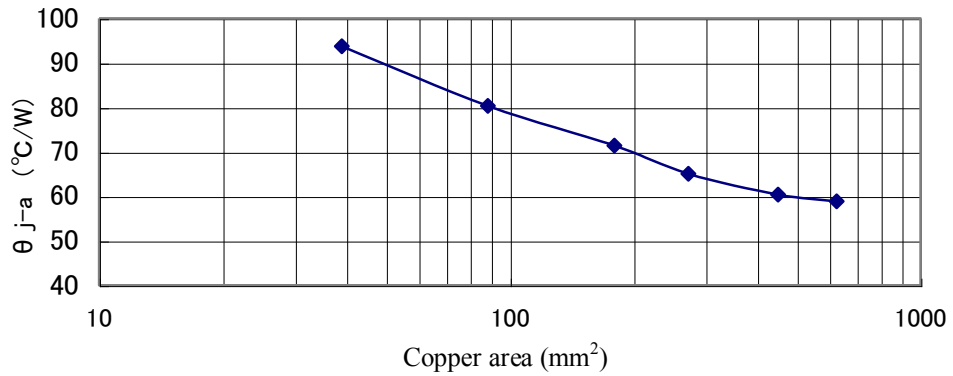
Note 2: Thermal design for Di shall be made separately.

SI-8008TMX

Jan. 2010

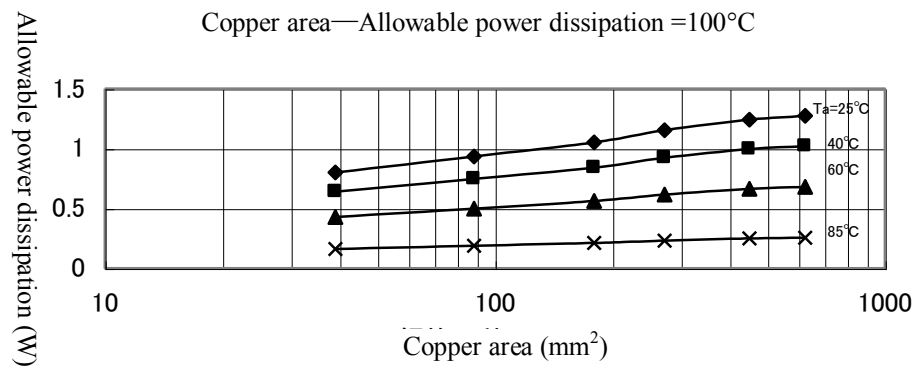
4.4 Reference data
 (1) Thermal data

SI-8000TMX Copper area—Thermal resistance



(2) Allowable dissipation

Copper area—Allowable power dissipation =100°C



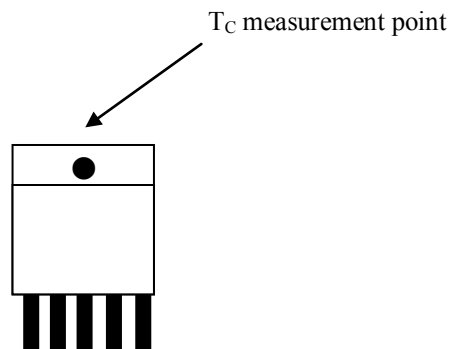
• How to obtain junction temperature

Temperature of lead portion of GND terminal:

The junction temperature is obtained by measuring T_c with the thermocouple etc. and substituting it in the following equation.

$$T_j = P_D \times \theta_{j-c} + T_c$$

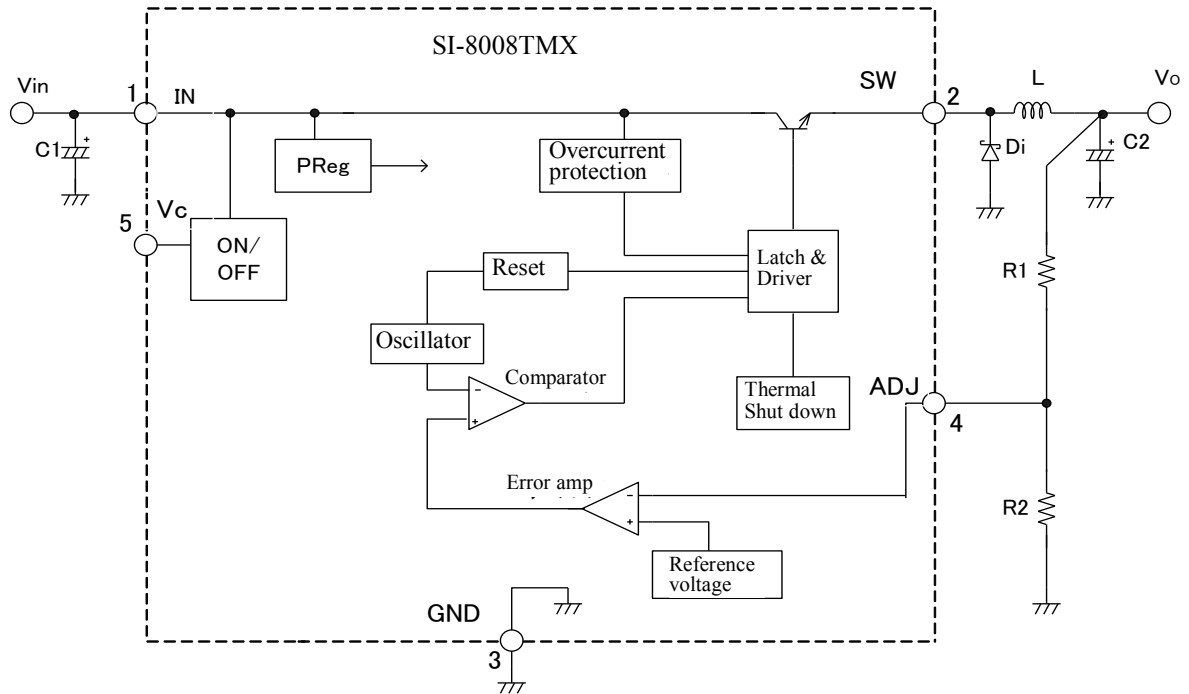
$$(\theta_{j-c} = 6^\circ\text{C/W})$$



SI-8008TMX

Jan. 2010

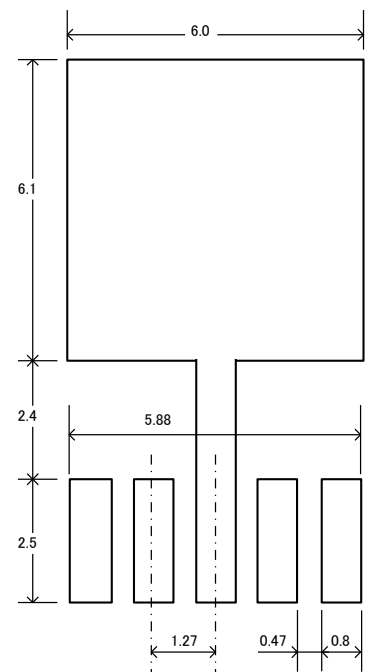
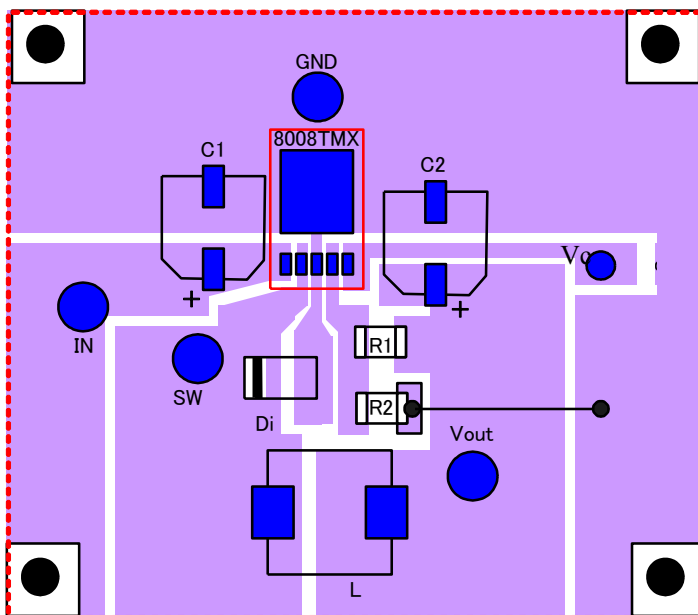
5. Block diagram (Pin assignment)



Di : SFPB66 (SanKen)

Recommended pattern

The example of solder pattern design

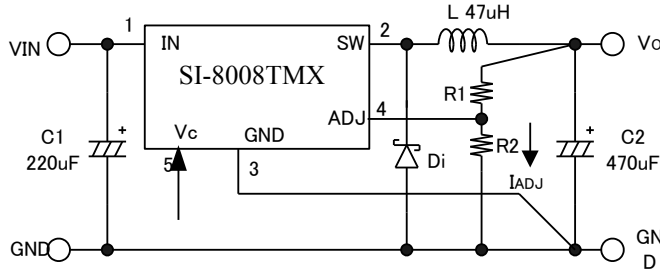


* In order to achieve the best operating conditions, the GND line shall be a 1-point GND wiring with No. 3 terminal in the center

SI-8008TMX

6. Typical application circuit

6.1 Standard circuit diagram

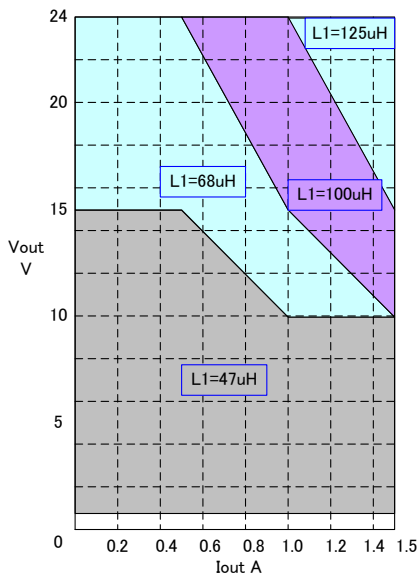


- C1 : 220µF
- C2 : 470µF
- L1 : 47µH * see Fig1
- Di : SFPB66 (SanKen)

Diode Di

For the diode Di, the Schottky barrier diode must be used.

If a fast recovery diode is used, the IC may be destroyed by applying reverse voltage due to the recovery and ON voltage.



Choke coil L1

- The efficiency may decrease and not reach the rated value if the winding resistance of choke coil is large.
- Since the overcurrent protection start current is around 2.5A, care should be taken for the self heating of choke coil due to magnetic saturation in overload and load short.
- Please refer to Fig.1 and select the inductance value when V_{OUT} is set to 10V or higher.

*Fig1choke coil L1

Capacitor C1 and C2

- Since the high ripple current flows in C1 and C2, the capacitors with high frequency and low impedance for switching power supply should be used. When the impedance of C2 is high, the abnormal switching waveform can be caused in low temperature conditions.

Please avoid to use capacitors with extremely low direct equivalent resistance (ESR) such as OS capacitors and tantalum capacitors because the abnormal oscillation can be caused.

Resistors R1, R2

- R1 and R2 are a resistor for setting the output voltage. The output voltage should be set in a way that I_{ADJ} may be 1mA or so. The equation to obtain R1 and R2 values is as follows:
- When setting V_O=0.8V, R2 should be connected for stable operation.
- Recommended output voltage settings: V_O ≥ VIN × 8%

$$R1 = \frac{(V_{OUT} - V_{ADJ})}{I_{ADJ}} = \frac{(V_{OUT} - 0.8)}{1 \times 10^{-3}} (\Omega), \quad R2 = \frac{V_{ADJ}}{I_{ADJ}} = \frac{0.8}{1 \times 10^{-3}} \cong 0.8k(\Omega)$$

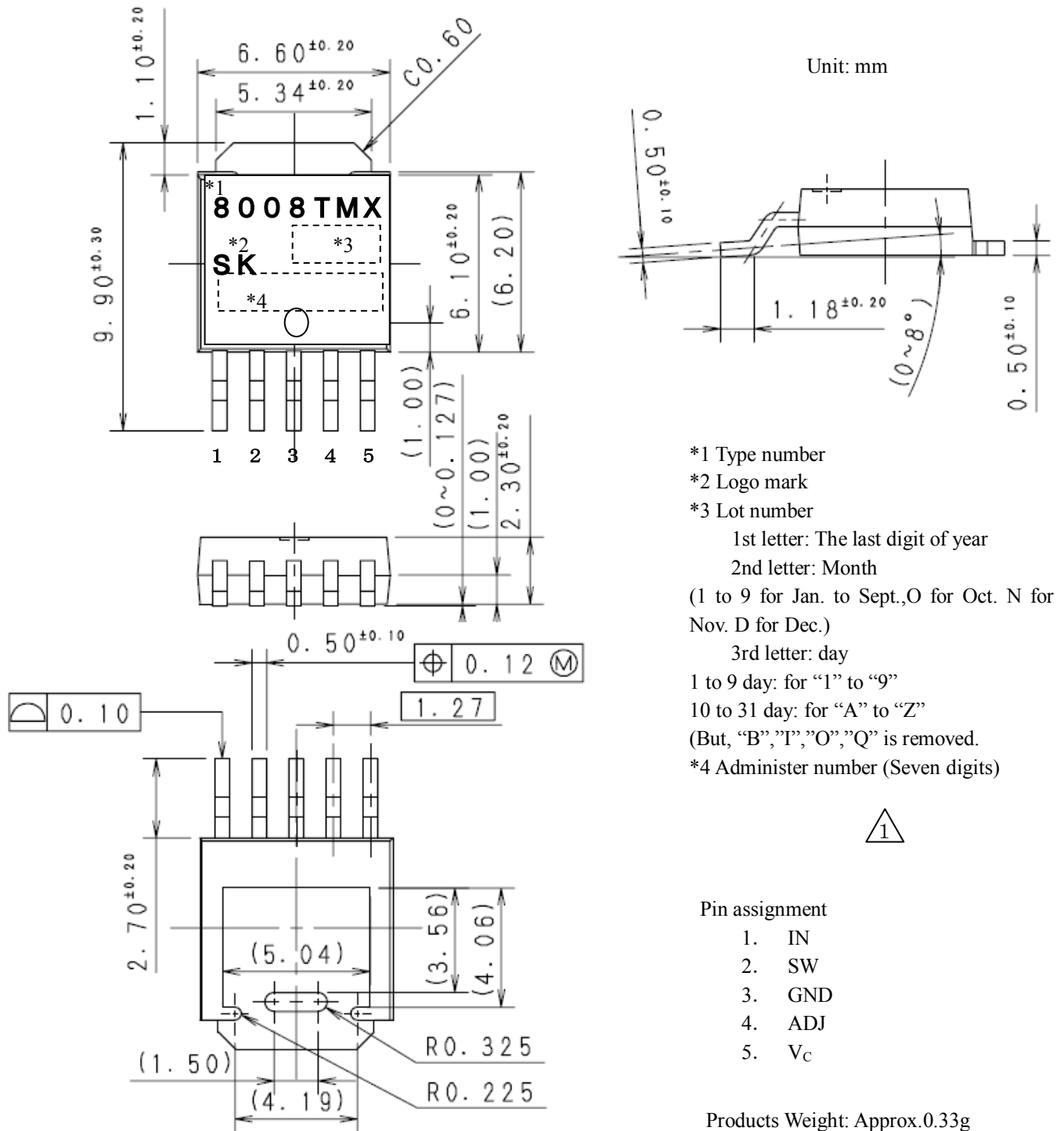
©In order to achieve the best operating conditions, it is necessary to assign each component with the shortest lines.

SI-8008TMX

Jan. 2010

7. Package information

7.1 Package type and physical dimensions



7.2 Appearance

The body shall be clean and shall not bear any stain, rust or flaw.

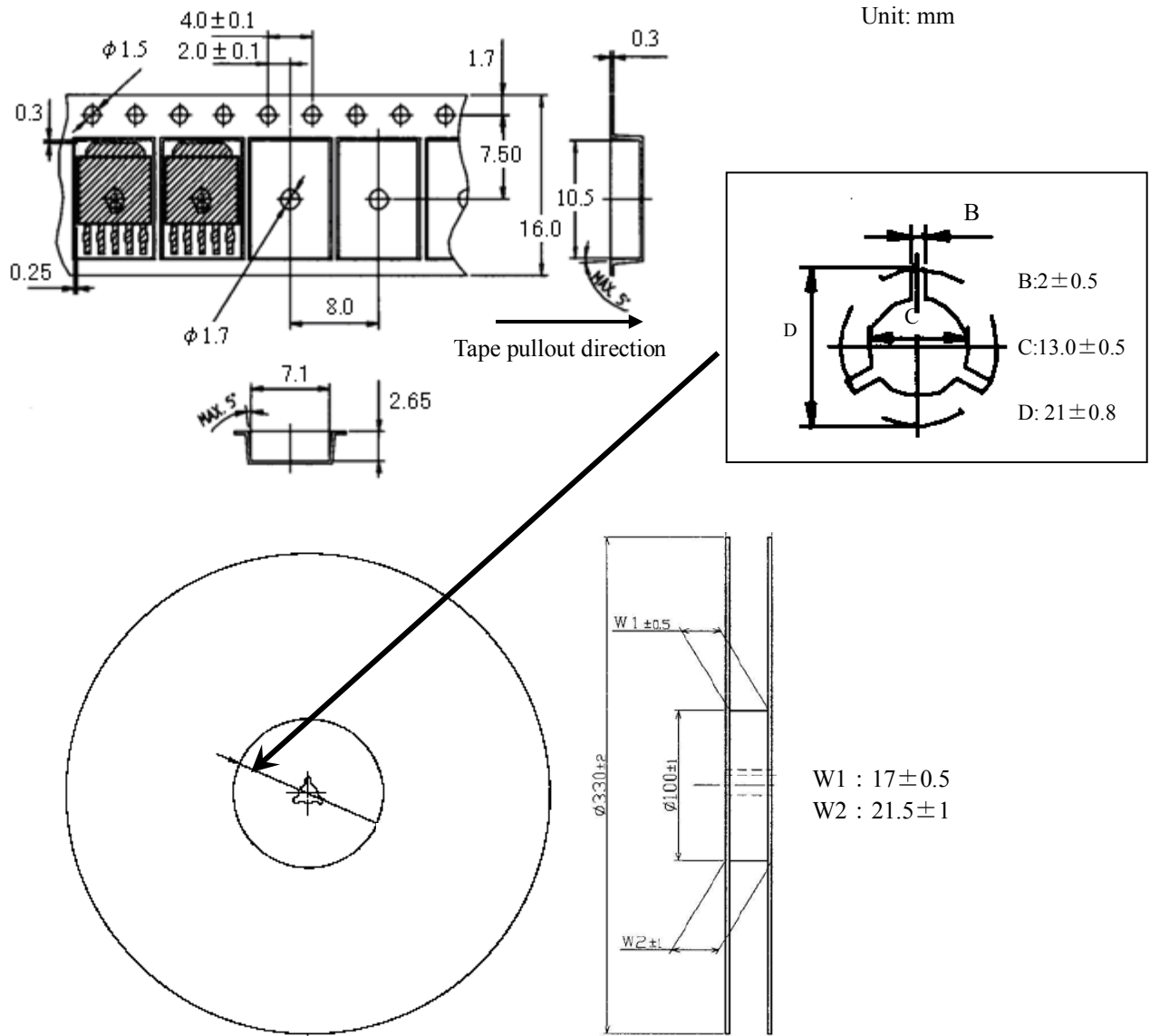
7.3 Marking

The part number and lot number shall be clearly marked by laser on the body and shall not be erased easily.

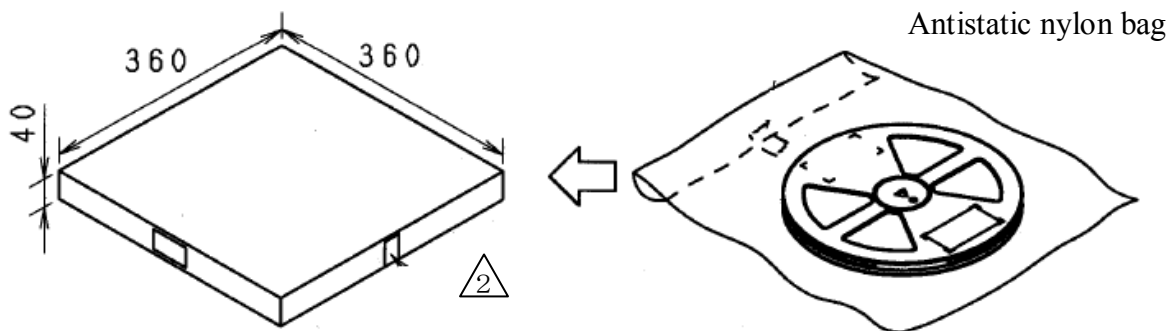
SI-8008TMX

Jan. 2010

8 Package specification



Package amount: 3000pcs/reel



SI-8008TMX

9. Operating precautions

9.1 Parallel operation

The parallel operation to increase the current is not available.

9.2 Thermal shut down

SI-8000TMX series has a thermal protection circuit.

This circuit protects the IC from self heating by the over load.

This circuit cannot guarantee the long-term reliability against the continuously over load status.

9.3 Precaution for handling

Some terminals can be damaged by static electricity.

9.4 Others

- The contents in this document are subject to changes, for improvement and other purposes, without notice.
Make sure that this is the latest revision of the document before use.
- Application and operation examples described in this document are quoted for the sole purpose of reference for the use of the products herein and Sanken can assume no responsibility for any infringement of industrial property rights, intellectual property rights or any other rights of Sanken or any third party which may result from its use.
- When using the products herein, the applicability and suitability of such products for the intended purpose or object shall be reviewed at the users' responsibility.
- Although Sanken undertakes to enhance the quality and reliability of its products, the occurrence of failure and defect of semiconductor products at a certain rate is inevitable. Users of Sanken products are requested to take, at their own risk, preventative measures including safety design of the equipment or systems against any possible injury, death, fires or damages to the society due to device failure or malfunction.
- Sanken products listed in this document are designed and intended for the use as components in general purpose electronic equipment or apparatus (home appliances, office equipment, telecommunication equipment, measuring equipment, etc.). Before placing an order, the user's written consent to the specifications is requested.
When considering the use of Sanken products in the applications where higher reliability is required (transportation equipment and its control systems, traffic signal control systems or equipment, fire/crime alarm systems, various safety devices, etc.), please contact your nearest Sanken sales representative to discuss and obtain written confirmation of your specifications, prior to the use of the products herein.
The use of Sanken products without the written consent of Sanken in the applications where extremely high reliability is required (aerospace equipment, nuclear power control systems, life support systems, etc.) is strictly prohibited.
- Anti radioactive ray design is not considered for the products listed herein.
- The contents in this document must not be transcribed or copied without Sanken's written consent.

- This is notification that you, as purchaser of the products/technology, are not allowed to perform any of the following:
 1. Resell or retransfer these products/ technology to any party intending to disturb international peace and security.
 2. Use these products/ technology yourself for activities disturbing international peace and security.
 3. Allow any other party to use these products/ technology for activities disturbing international peace and security.Also, as purchaser of these products/ technology, you agree to follow the procedures for the export or transfer of these products/ technology, under the Foreign Exchange and Foreign Trade Law, when you export or transfer the products/technology abroad.

SI-8008TMX

Jan. 2010

Appendix: Recommended soldering conditions

< Storage condition >

Temperature: 5 – 35°C

Humidity: 40 – 70%

Atmosphere: No poisonous gas generation and little dust.

No condensation.

< Storage period >

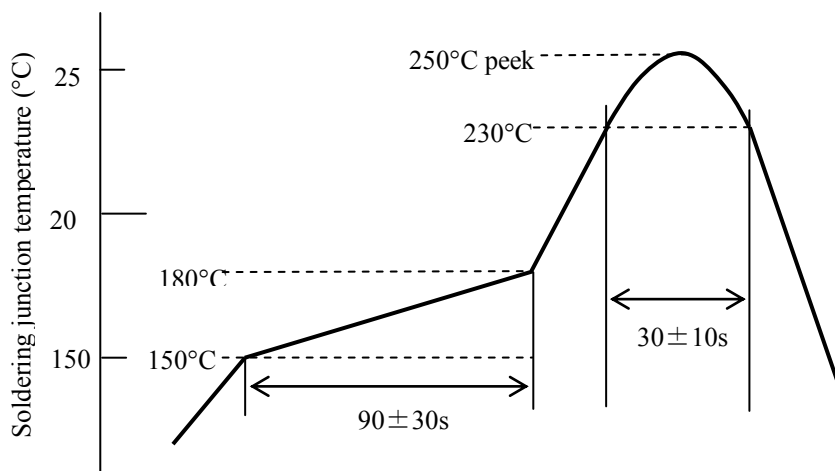
Storage period: 1 year or so in a hermetically sealed condition

(If the long-term storage is expected, please consider vacuum packing or putting silica gel in the airtight container.)

6 months in an unsealed condition

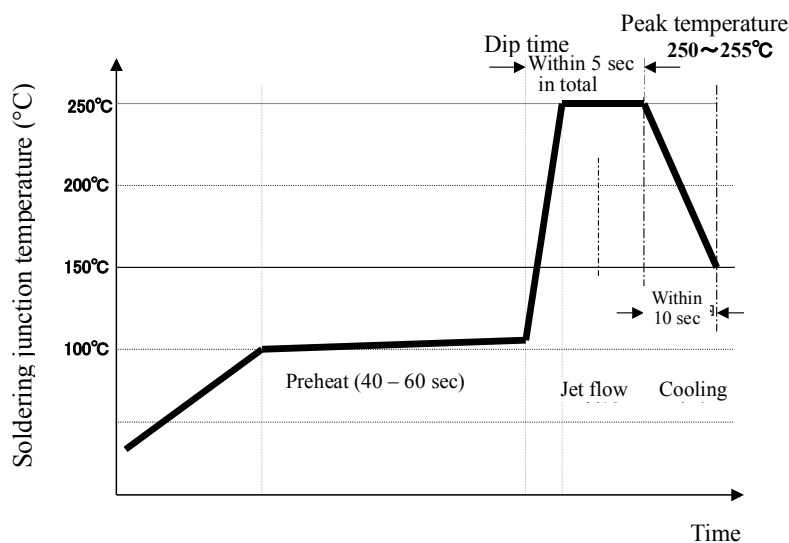
< Reflow condition >

* Reflow is limited to twice.



< Flow condition >

* Flow is limited to once.



< Hand soldering condition >

Temperature of tip of soldering iron: 380 ± 10°C

Time: 3s + 1s / - 0s

Number of times: Once