



REFERENCE SK-INCLINOMETER-HI-INC-SR-10T

USER GUIDE



QUICK START



PRODUCT VIDEO



DESCRIPTION

This wireless IOT inclinometer starterkit includes everything you need to setup quickly your inclination / tilt monitoring application :

- Wireless Receiver/Gateway with LAN Output (Ref: [BeanGateway® Indoor](#))
- Wireless ultra-accurate Tri-Axis Inclinometer sensor with screw mounting option (ref: [BeanDevice 2.4GHZ HI-INC SR](#))
- 1 x Free software to collect and display in real-time data measurement (Ref: [BeanScape® 2.4GHZ LITE](#))
- AC/DC Power Adapter (US or EUR or UK plugs) for charging the battery or to be used constantly

MAIN FEATURES

- Scalable Range: $\pm 10^\circ$ or $\pm 90^\circ$ with automatic range adjustment
- Ultra precise sensor ($\pm 0.01^\circ$ for 10° range)
- Global License-free band 2.4GHZ, with maximum radio range 650 meters
- Time-synchronized data acquisition (± 2.5 ms of accuracy)
- Waterproof IP67 aluminum casing (Nema 6) with screw mounting base
- Rechargeable Lithium-Polymer battery 2200 mAh providing a battery life up to 15 months
- **Embedded data logger** : up to 8 million data points (with events dating)

Beanair products are Made in Germany and are certified CE/FCC/Giteki

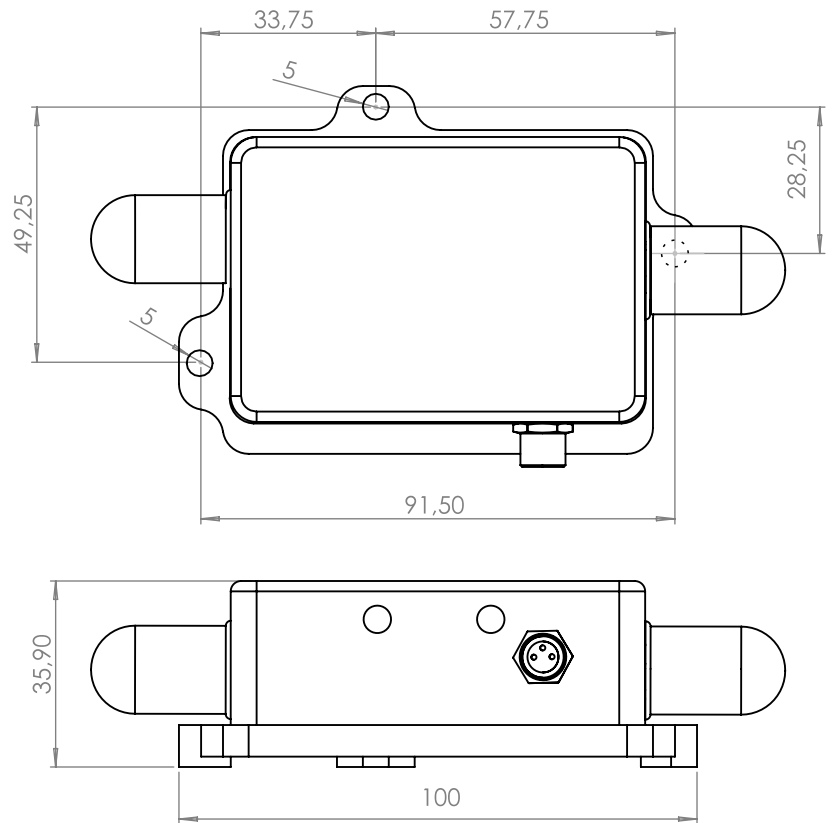
WEBLINKS TO PRODUCTS

- [Wireless Tri Axis Inclinometer Sensor](#)
- [Wireless Receiver/Gateway](#)
- [Eco-friendly Monitoring Software](#)

HOW IT WORKS ?



DRAWING



CONTACT US

Headquarter:

Buchholzer Straße 65, 13156
Berlin, Germany

Email:

info@beanair.com

Phone number:

+493066405051



www.facebook.com/BeanAir



www.beanair.com



www.youtube.com/user/BeanairSensors



www.twitter.com/beanair

