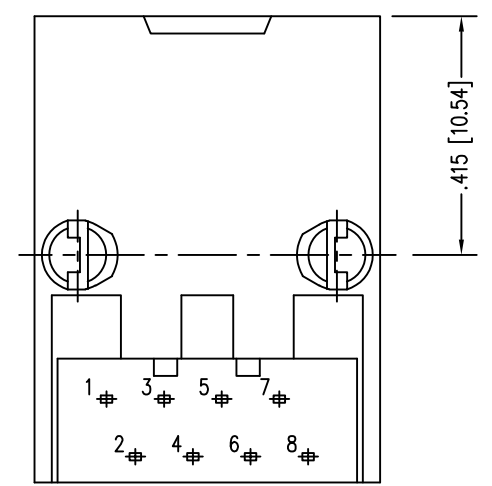
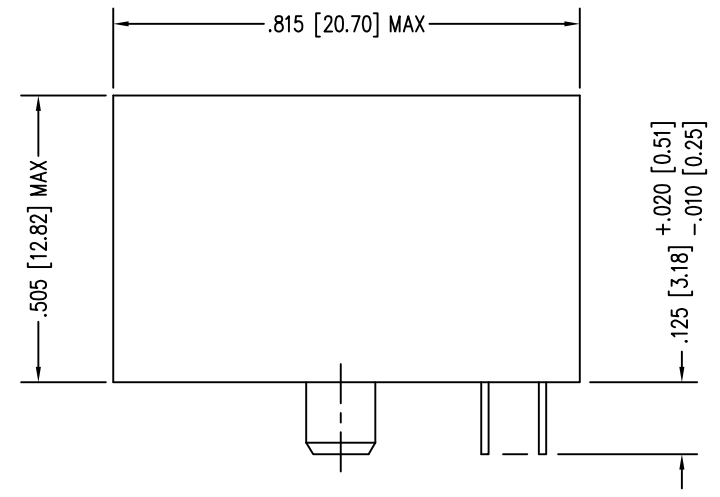
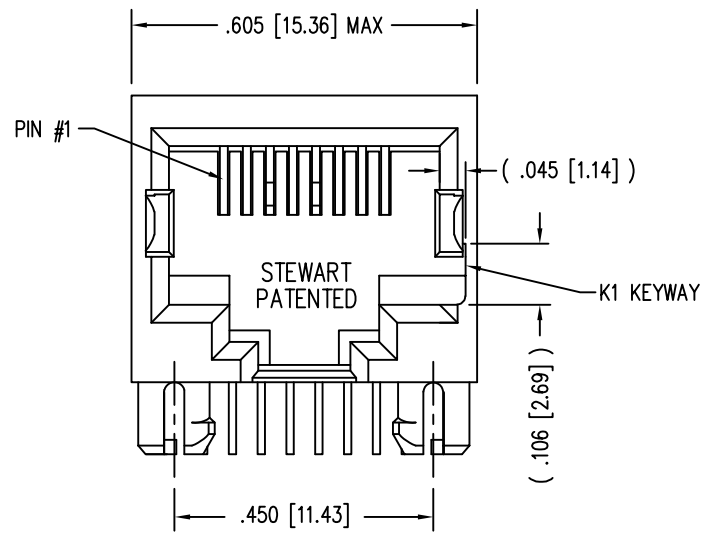
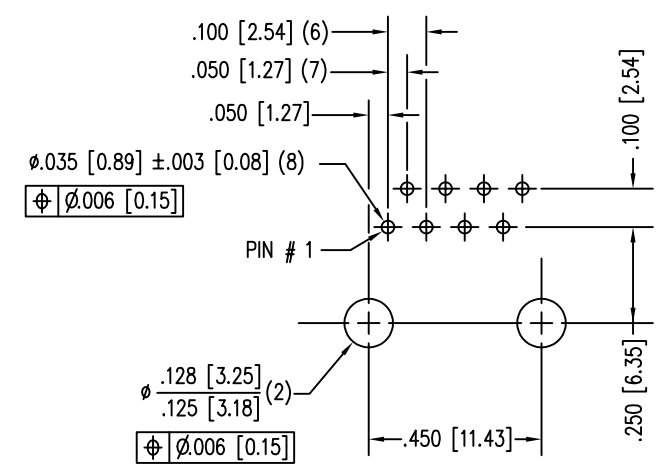


DATE	REV	ECN	APP'D. BY
1/16/15	A6	10207	TRM
2-26-16	A7	10572	TRM
1-12-17	A8	10863	TRM
7-11-23	B0	12208	JE



PIN POSITION LAYOUT IS IDENTICAL TO STANDARD JACKS



P.C.B. RECOMMENDED HOLE LAYOUT SEEN FROM COMPONENT SIDE  
ALL CENTERLINE DIMENSIONS ARE BASIC

NOTES:

- CONNECTOR MATERIALS:  
HOUSING: THERMOPLASTIC UL94 V-0  
CONTACTS: COPPER ALLOY  
CONTACT PLATING: SELECTIVE GOLD IN CONTACT AREA  
SEE CHART FOR PART NUMBER
- FOR PRODUCT SPECIFICATIONS SEE PRO22-01.
- DIMENSIONS AND TOLERANCES COMPLY WITH FCC/CFR 47, PART 68.
- DESIGNED FOR CATEGORY 5/5e APPLICATIONS.

30 MICRO-INCHES [0.76um]	SS-7188-NF-K1
CONTACT PLATING IN MATING AREA	PART NUMBER

THIRD ANGLE PROJECTION	 11118 Susquehanna Trail South Glen Rock, PA 17327-9199 (717) 235-7512 <a href="http://www.stewartconnector.com">http://www.stewartconnector.com</a>
DO NOT SCALE DRAWING DRAWING IS SUBJECT TO CHANGE WITHOUT NOTICE	
DIMENSIONS: INCHES [METRIC]	TITLE: EIGHT CONTACT, EIGHT POSITION UNSHIELDED CAT 5/5e JACK NON-FLANGE WITH K-1 KEY OPTION
UNLESS OTHERWISE SPECIFIED TOLERANCES ARE ±.005 [0.13] ANGLES ARE ± 1°	DRN BY: SHE DATE 10-14-05
SHEET NO. 1 OF 1	APPD BY: DANNY DATE 10-14-05
	DWG NO. CT710003 REV. B0

