

DC Voltage Converters

Features

- High Output, Short Circuit Protected
- Metal Enclosure, DIN rail mounting
- Industrial Temperature Operation
- Most Models Isolated Input to Output
- Low Voltage Disconnect



TP-VRHP 70W

Applications

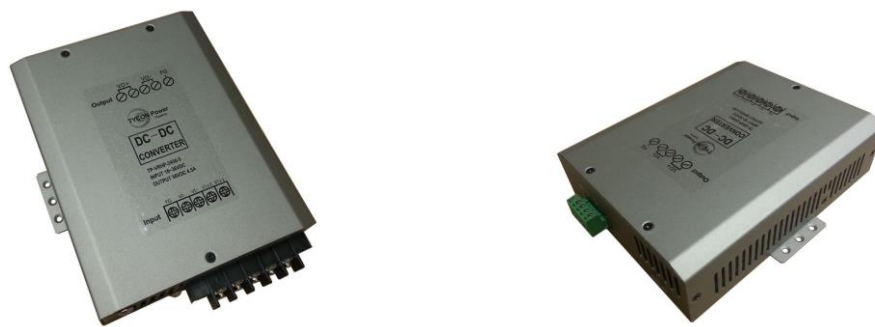
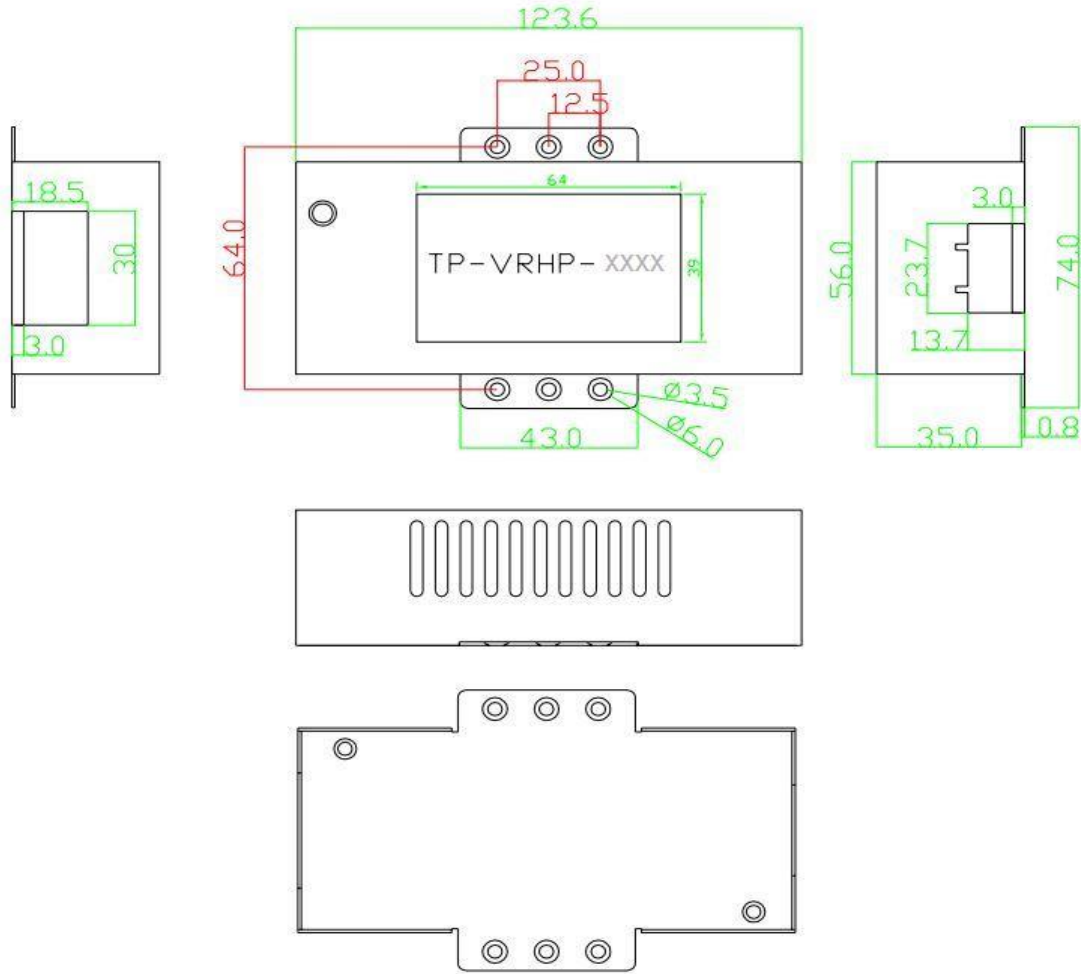
- Security Systems
- Remote Power Systems
- Telecom Applications
- Wireless Base Stations

Description

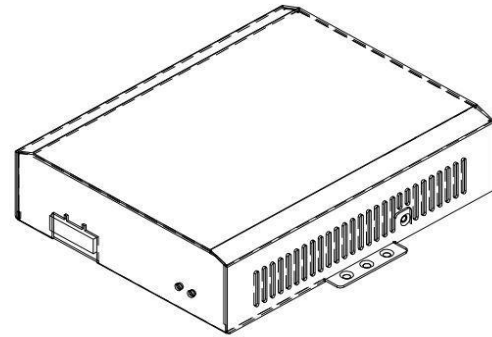
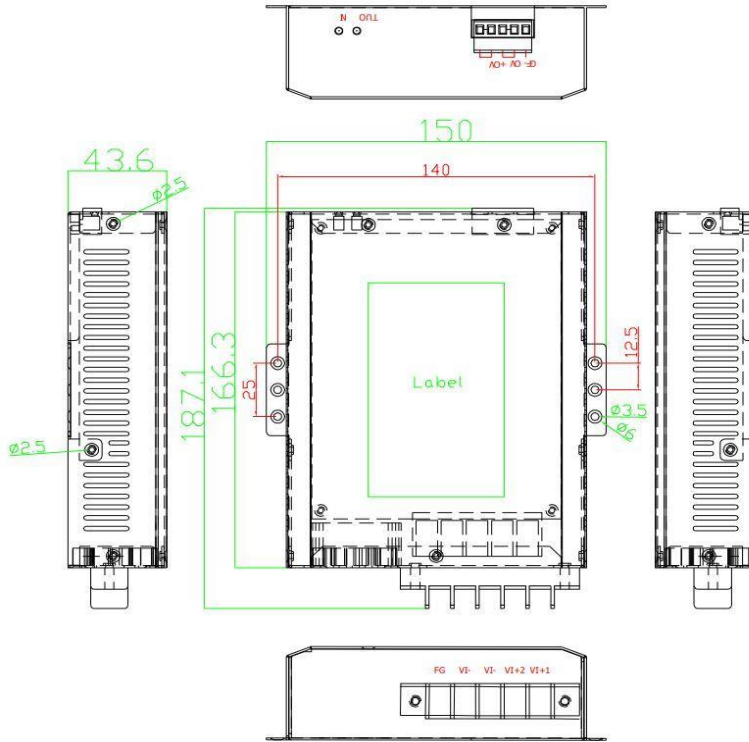
The TP-VRHP series of DC to DC converters offer high output voltage conversion in a compact metal enclosure. They have wire terminal inputs and outputs for maximum flexibility. The units come with DIN rail adapters for DIN rail mounting. They provide power output up to 250W.

Specifications

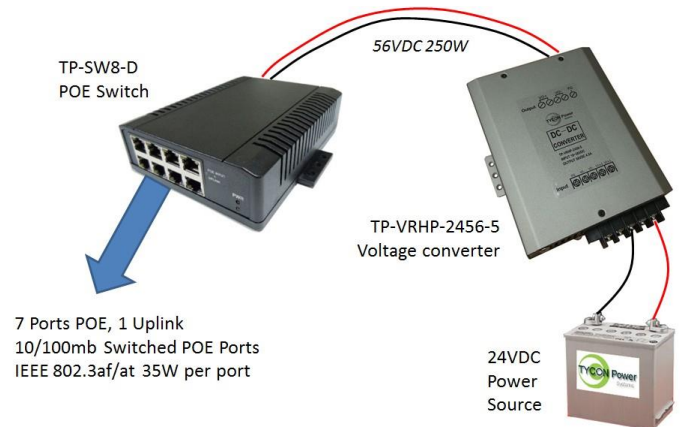
	TP-VRHP-4824	TP-VRHP-1224	TP-VRHP-2424	TP-VRHP-1256	TP-VRHP-2456	TP-VRHP-4856	TP-VRHP-2456-250	TP-VRHP-4856-250
DC Input Voltage Range	36V to 72VDC	10 to 15VDC	18 to 36VDC	+/- 10 to 15VDC	+/- 18 to 36VDC	+/- 36V to 72VDC	+/- 18 to 36VDC	+/- 36 to 72VDC
DC Voltage Output	24VDC @ 2.9A	24VDC @ 2.9A	24VDC @ 2.9A	56VDC @ 1.25A	56VDC @ 1.25A	56VDC @ 1.25A	56VDC @ 4.46A	56VDC @ 4.46A
Maximum Power	70W	70W	70W	70W	70W	70W	250W	250W
Input / Output Isolation	Isolated	Non-Isolated	Non-Isolated	Isolated	Isolated	Isolated	Isolated	Isolated
Efficiency	>85%						>83%	>85%
Load / Line Reg	5% / 1%							
Ripple / Noise	2% / 5%							
Isolation	1500VDC Min. / 100M Ohms Min							
Wire Gauge	12AWG Max							
Protections	Short Circuit, Overvoltage, Overload							
Operating Temp	-22°F to 149°F (-30°C to +65°C)							
Operating Humidity	0 to 90% RH							
Size	5.24 x 3 x 1.5" (133x75x38mm)						5.9 x 7.4 x 1.7" (150x187x43.6mm)	
Weight	10.5oz (298g)						2.6lbs (1.2 kg)	
Warranty	3 Years							



TP-VRHP-xx56-250W Converter



Typical 250W application



Ordering:

- TP-VRHP-1224** 10-15VDC IN, 24VDC @ 2.9A 70W Regulated Output, Non-Isolated
- TP-VRHP-2424** 18-36VDC IN, 24VDC @ 2.9A 70W Regulated Output, Non-Isolated
- TP-VRHP-4824** 36-72VDC IN, 24VDC @ 2.9A 70W Regulated Output, Isolated

- TP-VRHP-1256** 10-15VDC IN, 56VDC @ 1.25A 70W Regulated Output, Isolated
- TP-VRHP-2456** 18-36VDC IN, 56VDC @ 1.25A 70W Regulated Output, Isolated
- TP-VRHP-4856** 36-72VDC IN, 56VDC @ 1.25A 70W Regulated Output, Isolated
- TP-VRHP-2456-250** 18-36VDC IN, 56VDC @ 4.46A 250W Regulated Output, Isolated
- TP-VRHP-4856-250** 36-72VDC IN, 56VDC @ 4.46A 250W Regulated Output, Isolated

For further information contact: Tyconsystems.com



930 W 14600 S Ste 600
Bluffdale UT 84065
PH: 801-432-0003
FAX: 801-618-4220