

Features

- Supply Voltage: 2.7 V to 5.5 V
- Dual Supply: ± 1.35 V to ± 2.75 V
- Low Offset Voltage: ± 20 μ V (Max)
- Zero Drift: ± 0.01 μ V/ $^{\circ}$ C
- Rail-to-Rail Input and Output
- Gain Bandwidth Product: 15 MHz
- Slew Rate: 4.9 V/ μ s
- Low Noise: 10 nV/ $\sqrt{\text{Hz}}$ at 1 kHz
- No 1/f noise: 0.2 μ V_{PP} (0.1 Hz to 10 Hz)

Applications

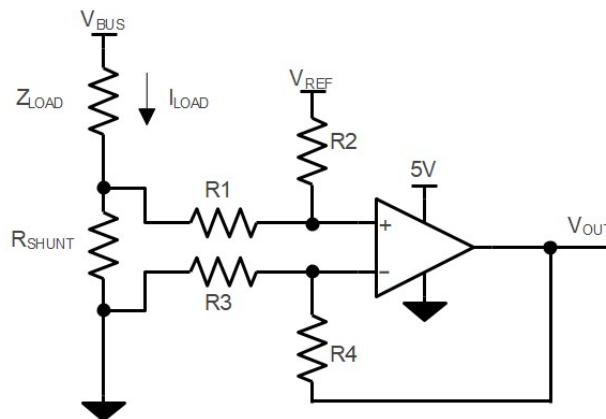
- Server PSU
- Battery Current Sensing
- Precision Signal Condition
- Power System
- Temperature Transmitter
- Medical Instrumentation

Description

The TPA558x is the newest zero-drift amplifier with a maximum 20- μ V low-offset voltage, low noise, and stable high-frequency response. It incorporates proprietary and patented design techniques to achieve excellent AC performance with 15-MHz bandwidth, 4.9-V/ μ s slew rate, and low distortion while drawing 1-mA quiescent current per amplifier. The input common-mode voltage extends to V_{-} , and the output swings rail-to-rail. The amplifier can be used as a plug-in replacement for commercially available op-amps to improve performance. Considering the requirements of the low standby power in some special applications, there is a shutdown function which is the TPA558xN series with only 7.5- μ A shutdown current.

The TPA5581 and TPA5581U (1-ch version) are offered in the SOT23-5 and SOT353-5 (SC70-5) packages. The TPA5582 (2-ch version) is available in the SOP8, TSSOP8, MSOP8, DFN2X2-8, and DFN3X3-8 packages. The TPA5581N (shutdown version) is only offered in the SOT23-5 package. All versions are operated over the industrial temperature range from -40° C to $+125^{\circ}$ C.

Typical Application Circuit



$$V_{OUT} = (I_{LOAD} \times R_{SHUNT}) \times (R_2 / R_1) + V_{REF}$$

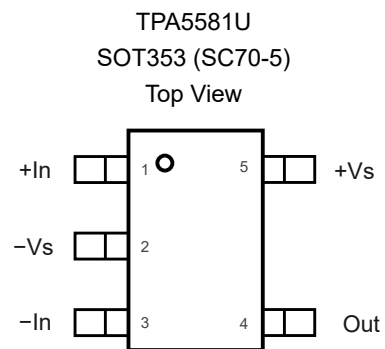
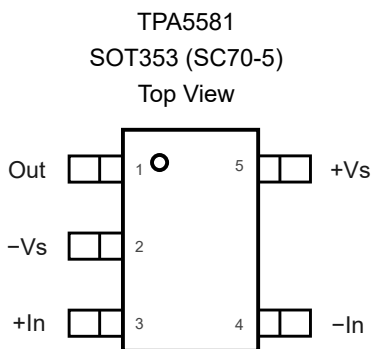
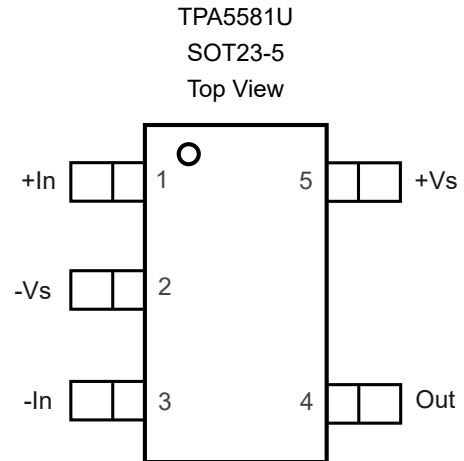
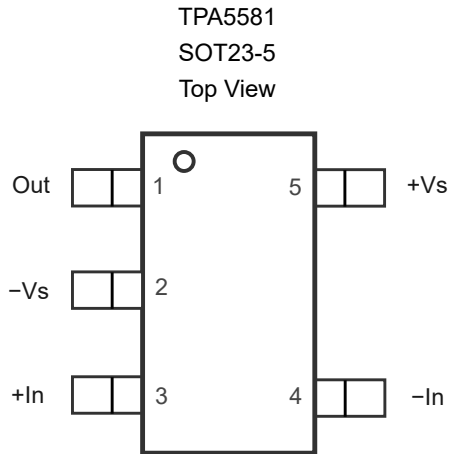
$$\text{When } R_3 = R_1, R_2 = R_4, R_{SHUNT} \ll R_1$$

Table of Contents

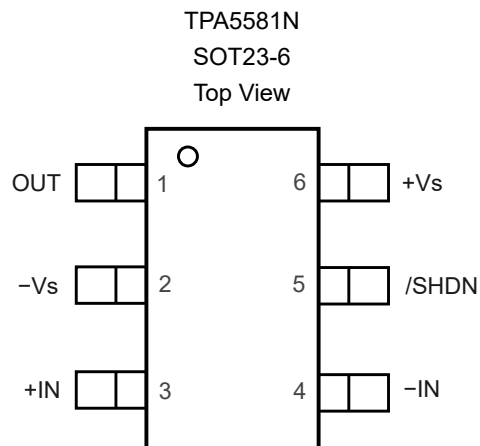
Features	1
Applications	1
Description	1
Typical Application Circuit	1
Revision History	3
Pin Configuration and Functions	4
Specifications	8
Absolute Maximum Ratings ⁽¹⁾	8
ESD, Electrostatic Discharge Protection.....	8
Recommended Operating Conditions.....	9
Thermal Information.....	9
Electrical Characteristics	10
Typical Performance Characteristics.....	12
Detailed Description	16
Overview.....	16
Functional Block Diagram.....	16
Feature Description.....	16
Application and Implementation	18
Application Information	18
Tape and Reel Information	19
Package Outline Dimensions	20
SOT23-5.....	20
SOT23-6.....	21
SOT353 (SC70-5).....	22
TSSOP8.....	23
MSOP8.....	24
MSOP10.....	25
SOP8.....	26
DFN2X2-8.....	27
DFN3X3-8.....	28
Order Information	29
IMPORTANT NOTICE AND DISCLAIMER	30

Revision History

Date	Revision	Notes
2022-12-22	Rev.A.0	Initial version.
2023-07-31	Rev.A.1	Updating the curve of the Open-Loop Gain and Phase Margin vs. Frequency.
2023-12-22	Rev.A.2	Updating the max value of I_{OS} under room temperature.
2024-04-28	Rev.A.3	Removed the label of TPA5582-TS1R indicating future products in Order Information.
2024-12-18	Rev.A.4	Changed the status of the TPA5581U-S5TR, TPA5581U-SC5R to production in the Order Information. Corrected handwriting errors. The physical object has not changed.

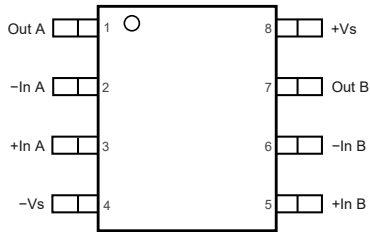
Pin Configuration and Functions

Table 1. Pin Functions: TPA5581, TPA5581U

Pin No.		Name	I/O	Description
TPA5581	TPA5581U			
1	4	Out	O	Output
2	2	-Vs		Negative power supply
3	1	+In	I	Noninverting input
4	3	-In	I	Inverting input
5	5	+Vs		Positive power supply

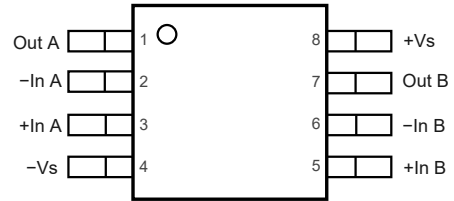
5-V, Zero-Drift, RRIO, 15-MHz, Precision Operational Amplifiers

Table 2. Pin Functions: TPA5581N

Pin No.	Name	I/O	Description
1	Out	O	Output
2	-Vs		Negative power supply
3	+In	I	Noninverting input
4	-In	I	Inverting input
5	/SHDN	I	Shut down input. The device is shut down when the low-level input voltage is on the input; the device is active when the high-level input voltage is on the input. The device is active by default with a 10-MΩ internal pull-up resistor.
6	+Vs		Positive power supply

TPA5582
SOP8
Top View



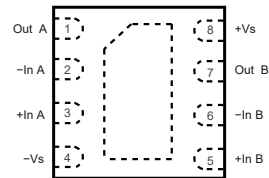
TPA5582
MSOP8
Top View



TPA5582
TSSOP8
Top View



TPA5582
DFN2X2-8
Top View



TPA5582
DFN3X3-8
Top View

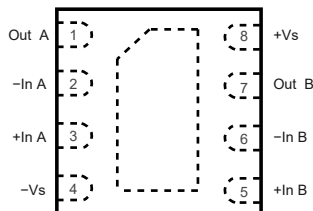
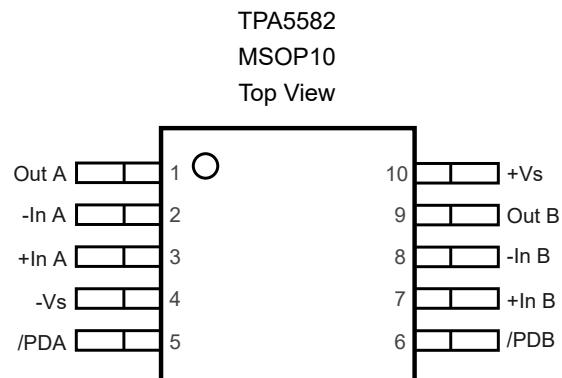


Table 3. Pin Functions: TPA5582

Pin No.	Name	I/O	Description
1	Out A	O	Output
2	-In A	I	Inverting input
3	+In A	I	Noninverting input
4	-Vs		Negative power supply
5	+In B	I	Noninverting input
6	-In B	I	Inverting input
7	Out B	O	Output
8	+Vs		Positive power supply

5-V, Zero-Drift, RRIO, 15-MHz, Precision Operational Amplifiers

Table 4. Pin Functions: TPA5582

Pin No.	Name	I/O	Description
1	Out A	O	Output
2	-In A	I	Inverting input
3	+In A	I	Noninverting input
4	-V _S		Negative power supply
5	/PD A	I	Shut down input of channel A. The device is shut down when the low-level input voltage is on the input; the device is active when the high-level input voltage is on the input. The device is active in default with a 10-MΩ internal pull-up resistor.
6	/PD B	I	Shut down the input of channel B. The device is shut down when the low-level input voltage is on the input; the device is active when the high-level input voltage is on the input. The device is active by default with a 10-MΩ internal pull-up resistor.
7	+In B	I	Noninverting input
8	-In B	I	Inverting input
9	Out B	O	Output
10	+V _S		Positive power supply

Specifications

Absolute Maximum Ratings ⁽¹⁾

All test conditions: over operating ambient temperature, unless otherwise noted.

Symbol	Parameter	Min	Max	Unit
	Supply Voltage, (+V _S) – (–V _S)		6.5	V
	Input Voltage	(–V _S) – 0.3	(+V _S) + 0.3	V
	Differential Input Voltage	(–V _S) – (+V _S)	(+V _S) – (–V _S)	V
	Input Current: +IN, –IN ⁽²⁾	–10	10	mA
	Output Voltage	(–V _S) – 0.3	(+V _S) + 0.3	V
	Output Short-Circuit Duration ⁽³⁾		Infinite	
T _J	Maximum Junction Temperature		150	°C
T _A	Operating Temperature Range	–40	125	°C
T _{STG}	Storage Temperature Range	–65	150	°C
T _L	Lead Temperature (Soldering, 10 sec)		260	°C

- (1) Stresses beyond those listed under Absolute Maximum Ratings may cause permanent damage to the device. Exposure to any Absolute Maximum Rating condition for extended periods may affect device reliability and lifetime.
- (2) The inputs are protected by ESD protection diodes to negative power supply. If the input extends more than 300 mV beyond the negative power supply, the input current should be limited to less than 10 mA.
- (3) A heat sink may be required to keep the junction temperature below the absolute maximum. This depends on the power supply voltage and how many amplifiers are shorted. Thermal resistance varies with the amount of PC board metal connected to the package. The specified values are for short traces connected to the leads.

ESD, Electrostatic Discharge Protection

Parameter		Condition	Minimum Level	Unit
HBM	Human Body Model ESD	ANSI/ESDA/JEDEC JS-001 ⁽¹⁾	3	kV
CDM	Charged Device Model ESD	ANSI/ESDA/JEDEC JS-002 ⁽²⁾	1.5	kV

(1) JEDEC document JEP155 states that 500-V HBM allows safe manufacturing with a standard ESD control process.

(2) JEDEC document JEP157 states that 250-V CDM allows safe manufacturing with a standard ESD control process.

5-V, Zero-Drift, RRIO, 15-MHz, Precision Operational Amplifiers**Recommended Operating Conditions**

Parameter		Min	Typ	Max	Unit
V _S	Supply Voltage, (+V _S) – (–V _S)	2.7		5.5	V
T _A	Operating Temperature Range	–40		125	°C

Thermal Information

Package Type	θ _{JA}	θ _{Jc}	Unit
SOT353 (SC70-5)	400	150	°C/W
SOT23-5	250	81	°C/W
SOP8	158	43	°C/W
MSOP8	210	45	°C/W
TSSOP8	191	44	°C/W
DFN2X2-8	100	60	°C/W

5-V, Zero-Drift, RRIO, 15-MHz, Precision Operational Amplifiers
Electrical Characteristics

 All test conditions: $V_S = 5\text{ V}$, $T_A = 25^\circ\text{C}$, $R_L = 10\text{ k}\Omega$, $C_L = 100\text{ pF}$, unless otherwise noted

Parameter	Conditions	Min	Typ	Max	Unit	
Power Supply						
V_S	Supply Voltage Range	2.7		5.5	V	
I_Q	Quiescent Current per Amplifier	$V_S = 2.7\text{ V to }5.5\text{ V}$		1	1.2	mA
		$V_S = 2.7\text{ V to }5.5\text{ V}$, $T_A = -40^\circ\text{C to }125^\circ\text{C}$			1.8	mA
	Shutdown Current	$V_S = 2.7\text{ to }5.5\text{ V}$, /SHDN = 0 V		7.5		μA
		$V_S = 2.7\text{ to }5.5\text{ V}$, /SHDN = 0 V, $T_A = -40^\circ\text{C to }125^\circ\text{C}$			21	μA
	Input Logic High of Shutdown	$T_A = -40^\circ\text{C to }125^\circ\text{C}$	$0.7 \times V_S$		V	
	Input Logic Low of Shutdown	$T_A = -40^\circ\text{C to }125^\circ\text{C}$		$0.3 \times V_S$	V	
PSRR	Power Supply Rejection Ratio	$V_S = 2.7\text{ V to }5.5\text{ V}$	114	124		dB
		$V_S = 2.7\text{ V to }5.5\text{ V}$, $T_A = -40^\circ\text{C to }125^\circ\text{C}$	110			dB
Input Characteristics						
V_{OS}	Input Offset Voltage	$V_S = 5\text{ V}$, $V_{CM} = 2.5\text{ V}$	-10	1.2	10	μV
		$V_S = 5\text{ V}$, $V_{CM} = 2.5\text{ V}$, $T_A = -40^\circ\text{C to }125^\circ\text{C}$	-20		20	μV
		$V_S = 3.3\text{ V}$, $V_{CM} = 1.65\text{ V}$	-10	1.3	10	μV
		$V_S = 3.3\text{ V}$, $V_{CM} = 1.65\text{ V}$, $T_A = -40^\circ\text{C to }125^\circ\text{C}$	-20		20	μV
$V_{OS\ TC}$	Input Offset Voltage Drift	$T_A = -40^\circ\text{C to }125^\circ\text{C}$		0.01		$\mu\text{V}/^\circ\text{C}$
I_B	Input Bias Current	$V_S = 5\text{ V}$, $V_{CM} = 2.5\text{ V}$	-800	200	800	pA
		$V_S = 5\text{ V}$, $V_{CM} = 2.5\text{ V}$, $T_A = -40^\circ\text{C to }125^\circ\text{C}$	-1500		1500	pA
I_{OS}	Input Offset Current	$V_S = 5\text{ V}$, $V_{CM} = 2.5\text{ V}$	-800	120	800	pA
		$V_S = 5\text{ V}$, $V_{CM} = 2.5\text{ V}$, $T_A = -40^\circ\text{C to }125^\circ\text{C}$	-1000	440	1000	pA
R_{IN}			50		G Ω	
C_{IN}	Input Capacitance	Differential Mode		2		pF
		Common Mode		5		pF
A_V	Open-Loop Voltage Gain	$V_O = 0.5\text{ V to }4.5\text{ V}$	120	150		dB
		$V_O = 0.5\text{ V to }4.5\text{ V}$, $T_A = -40^\circ\text{C to }125^\circ\text{C}$	115			dB
V_{CMR}	Common-Mode Input Voltage Range	$T_A = -40^\circ\text{C to }125^\circ\text{C}$	$(-V_S)-0.1$		$(+V_S)+0.1$	V
CMRR	Common-Mode Rejection Ratio	$V_{CM} = 0\text{ V to }5\text{ V}$	115	144		dB

5-V, Zero-Drift, RRIO, 15-MHz, Precision Operational Amplifiers

Parameter	Conditions	Min	Typ	Max	Unit
	$V_{CM} = 0\text{ V to }5\text{ V}$, $T_A = -40^\circ\text{C to }125^\circ\text{C}$	110			dB
Output Characteristics					
	Output Voltage Swing from Positive Rail or Negative Rail	$R_{LOAD} = 10\text{ k}\Omega\text{ to }V_S/2$		5	mV
		$R_{LOAD} = 10\text{ k}\Omega\text{ to }V_S/2$, $T_A = -40^\circ\text{C to }125^\circ\text{C}$		10	mV
		$R_{LOAD} = 2\text{ k}\Omega\text{ to }V_S/2$		22	mV
		$R_{LOAD} = 2\text{ k}\Omega\text{ to }V_S/2$, $T_A = -40^\circ\text{C to }125^\circ\text{C}$		35	mV
I _{SC}	Output Short-Circuit Current	Sink or Source	140	160	mA
		Sink or Source, $T_A = -40^\circ\text{C to }125^\circ\text{C}$	100		mA
AC Specifications					
GBW	Gain-Bandwidth Product		15		MHz
SR	Slew Rate	$G = 1$, 2-V step	4.9		V/ μs
t _{OR}	Overload Recovery		5		μs
t _s	Settling Time, 0.1%	$G = 1$, 2-V step	3		μs
	Settling Time, 0.01%		4		μs
PM	Phase Margin	$R_L = 10\text{ k}\Omega$, $C_L = 100\text{ pF}$	45		°
GM	Gain Margin	$R_L = 10\text{ k}\Omega$, $C_L = 100\text{ pF}$	10		dB
	Channel Separation	$f = 100\text{ kHz}$	120		dB
Noise Performance					
E _N	Input Voltage Noise	$f = 0.1\text{ Hz to }10\text{ Hz}$	0.2		μV_{PP}
e _N	Input Voltage Noise Density	$f = 1\text{ kHz}$	10		nV/ $\sqrt{\text{Hz}}$
i _N	Input Current Noise	$f = 1\text{ kHz}$	200		fA/ $\sqrt{\text{Hz}}$
THD+N	Total Harmonic Distortion and Noise	$G = 1$, $f = 1\text{ kHz}$, $V_O = 1\text{ V}_{RMS}$, $R_L = 2\text{ k}\Omega$	0.0007		%

Typical Performance Characteristics

All test conditions: $V_S = 5\text{ V}$, $T_A = +25^\circ\text{C}$, the test device is TPA5581N-S6TR, unless otherwise noted.

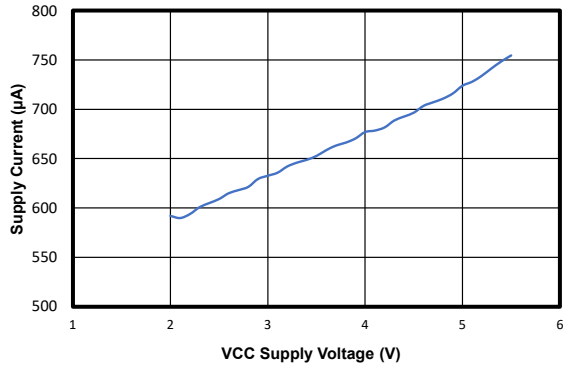


Figure 1. Supply Current vs. Supply Voltage

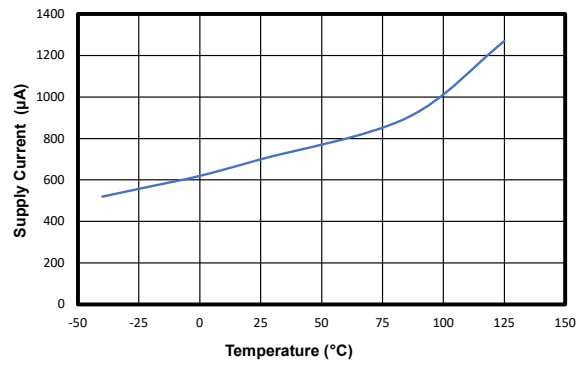


Figure 2. Supply Current vs. Temperature

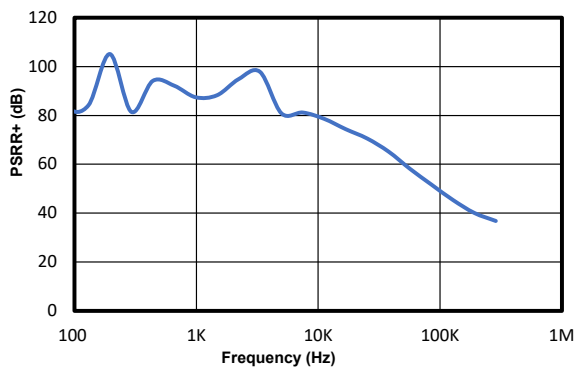


Figure 3. PSRR+ vs. Frequency

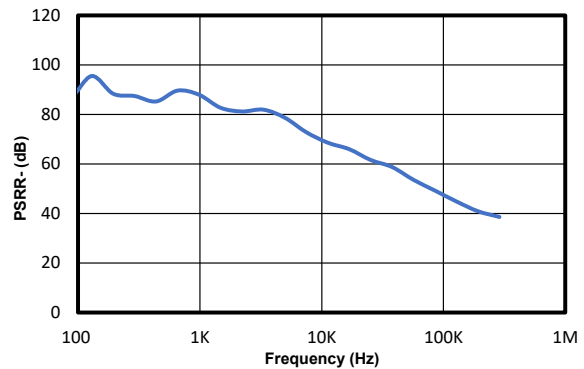


Figure 4. PSRR- vs. Frequency

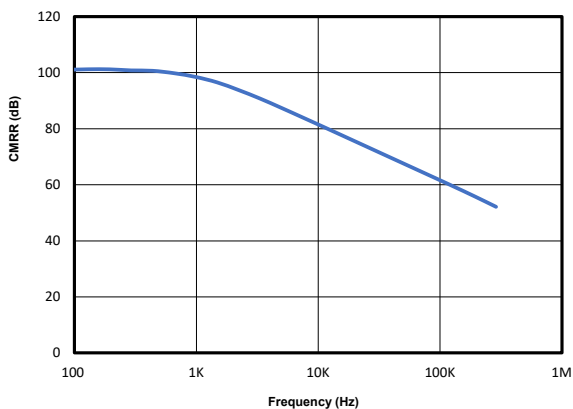


Figure 5. CMRR vs. Frequency

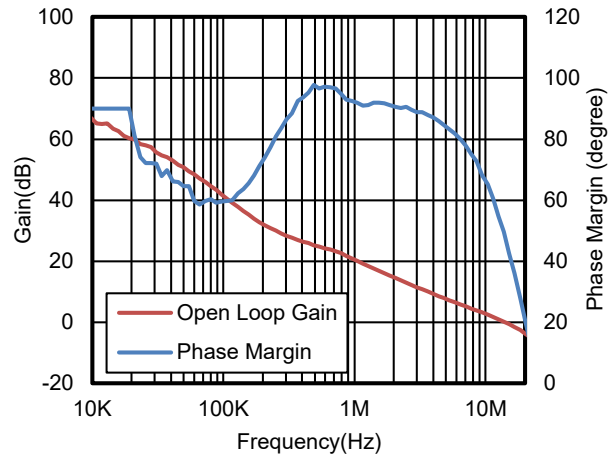


Figure 6. Open-Loop Gain and Phase Margin vs. Frequency, $R_L = 10\text{ k}\Omega$, $C_L = 100\text{ pF}$

5-V, Zero-Drift, RRIO, 15-MHz, Precision Operational Amplifiers

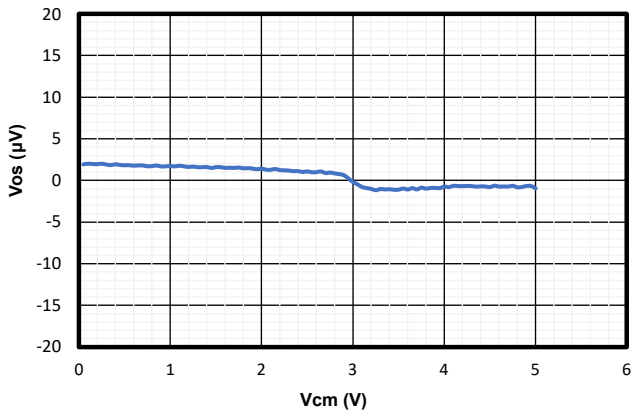


Figure 7. V_{OS} vs. V_{CM} , $V_S = 5\text{ V}$

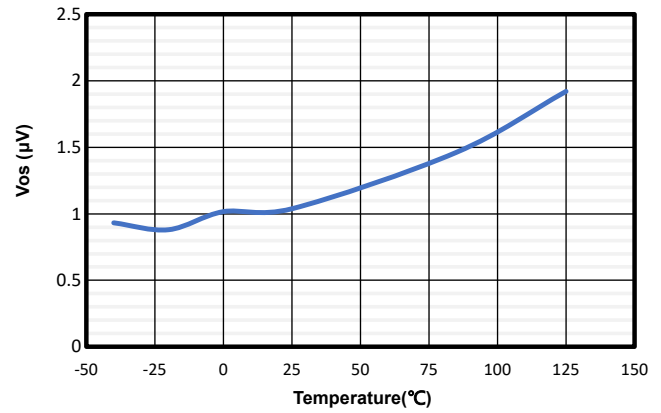


Figure 8. V_{OS} vs. Temperature

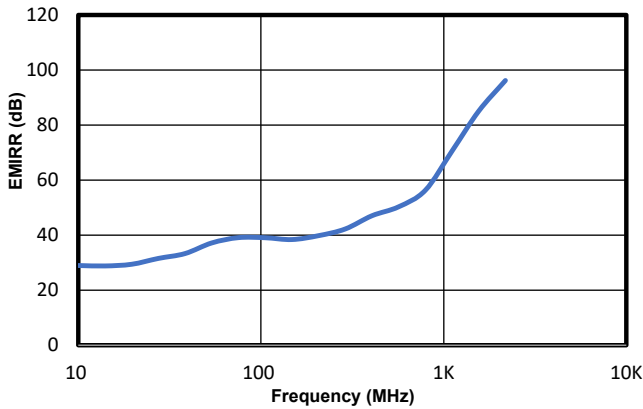


Figure 9. EMIRR vs. Frequency

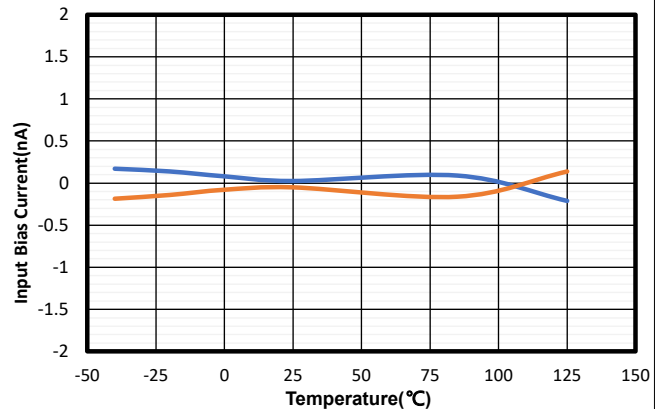


Figure 10. I_B vs. Temperature

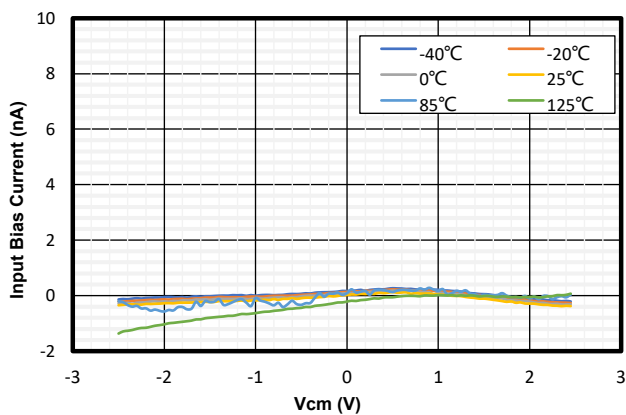


Figure 11. I_B vs. Common Voltage, $(-V_S) = -2.5\text{ V}$, $(+V_S) = 2.5\text{ V}$

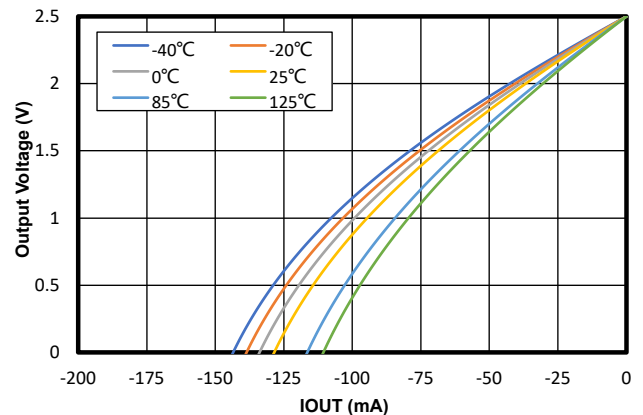


Figure 12. Output Voltage vs. Output Current, $(-V_S) = -2.5\text{ V}$, $(+V_S) = 2.5\text{ V}$

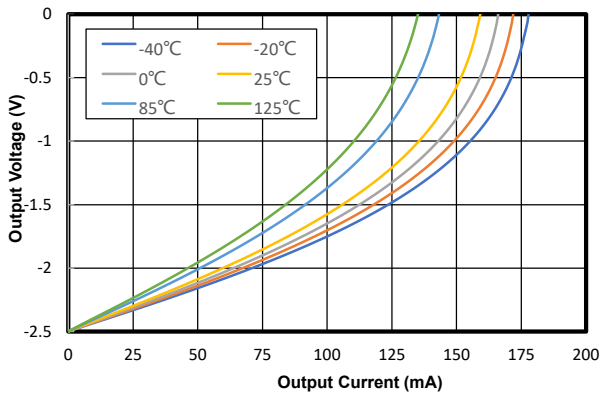


Figure 13. Output Voltage vs. Output Current, ($-V_S$) = -2.5 V, ($+V_S$) = 2.5 V

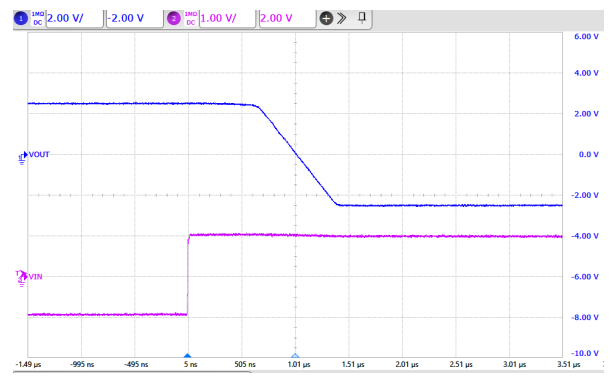


Figure 14. Overload Recovery at Negative Rail

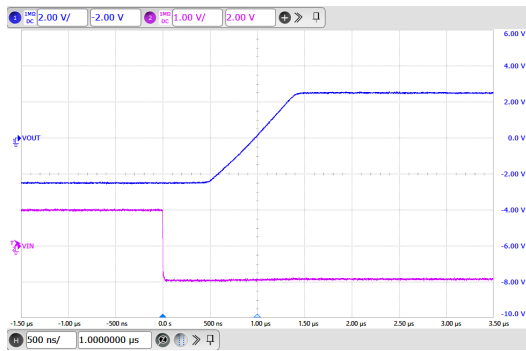


Figure 15. Overload Recovery at Positive Rail

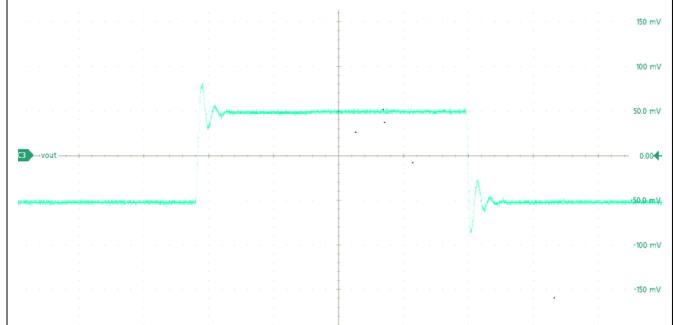


Figure 16. Small-Signal Step Response: 50 mV/div, Time: 400 ns/div

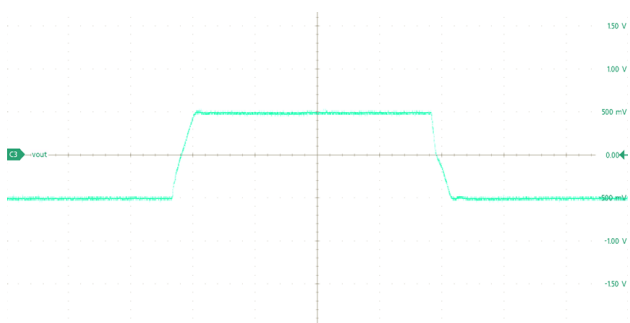


Figure 17. Large-Signal Step Response: 500 mV/div, Time: 400 ns/div

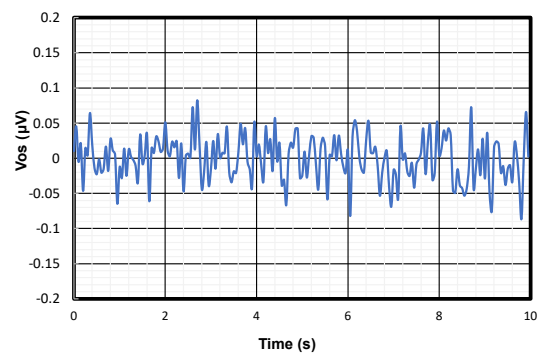


Figure 18. 0.1-Hz to 10-Hz Voltage Noise, $V_{CM} = 0$ V

5-V, Zero-Drift, RRIO, 15-MHz, Precision Operational Amplifiers

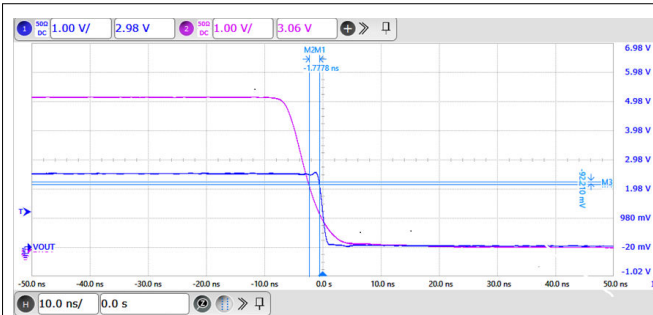


Figure 19. Turn-off Transient

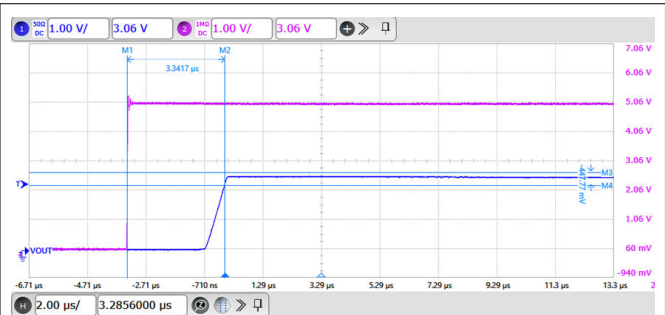


Figure 20. Turn-on Transient

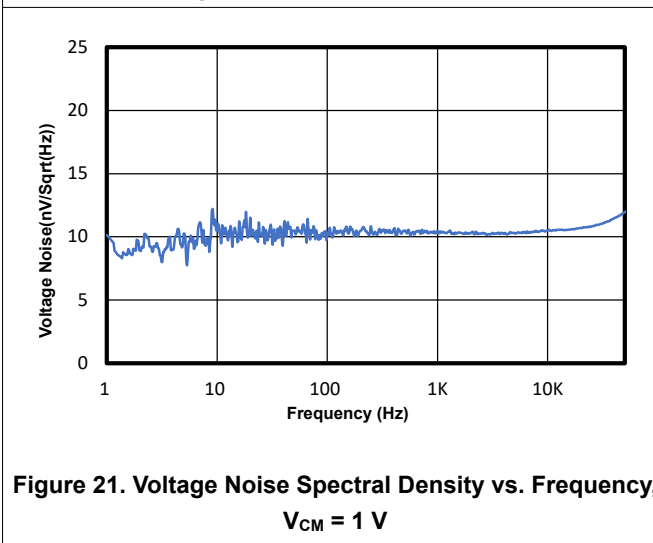


Figure 21. Voltage Noise Spectral Density vs. Frequency, $V_{CM} = 1\text{ V}$

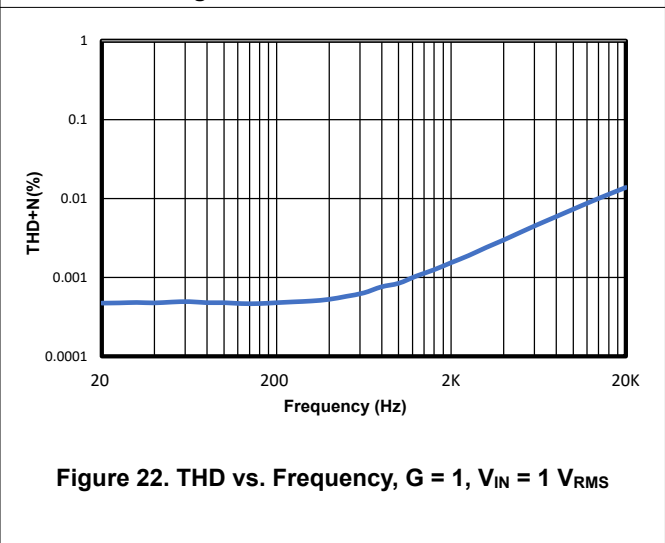


Figure 22. THD vs. Frequency, $G = 1$, $V_{IN} = 1\text{ V}_{RMS}$

Detailed Description

Overview

The TPA558x is a series of zero-drift amplifiers that can operate on a single-supply voltage (2.7 V to 5.5 V), or a split-supply voltage. With a precision auto-calibration technique, these amplifiers achieve low input offset voltage and input offset voltage drift which can achieve outstanding input and output dynamic linearity. The strengths of TPA558x also include 15-MHz bandwidth, no $1/f$ noise, $10\text{-nV}/\sqrt{\text{Hz}}$ noise spectral density, and 1-mA quiescent current, making the TPA558x suitable for many precision and temperature sensitive applications. Parameters that exhibit variance with regard to operating voltage or temperature are presented in [Typical Performance Characteristics](#).

Functional Block Diagram

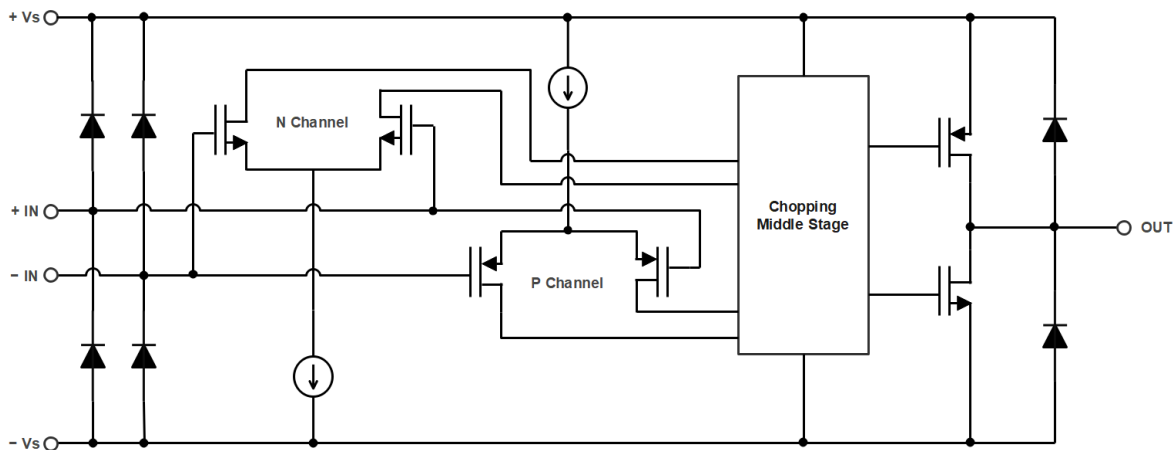


Figure 23. Functional Block Diagram

Feature Description

Operating Voltage

The TPA558x operational amplifier is designed for single-supply operation from 2.7 V to 5.5 V, or dual-supply operation from $\pm 1.35\text{ V}$ to $\pm 2.75\text{ V}$.

Residual Voltage Ripple

The chopping technique can be used in amplifier design due to the internal notch filter. Although the chopping related voltage ripple is suppressed, a higher noise spectrum exists at the chopping frequency and its harmonics due to the residual ripple.

The devices set the chopping frequency to 400 kHz. If the frequency of input signal is close to the chopping frequency, the signal may be interfered by the residue ripple. To suppress the noise at the chopping frequency, it is recommended that a post filter be placed at the output of the amplifier.

Rail-to-Rail Input

The input common-mode voltage range of the TPA558x family extends 100 mV beyond the supply rails. This performance is achieved with a complementary input stage: a P-channel input differential pair in parallel with an N-channel differential pair. The P-channel pair is active for inputs from 100 mV below the negative supply to approximately $(+V_S) - 1.5\text{ V}$, whereas the N-channel pair is active for input voltages close to the positive rail, typically $(+V_S) - 1.5\text{ V}$ to 100 mV above the positive

5-V, Zero-Drift, RRIO, 15-MHz, Precision Operational Amplifiers

supply. There is around 200-mV transition region at $(+V_S) - 1.5\text{ V}$ where both pairs are on. Within this transition region, PSRR, CMRR, offset voltage, offset drift, and THD can degrade comparing to that operating outside this region.

Rail-to-Rail Output

The TPA558x family delivers rail-to-rail output swing capability with a class-AB output stage. Different load conditions change the ability of the amplifier to swing close to the rails.

Shutdown Function

The shutdown function of the TPA558x is only available in the TPA558xN series. The voltage level of this is referenced to the supply voltage of the operational amplifier. The operational amplifier is enabled with a valid high voltage and shutdown by a valid low voltage. When the single supply is used, a valid high level is defined as $0.7 \times (+V_S)$ of the positive supply and a valid low level is defined as $0.3 \times (+V_S)$ of the positive supply.

For example, with $+V_S$ at 5 V and $-V_S$ at 0 V, a valid high level is defined as 3.5 V and a valid low level is defined as 1.5 V. If dual or split power supplies are used, make sure the valid high or valid low input signals are properly referred to the positive supply voltage. For example, with $+V_S$ at 2.5 V and $-V_S$ at -2.5 V, a valid high level is defined as 1 V and a valid low level is defined as -1 V.

The pin of SHDN is internally pulled up to a valid high level when this pin is left open state, so the amplifier is enabled initially if nothing is connected to the shutdown pin. The output state of the amplifier is assumed as high-impedance state if shut down. The specific requirement and performance about this function are provided in the [Typical Performance Characteristics](#) (see [Figure 19](#) and [Figure 20](#)). The output state of the amplifier is assumed as high-impedance state if shut down.

Application and Implementation

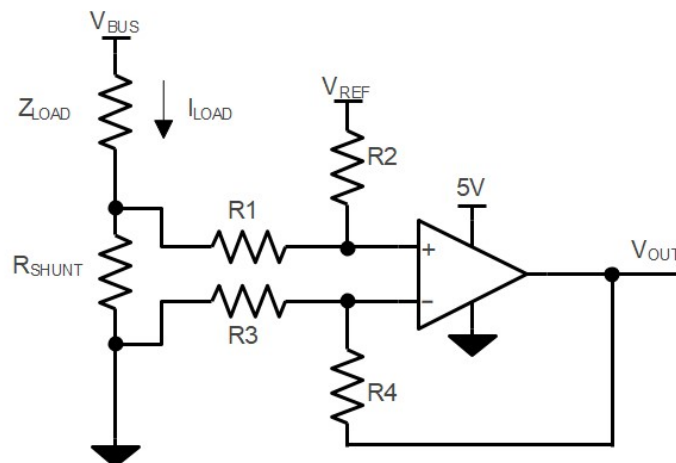
Note

Information in the following application sections is not part of the 3PEAK's component specification and 3PEAK does not warrant its accuracy or completeness. 3PEAK's customers are responsible for determining suitability of components for their purposes. Customers should validate and test their design implementation to confirm system functionality.

Application Information

Low-Side Current-Sensing Application

Figure 24 shows the device configured in a low-side current sensing application. The low-side current-sensing method consists of placing a sense resistor between the load and the circuit ground. The voltage dropping across the resistor is amplified by different amplifier circuits with the device. V_{REF} can be used to add bias voltage to the output voltage. Particular attention must be paid to the matching and precision of R1, R2, R3, and R4, to maximize the accuracy of the measurement.



$$V_{OUT} = (I_{LOAD} \times R_{SHUNT}) \times (R2 / R1) + V_{REF}$$

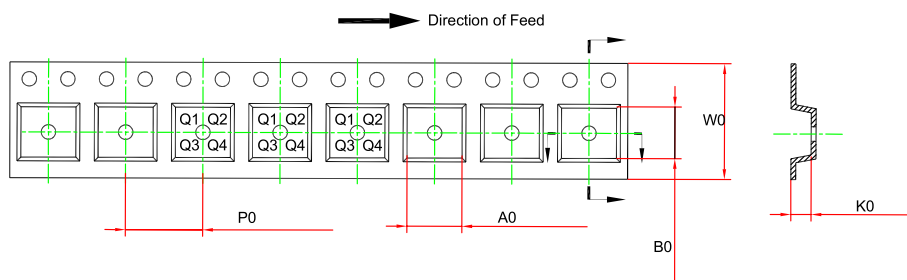
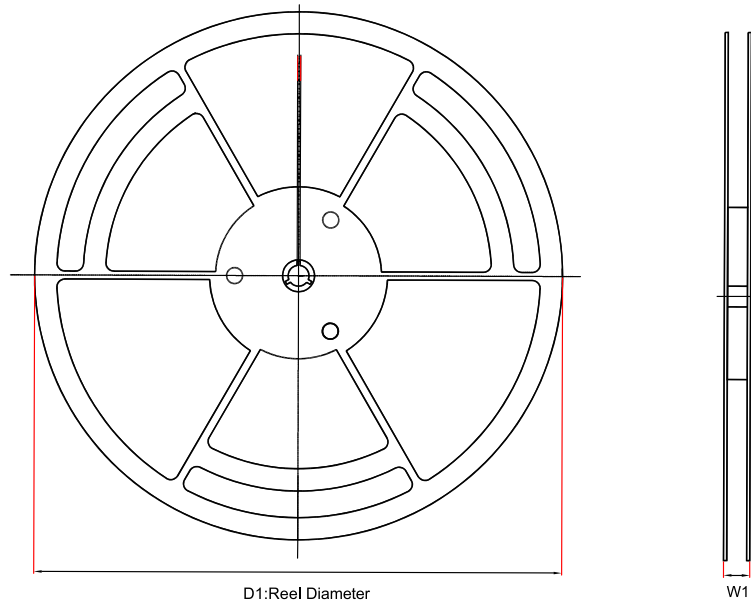
$$\text{When } R3 = R1, R2 = R4, R_{SHUNT} \ll R1$$

Figure 24. Low-Side Current-Sensing Application

Power Supply Recommendations

Place 0.1- μ F bypass capacitors close to the power supply pins to reduce coupling errors from the noise or high-impedance power supplies.

Tape and Reel Information



Order Number	Package	D1 (mm)	W1 (mm)	A0 (mm) ⁽¹⁾	B0 (mm) ⁽¹⁾	K0 (mm) ⁽¹⁾	P0 (mm)	W0 (mm)	Pin1 Quadrant
TPA5581-SC5R	SOT353 (SC70-5)	178.0	12.3	2.4	2.5	1.2	4.0	8.0	Q3
TPA5581U-SC5R	SOT353 (SC70-5)	178.0	12.3	2.4	2.5	1.2	4.0	8.0	Q3
TPA5581N-S6TR	SOT23-6	178.0	11.4	3.3	3.2	1.4	4.0	8.0	Q3
TPA5581-S5TR	SOT23-5	178.0	11.4	3.3	3.2	1.4	4.0	8.0	Q3
TPA5581U-S5TR	SOT23-5	178.0	11.4	3.3	3.2	1.4	4.0	8.0	Q3
TPA5582-SO1R	SOP8	330.0	16.8	6.6	5.5	2.1	8.0	12.0	Q1
TPA5582-DF7R	DFN3X3-8	330.0	17.6	3.3	3.3	1.1	8.0	12.0	Q1
TPA5582-DF4R	DFN2X2-8	180.0	13.1	2.3	2.3	1.1	4.0	8.0	Q1
TPA5582-TS1R	TSSOP8	330.0	17.6	6.8	3.3	1.2	8.0	12.0	Q1
TPA5582-VS1R	MSOP8	330.0	17.6	5.2	3.3	1.5	8.0	12.0	Q1
TPA5582N-VS2R	MSOP10	330.0	17.6	5.2	3.3	1.5	8.0	12.0	Q1

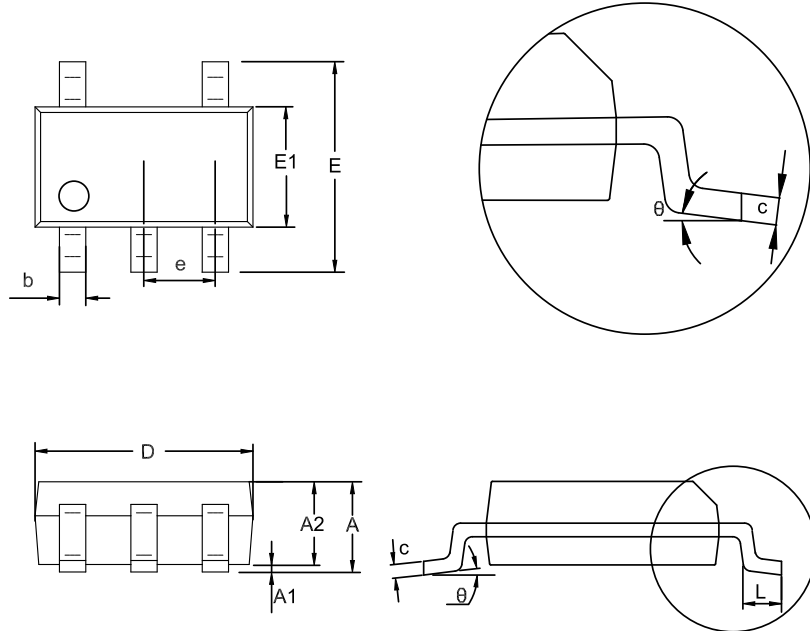
(1) The value is for reference only. Contact the 3PEAK factory for more information.

Package Outline Dimensions

SOT23-5

Package Outline Dimensions

S5T(SOT23-5-A)



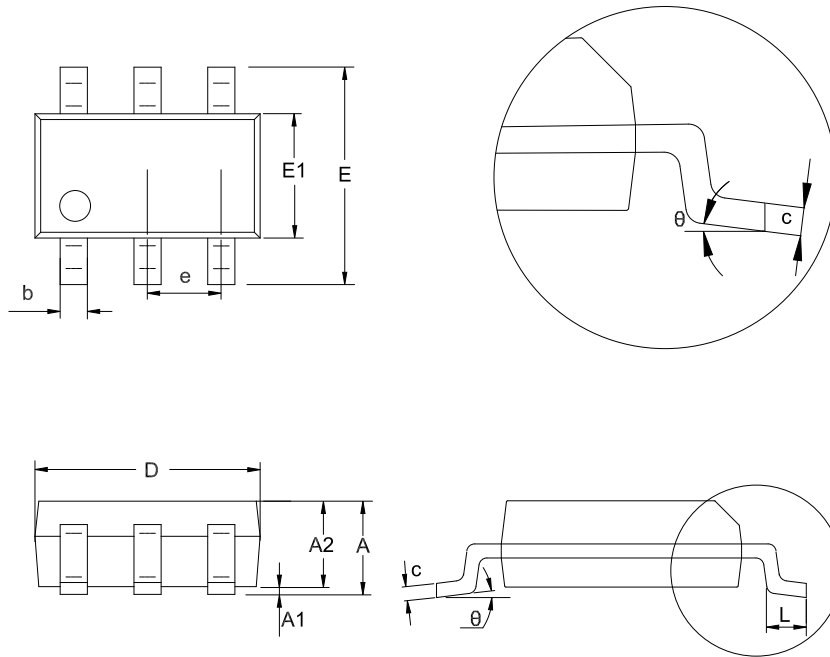
Symbol	Dimensions In Millimeters		Dimensions In Inches	
	MIN	MAX	MIN	MAX
A	1.050	1.250	0.041	0.049
A1	0.000	0.150	0.000	0.006
A2	1.000	1.200	0.039	0.047
b	0.280	0.500	0.011	0.020
c	0.100	0.230	0.004	0.009
D	2.820	3.020	0.111	0.119
E	2.600	3.000	0.102	0.118
E1	1.500	1.720	0.059	0.068
e	0.950 BSC		0.037 BSC	
L	0.300	0.600	0.012	0.024
θ	0	8°	0	8°

NOTES
 1. Do not include mold flash or protrusion.
 2. This drawing is subject to change without notice.

SOT23-6

Package Outline Dimensions

S6T(SOT23-6-A)



Symbol	Dimensions In Millimeters		Dimensions In Inches	
	MIN	MAX	MIN	MAX
A	1.050	1.250	0.041	0.049
A1	0.000	0.150	0.000	0.006
A2	1.000	1.200	0.039	0.047
b	0.280	0.500	0.011	0.020
c	0.100	0.230	0.004	0.009
D	2.820	3.020	0.111	0.119
E	2.600	3.000	0.102	0.118
E1	1.500	1.720	0.059	0.068
e	0.950 BSC		0.037 BSC	
L	0.300	0.600	0.012	0.024
theta	0	8°	0	8°

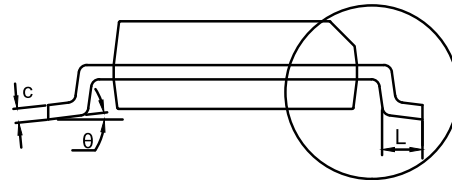
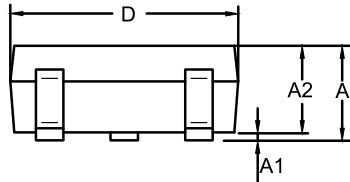
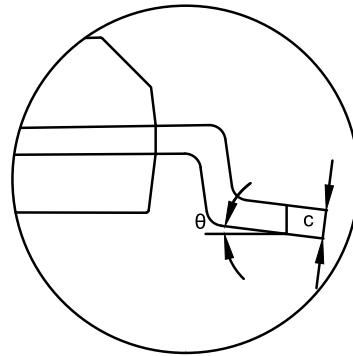
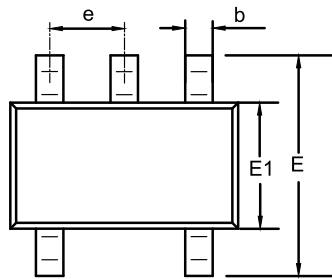
NOTES

1. Do not include mold flash or protrusion.
2. This drawing is subject to change without notice.

SOT353 (SC70-5)

Package Outline Dimensions

SC5(SOT353-5-A)



Symbol	Dimensions In Millimeters		Dimensions In Inches	
	MIN	MAX	MIN	MAX
A	0.850	1.100	0.033	0.043
A1	0.000	0.100	0.000	0.004
A2	0.800	1.000	0.031	0.039
b	0.150	0.350	0.006	0.014
c	0.110	0.230	0.004	0.009
D	2.000	2.200	0.079	0.087
E	2.150	2.450	0.085	0.096
E1	1.150	1.350	0.045	0.053
e	0.650 BSC		0.026 BSC	
L	0.260	0.460	0.010	0.018
θ	0	8°	0	8°

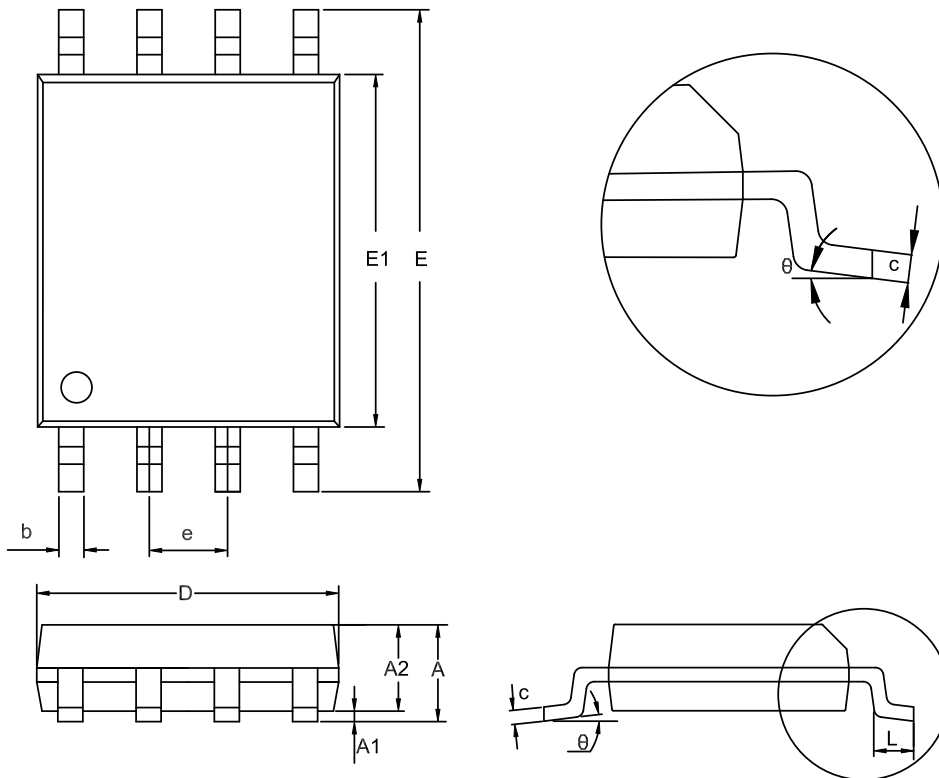
NOTES

1. Do not include mold flash or protrusion.
2. This drawing is subject to change without notice.

TSSOP8

Package Outline Dimensions

TS1(TSSOP-8-A)



Symbol	Dimensions In Millimeters		Dimensions In Inches	
	MIN	MAX	MIN	MAX
A	0.900	1.200	0.035	0.047
A1	0.050	0.150	0.002	0.006
A2	0.800	1.050	0.031	0.041
b	0.190	0.300	0.007	0.012
c	0.090	0.200	0.004	0.008
D	2.900	3.100	0.114	0.122
E	6.200	6.600	0.244	0.260
E1	4.300	4.500	0.169	0.177
e	0.650 BSC		0.026 BSC	
L	0.450	0.750	0.018	0.030
theta	0	8°	0	8°

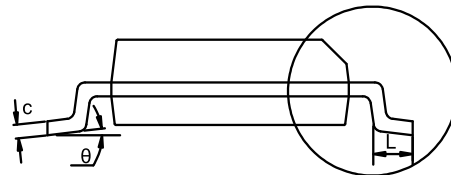
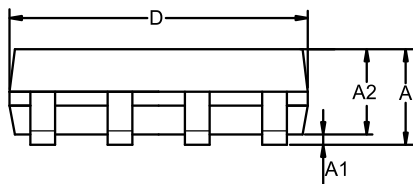
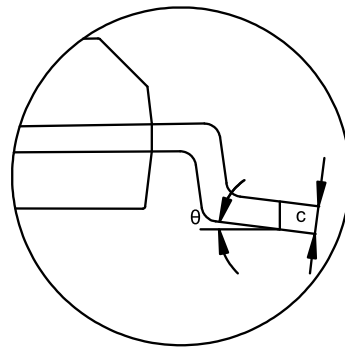
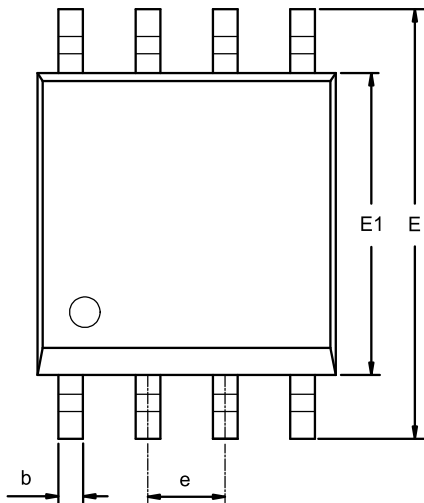
NOTES

1. Do not include mold flash or protrusion.
2. This drawing is subject to change without notice.

MSOP8

Package Outline Dimensions

VS1(MSOP-8-A)



Symbol	Dimensions In Millimeters		Dimensions In Inches	
	MIN	MAX	MIN	MAX
A	0.800	1.100	0.031	0.043
A1	0.020	0.150	0.001	0.006
A2	0.750	0.950	0.030	0.037
b	0.250	0.380	0.010	0.015
c	0.090	0.230	0.004	0.009
D	2.900	3.100	0.114	0.122
E	4.700	5.100	0.185	0.201
E1	2.900	3.100	0.114	0.122
e	0.650 BSC		0.026 BSC	
L	0.400	0.800	0.016	0.031
θ	0	8°	0	8°

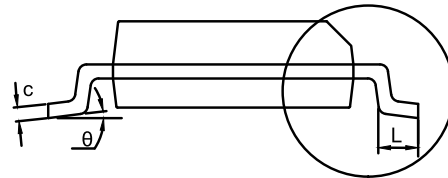
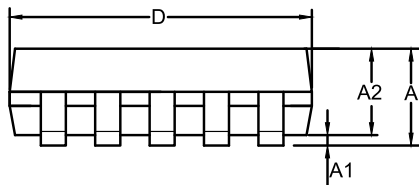
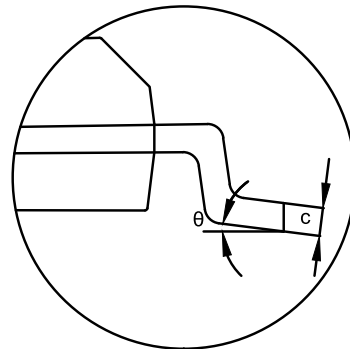
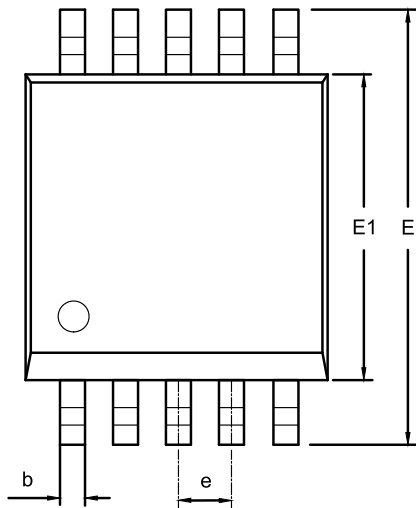
NOTES

1. Do not include mold flash or protrusion.
2. This drawing is subject to change without notice.

MSOP10

Package Outline Dimensions

VS2(MSOP-10-A)



Symbol	Dimensions In Millimeters		Dimensions In Inches	
	MIN	MAX	MIN	MAX
A	0.800	1.100	0.031	0.043
A1	0.050	0.150	0.002	0.006
A2	0.750	0.950	0.030	0.037
b	0.180	0.280	0.007	0.011
c	0.090	0.230	0.004	0.009
D	2.900	3.100	0.114	0.122
E	4.700	5.100	0.185	0.201
E1	2.900	3.100	0.114	0.122
e	0.500 BSC		0.020 BSC	
L	0.400	0.800	0.016	0.031
theta	0	8°	0	8°

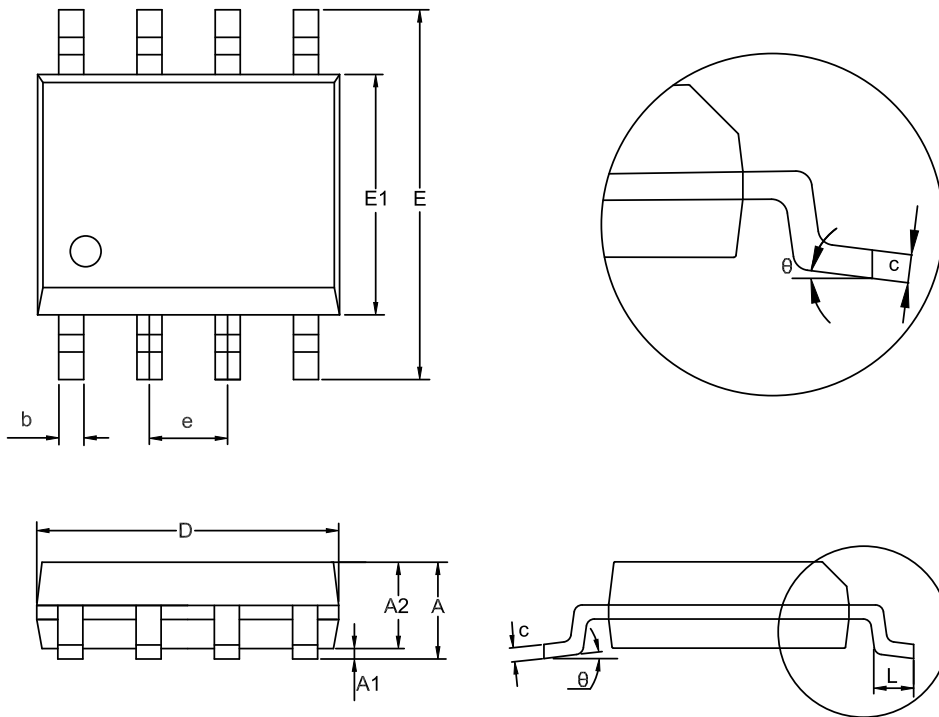
NOTES

1. Do not include mold flash or protrusion.
2. This drawing is subject to change without notice.

SOP8

Package Outline Dimensions

SO1(SOP-8-A)



Symbol	Dimensions In Millimeters		Dimensions In Inches	
	MIN	MAX	MIN	MAX
A	1.350	1.750	0.053	0.069
A1	0.050	0.250	0.002	0.010
A2	1.250	1.550	0.049	0.061
b	0.330	0.510	0.013	0.020
c	0.170	0.250	0.007	0.010
D	4.700	5.100	0.185	0.201
E	5.800	6.200	0.228	0.244
E1	3.800	4.000	0.150	0.157
e	1.270 BSC		0.050 BSC	
L	0.400	1.000	0.016	0.039
theta	0	8°	0	8°

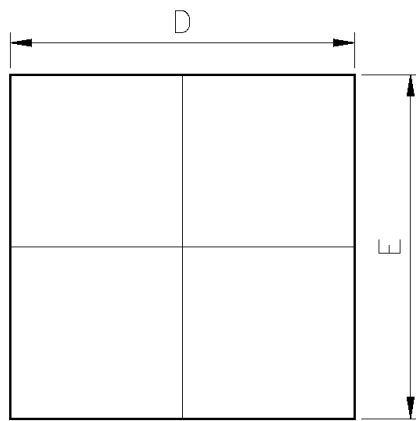
NOTES

1. Do not include mold flash or protrusion.
2. This drawing is subject to change without notice.

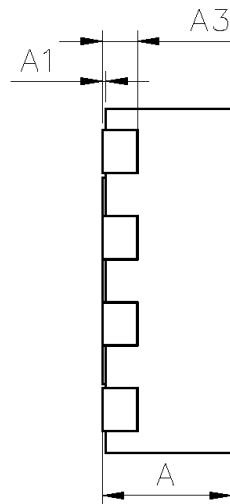
DFN2X2-8

Package Outline Dimensions

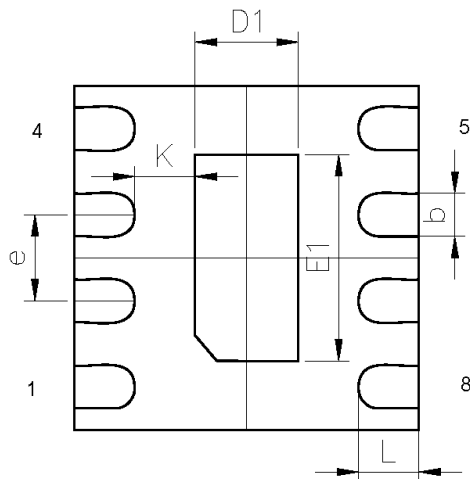
DF4(DFN2X2-8-D)



Top View



Side View



Bottom View

Symbol	Dimensions In Millimeters		Dimensions In Inches	
	MIN	MAX	MIN	MAX
A	0.700	0.800	0.028	0.031
A1	0.000	0.050	0.000	0.002
b	0.180	0.300	0.007	0.012
A3	0.150	0.250	0.006	0.010
D	1.900	2.100	0.075	0.083
D1	0.800	1.000	0.031	0.039
E	1.900	2.100	0.075	0.083
E1	1.500	1.700	0.059	0.067
e	0.500 BSC		0.020BSC	
L	0.250	0.350	0.010	0.014

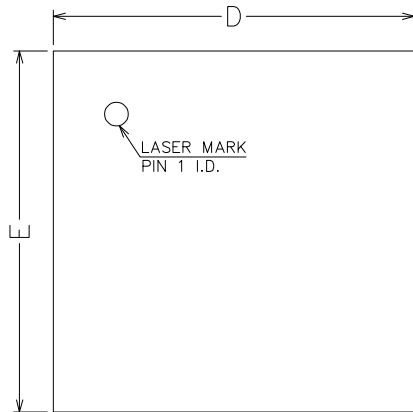
NOTES

1. Do not include mold flash or protrusion.
2. This drawing is subject to change without notice.

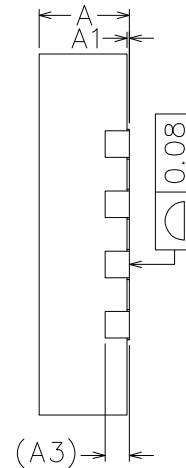
DFN3X3-8

Package Outline Dimensions

DF7(DFN3X3-8-G)



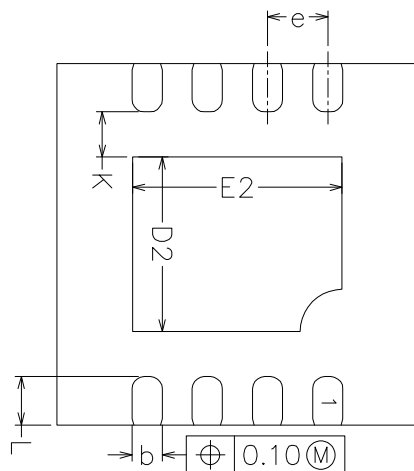
TOP VIEW



SIDE VIEW



SIDE VIEW



BOTTOM VIEW

NOTES

1. Do not include mold flash or protrusion.
2. This drawing is subject to change without notice.

Symbol	Dimensions In Millimeters		Dimensions In Inches	
	MIN	MAX	MIN	MAX
A	0.700	0.900	0.028	0.035
A1	0.000	0.050	0.000	0.002
b	0.200	0.300	0.008	0.012
A3	0.203REF		0.008REF	
D	2.924	3.076	0.115	0.121
D2	1.600	1.800	0.630	0.071
E	2.924	3.076	0.115	0.121
E2	2.300	2.500	0.906	0.098
e	0.500 BSC		0.020 BSC	
L	0.324	0.476	0.013	0.019

5-V, Zero-Drift, RRIO, 15-MHz, Precision Operational Amplifiers
Order Information

Order Number	Operating Temperature Range	Package	Marking Information	MSL	Transport Media, Quantity	Eco Plan
TPA5581-SC5R ⁽¹⁾	-40 to 125°C	SOT353 (SC70-5)	581	3	Tape and Reel, 3000	Green
TPA5581U-SC5R	-40 to 125°C	SOT353 (SC70-5)	58U	3	Tape and Reel, 3000	Green
TPA5581N-S6TR	-40 to 125°C	SOT23-6	58N	3	Tape and Reel, 3000	Green
TPA5581-S5TR	-40 to 125°C	SOT23-5	581	3	Tape and Reel, 3000	Green
TPA5581U-S5TR	-40 to 125°C	SOT23-5	58U	3	Tape and Reel, 3000	Green
TPA5582-SO1R	-40 to 125°C	SOP8	A5582	3	Tape and Reel, 4000	Green
TPA5582-DF4R	-40 to 125°C	DFN2X2-8	558	3	Tape and Reel, 3000	Green
TPA5582-TS1R	-40 to 125°C	TSSOP8	A5582	3	Tape and Reel, 3000	Green
TPA5582-DF7R ⁽¹⁾	-40 to 125°C	DFN3X3-8	558	3	Tape and Reel, 3000	Green
TPA5582N-VS2R ⁽¹⁾	-40 to 125°C	MSOP10	5582N	3	Tape and Reel, 3000	Green
TPA5582-VS1R	-40 to 125°C	MSOP8	A5582	3	Tape and Reel, 3000	Green

(1) For future products, contact the 3PEAK factory for more information and samples.

Green: 3PEAK defines "Green" to mean RoHS compatible and free of halogen substances.

IMPORTANT NOTICE AND DISCLAIMER

Copyright© 3PEAK 2012-2024. All rights reserved.

Trademarks. Any of the 思瑞浦 or 3PEAK trade names, trademarks, graphic marks, and domain names contained in this document /material are the property of 3PEAK. You may NOT reproduce, modify, publish, transmit or distribute any Trademark without the prior written consent of 3PEAK.

Performance Information. Performance tests or performance range contained in this document/material are either results of design simulation or actual tests conducted under designated testing environment. Any variation in testing environment or simulation environment, including but not limited to testing method, testing process or testing temperature, may affect actual performance of the product.

Disclaimer. 3PEAK provides technical and reliability data (including data sheets), design resources (including reference designs), application or other design recommendations, networking tools, security information and other resources "As Is". 3PEAK makes no warranty as to the absence of defects, and makes no warranties of any kind, express or implied, including without limitation, implied warranties as to merchantability, fitness for a particular purpose or non-infringement of any third-party's intellectual property rights. Unless otherwise specified in writing, products supplied by 3PEAK are not designed to be used in any life-threatening scenarios, including critical medical applications, automotive safety-critical systems, aviation, aerospace, or any situations where failure could result in bodily harm, loss of life, or significant property damage. 3PEAK disclaims all liability for any such unauthorized use.