

Features

- Reference Voltage Tolerance
 - 0.5% at 25°C
- Adjustable Output Voltage
 - V_{REF} to 36 V
- Low Output Noise
- Typical Output Impedance: 0.2 Ω
- Sink Current Capability: 1 mA to 80 mA
- Operation Temperature Range: -40°C to 125°C
- Package: SOT23G-3

Applications

- Power Module
- LED Lighting
- Current Sensing System
- Instrumentation
- Industrial Control

Description

The TPR433 and TPR434 are 3-terminal adjustable shunt voltage references. The output voltage of both devices can be set to any value within the range from V_{REF} to 36 V with an external feedback resistor network.

The TPR433 and TPR434 have exactly same electrical performance and same package but different pin orders. The device provides a 0.2- Ω output impedance and a quick turn-on characteristic, making it an excellent replacement for ordinary Zener diode in many applications.

The TPR433 and TPR434 support a wide output current range from 1 to 80 mA with a SOT23G-3 package. Both devices are qualified with the operating temperature range from -40°C to +125°C.

Typical Application Circuit

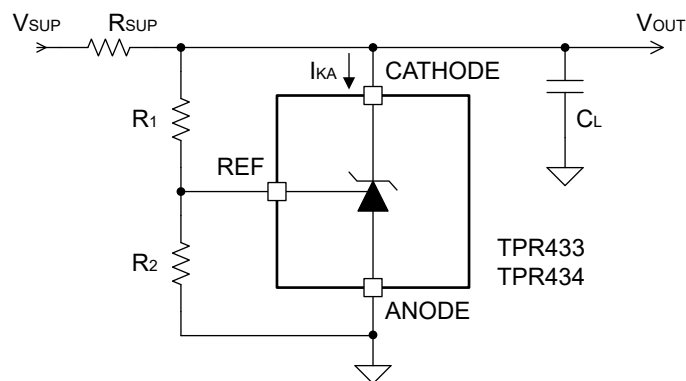


Table of Contents

Features	1
Applications	1
Description	1
Typical Application Circuit	1
Product Family Table	3
Revision History	3
Pin Configuration and Functions	4
Specifications	5
Absolute Maximum Ratings ⁽¹⁾	5
ESD, Electrostatic Discharge Protection.....	5
Recommended Operating Conditions.....	5
Thermal Information.....	5
Electrical Characteristics.....	6
Typical Performance Characteristics.....	7
Detailed Description	10
Overview.....	10
Functional Block Diagram.....	10
Feature Description.....	10
Application and Implementation	11
Application Information	11
Typical Application.....	11
Layout	13
Layout Guideline.....	13
Layout Example.....	13
Tape and Reel Information	14
Package Outline Dimensions	15
SOT23G-3.....	15
Order Information	16
IMPORTANT NOTICE AND DISCLAIMER	17

Product Family Table

Order Number	Output Voltage	Package
TPR433B-3STR-S	0.5%	SOT23G-3
TPR434B-3STR-S	0.5%	SOT23G-3

Revision History

Revision	Notes
Rev.Pre.0	Preliminary revision.
Rev.A.0	Initial released.

Pin Configuration and Functions

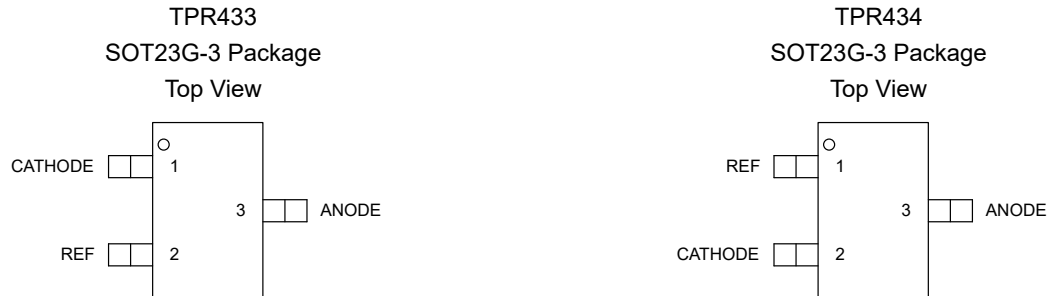


Table 1. Pin Functions: TPR433 and TPR434

Pin Number		Pin Name	I/O	Description
TPR433	TPR434			
3	3	ANODE	O	Common ANODE pin. Suggest connect this pin to the ground directly.
1	2	CATHODE	I/O	CATHODE pin. The input of the shunt current/voltage.
2	1	REF	I	REF threshold pin.

Specifications

Absolute Maximum Ratings ⁽¹⁾

Parameter		Min	Max	Unit
Cathode Voltage ⁽²⁾			37	V
Continuous Cathode Current		-100	150	mA
Reference Input Current			10	mA
T _J	Maximum Junction Temperature	-40	150	°C
T _A	Operating Temperature Range	-40	125	°C
T _{STG}	Storage Temperature Range	-65	150	°C
T _L	Lead Temperature (Soldering 10 sec)		260	°C

(1) Stresses beyond those listed under Absolute Maximum Ratings may cause permanent damage to the device. Exposure to any Absolute Maximum Rating condition for extended periods may affect device reliability and lifetime.

(2) Voltage values are with respect to ANODE, unless other noted.

ESD, Electrostatic Discharge Protection

Parameter		Condition	Minimum Level	Unit
HBM	Human Body Model ESD	ANSI/ESDA/JEDEC JS-001 ⁽¹⁾	±2000	V
CDM	Charged Device Model ESD	ANSI/ESDA/JEDEC JS-002 ⁽²⁾	±1000	V

(1) JEDEC document JEP155 states that 500-V HBM allows safe manufacturing with a standard ESD control process.

(2) JEDEC document JEP157 states that 250-V CDM allows safe manufacturing with a standard ESD control process.

Recommended Operating Conditions

Parameter		Min	Max	Unit
V _{KA}	Cathode Voltage	V _{REF}	36	V
I _{KA}	Cathode Current	1	80	mA
T _J	Junction Temperature Range	-40	125	°C

Thermal Information

Package Type	θ _{JA}	θ _{Jc}	Unit
SOT23G-3	400	120	°C/W

Electrical Characteristics

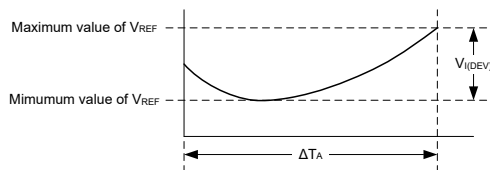
All test condition: $T_A = +25^\circ\text{C}$, unless otherwise noted.

Parameter		Conditions	Min	Typ	Max	Unit
V_{REF}	Reference Voltage	$V_{KA} = V_{REF}, I_{KA} = 10\text{ mA}$	2.483	2.495	2.507	V
$V_{I(DEV)}$	Reference Input Voltage Deviation over Temperature Range ⁽¹⁾	$V_{KA} = V_{REF}, I_{KA} = 10\text{ mA}, T_A = -40\text{ to }85^\circ\text{C}$		5	15	mV
		$V_{KA} = V_{REF}, I_{KA} = 10\text{ mA}, T_A = -40\text{ to }125^\circ\text{C}$		11	30	mV
$\frac{\Delta V_{REF}}{\Delta V_{KA}}$	Ratio of the Change in Reference Voltage to the Change in Cathode Voltage	$I_{KA} = 10\text{ mA}, V_{KA} = 10\text{ V to }V_{REF}$	-1.5	0.3	1.5	mV/V
		$I_{KA} = 10\text{ mA}, V_{KA} = 36\text{ V to }10\text{ V}$	-1	0.1	1	mV/V
I_{REF}	Reference Input Current	$I_{KA} = 10\text{ mA}, R1 = 10\text{ K}, R2\text{ Open}$		1.8	4	μA
$I_{I(DEV)}$	Reference Input Current Deviation over Temperature Range ⁽¹⁾	$I_{KA} = 10\text{ mA}, R1 = 10\text{ K}, R2\text{ Open}, T_A = -40\text{ to }125^\circ\text{C}$		0.1	1	μA
$I_{KA(MIN)}$	Minimum Cathode Current for Regulation	$V_{KA} = V_{REF}$		0.4	0.6	mA
$I_{KA(OFF)}$	Off-State Cathode Current	$V_{KA} = 36\text{ V}, V_{REF} = 0\text{ V}$		0.2	0.5	μA
		$V_{KA} = 36\text{ V}, V_{REF} = 0\text{ V}, T_A = -40\text{ to }125^\circ\text{C}$		0.2	1.5	μA
$ Z_{KA} $	Dynamic Output Impedance ⁽¹⁾	$V_{KA} = V_{REF}, f \leq 1\text{ kHz}, I_{KA} = 1\text{ mA to }80\text{ mA}$		0.2	2.6	Ω

(1) The deviation parameters $V_{I(DEV)}$ and $I_{I(DEV)}$ are defined as the differences between the minimum value and the maximum value obtained over the temperature range. The average full-range temperature coefficient of the reference input voltage

$\alpha_{V_{REF}}$ is defined as $|\alpha_{V_{REF}}| \left(\frac{\text{ppm}}{^\circ\text{C}} \right) = \frac{V_{I(DEV)}/V_{REF, 25^\circ\text{C}}}{\Delta T_A} \times 10^6$. Where, $V_{REF, 25^\circ\text{C}}$ is the typical value at room temperature

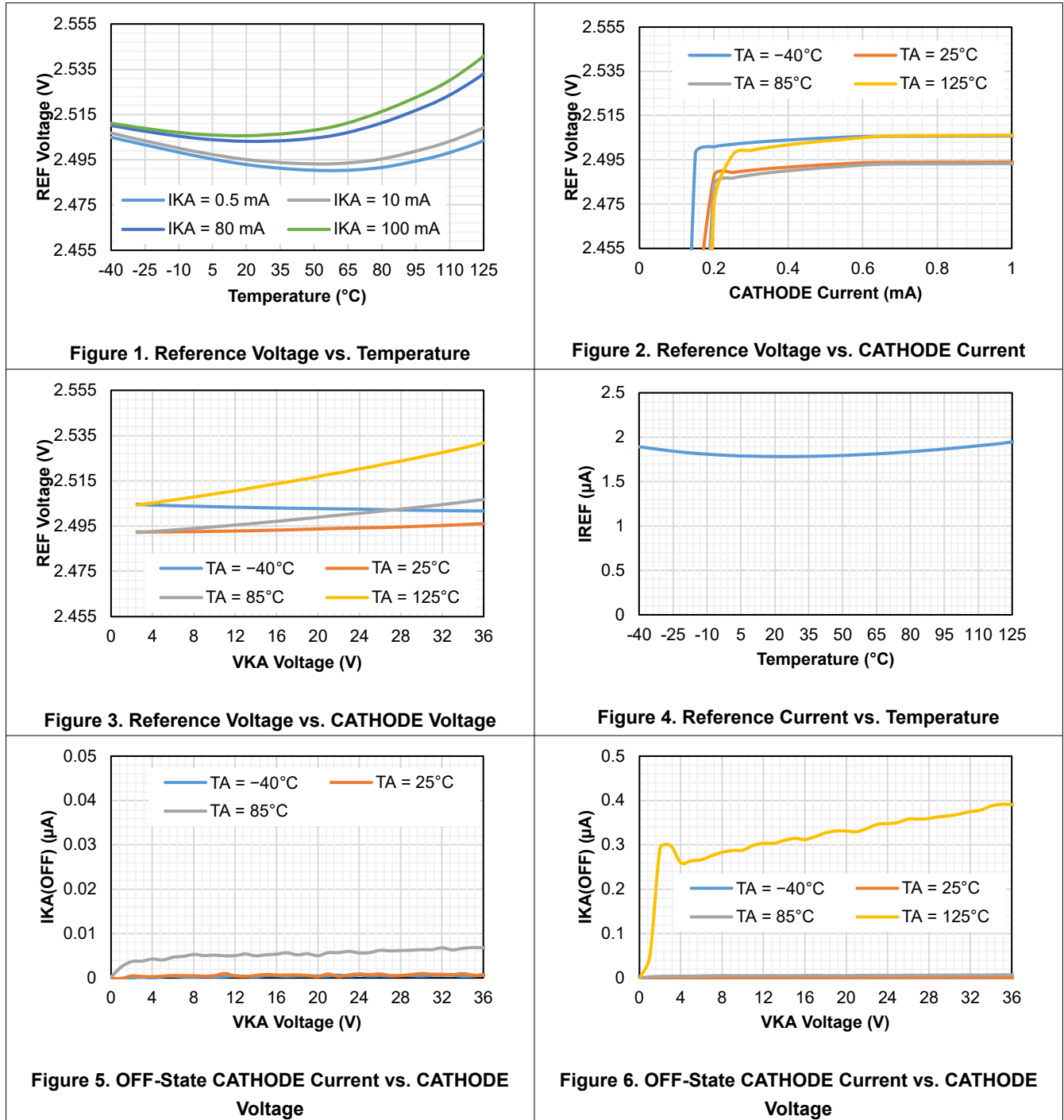
of 25°C , ΔT_A is the rated operating ambient temperature range of the device. $\alpha_{V_{REF}}$ is positive or negative, depending on whether minimum value or maximum value of the V_{REF} occurs at the lower temperature.



(2) The dynamic impedance is defined as $|Z_{KA}| = \frac{\Delta V_{KA}}{\Delta I_{KA}}$. When the device is operating with two external resistors, the total

dynamic impedance of the circuit is $|Z'| = \frac{\Delta V}{\Delta I}$, which is approximately equal to $|Z_{KA}| \left(1 + \frac{R1}{R2} \right)$.

Typical Performance Characteristics

 All test conditions: $T_A = 25^\circ\text{C}$, $V_{\text{OUT}} = 2.5\text{ V}$, $I_{\text{KA}} = 10\text{ mA}$, unless otherwise noted.


Precision Programmable Shunt Voltage Reference

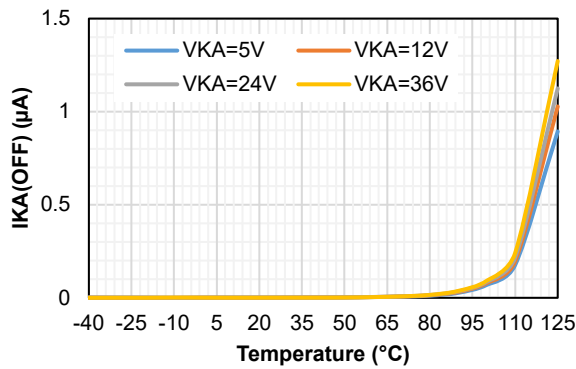


Figure 7. OFF-State CATHODE Current vs. Temperature

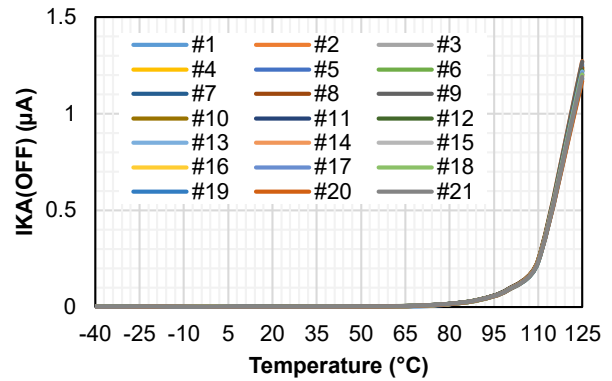


Figure 8. OFF-State CATHODE Current vs. Temperature

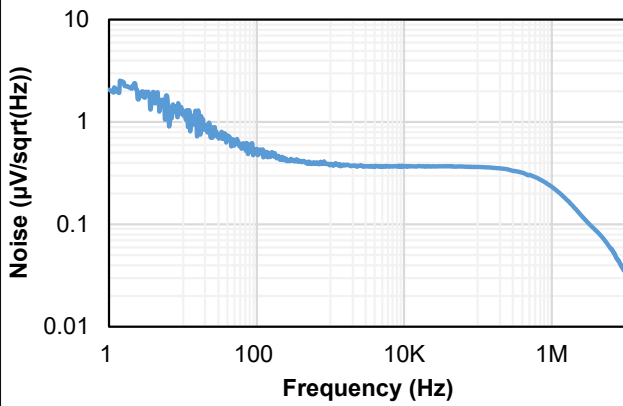


Figure 9. Equivalent Noise Voltage vs. Frequency

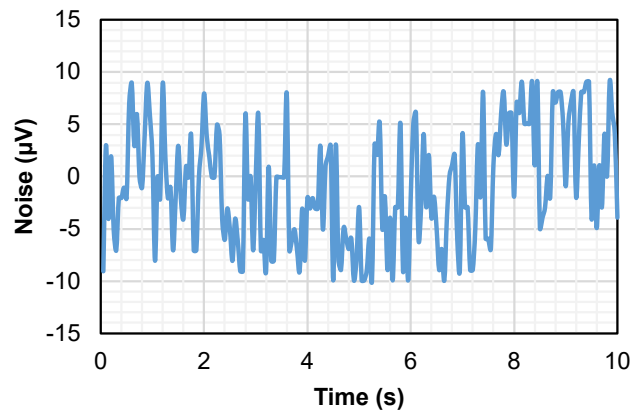


Figure 10. 0.1 to 10Hz Noise Voltage

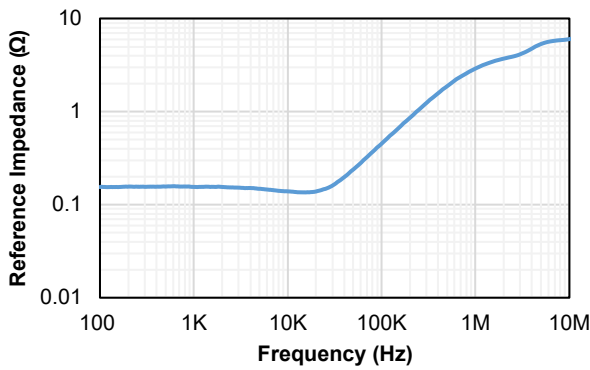
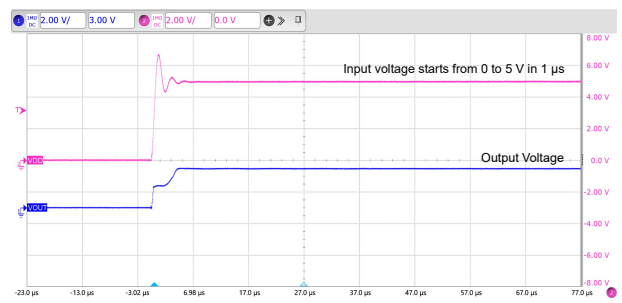


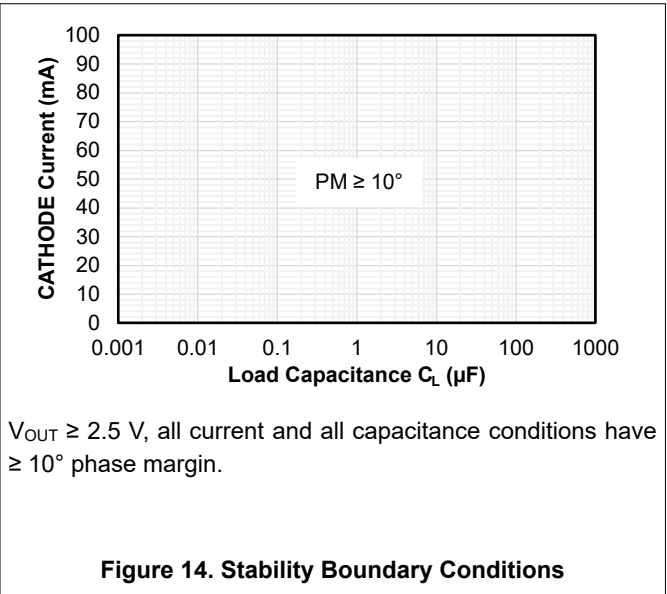
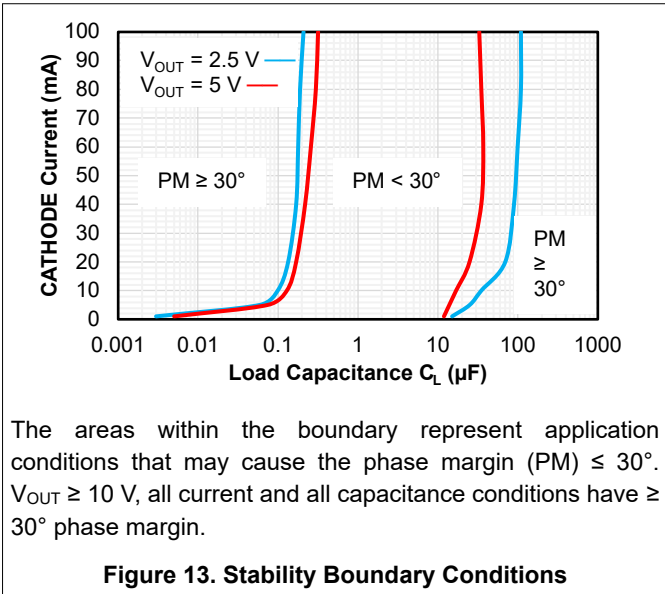
Figure 11. Reference Impedance vs. Frequency



Input voltage starts from 0 to 5 V in 1 μ s. No C_L .

Figure 12. Power Up

Precision Programmable Shunt Voltage Reference



Detailed Description

Overview

The TPR433 and TPR434 are 3-terminal adjustable shunt voltage references. The output voltage of both devices can be set to any value within the range of V_{REF} to 36 V with an external feedback resistor network.

The TPR433 and TPR434 have exactly same electrical performance and same package but different pin orders. The device provides a 0.2- Ω output impedance and a quick turn-on characteristic, making it an excellent replacement for ordinary Zener diode in many applications.

The TPR433 and TPR434 support a wide output current range from 1 to 80 mA with a SOT23G-3 package. Both devices are qualified with the operating temperature range from -40°C up to $+125^{\circ}\text{C}$.

Functional Block Diagram

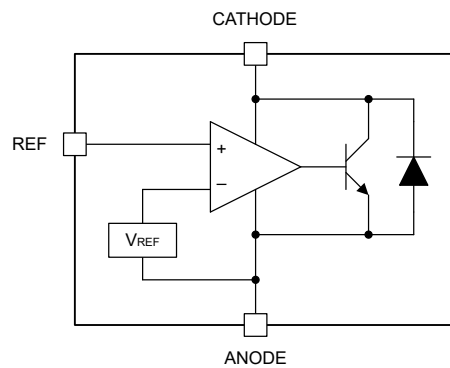


Figure 15. Functional Block Diagram

Feature Description

The TPR433 and TPR434 products are 3-terminal adjustable shunt voltage references. They consist of an internal reference and amplifier that outputs a sink current based on the difference between the REF pin and the internal reference (shown in the [Block Diagram](#)).

Closed Loop Operation

The TPR433 and TPR434 products operate in the closed loop when the voltage or current of CATHODE pin is fed back to the REF pin. In this manner, the device regulates a fixed voltage or current. The feedback allows the device to function as an error amplifier, adjusting a portion of the output voltage to maintain the desired regulation. This is achieved by relating the output voltage back to the reference pin in order to make it equal to the internal reference voltage, which can be done through resistive or direct feedback.

Open Loop Operation

The TPR433 and TPR434 products operate in the open loop when the voltage or current of CATHODE pin is not being fed to the REF pin in any way. When proper cathode current (I_{KA}) is applied, the device will exhibit the characteristics shown in [Figure 15](#). With such high gain in this setup, the device is typically used as a comparator. The integrated reference makes it a preferred choice for users to monitor a specific signal level.

Application and Implementation

Note

Information in the following application sections is not part of the 3PEAK's component specification and 3PEAK does not warrant its accuracy or completeness. 3PEAK's customers are responsible for determining suitability of components for their purposes. Customers should validate and test their design implementation to confirm system functionality.

Application Information

The TPR433 and TPR434 products are 3-terminal adjustable shunt voltage references. The output voltage of both devices can be set to any value within the range from V_{REF} to 36 V with an external resistor divider. The following section shows the typical usage of the device.

Typical Application

Shunt Regulator/Reference

Figure 16 shows the typical application schematic in the shunt regulator/reference (closed loop) mode.

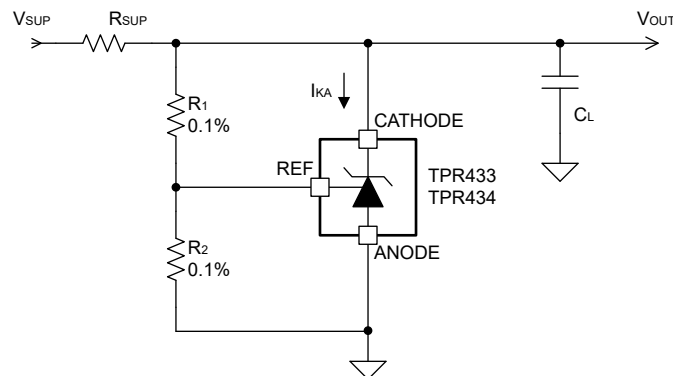


Figure 16. Typical Application Circuit in Shunt Regulator/Reference Mode

As discussed in [Feature Description](#), a feedback resistors network is required at the device CATHODE pin and REF pin to get regulated output voltage. The CATHODE voltage can be set to the value between V_{REF} to 36 V with [Equation 1](#).

$$V_{OUT} = \left(1 + \frac{R1}{R2}\right) \times V_{REF} \quad (1)$$

Where, R1 and R2 are the feedback resistors, V_{REF} is 2.495 V typically.

For the CATHODE capacitive load requirement, please refer to [Figure 16](#).

Comparator with Integrated Reference

Figure 17 shows the typical application schematic in the comparator (open loop) mode.

Precision Programmable Shunt Voltage Reference

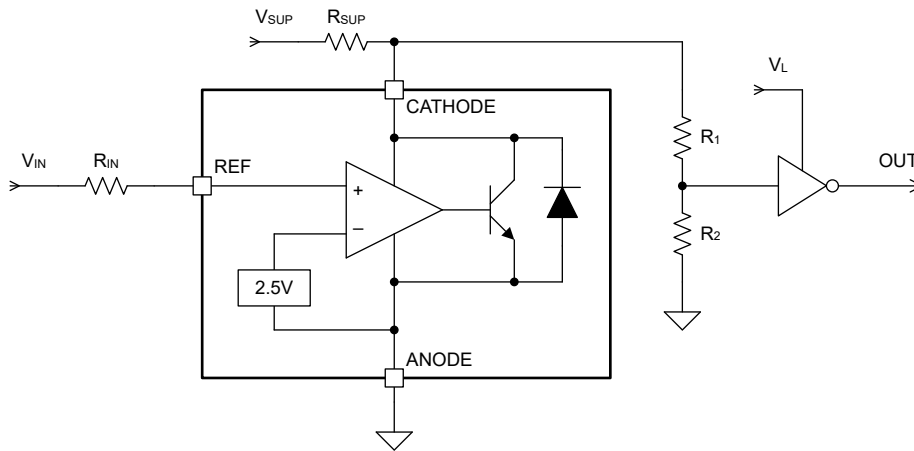


Figure 17. Typical Application Circuit in Comparator Mode

As discussed in [Feature Description](#), the device will operate as a comparator with the configuration in [Figure 17](#). By comparing the V_{REF} pin voltage to the internal reference voltage, the device will output a logic signal accordingly. With a proper CATHODE current ($\geq I_{KA(MIN)}$), the device will have enough open loop gain to provide a quick response.

Layout

Layout Guideline

- Both input bypass capacitors and output bypass capacitors must be placed as close to the device pins as possible.
- It is recommended to use wide trace and thick copper to minimize $I \times R$ drop for the high current path.

Layout Example

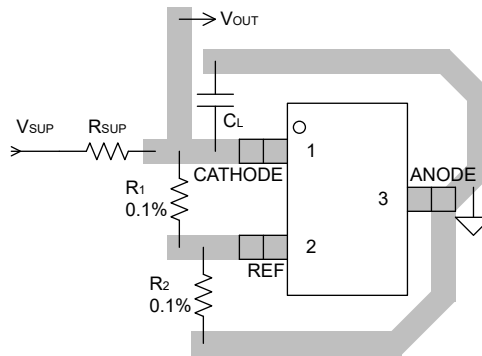


Figure 18. Layout Example of TPR433 in Shunt Regulator/Reference Mode

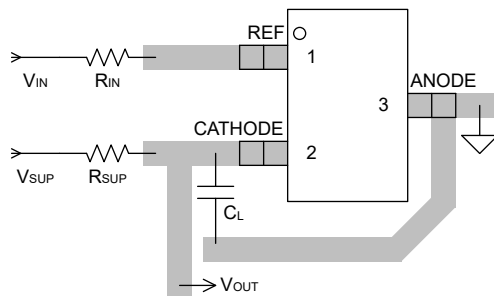
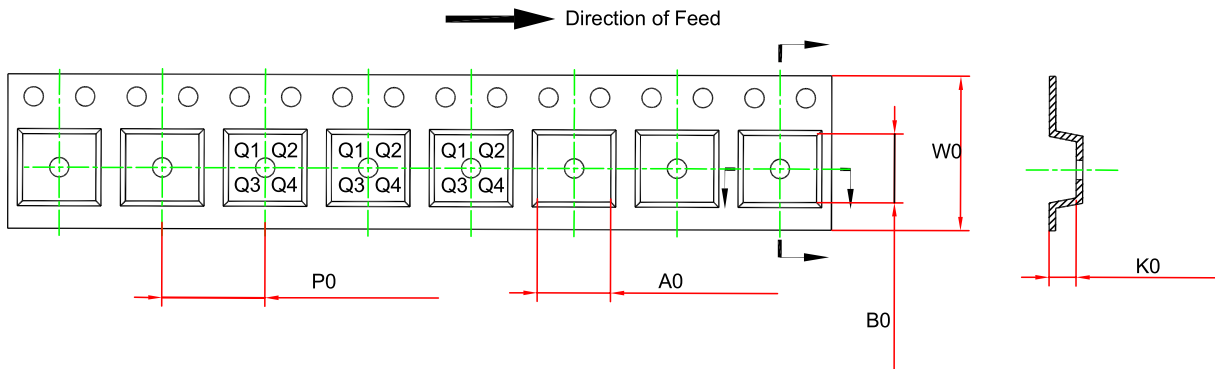
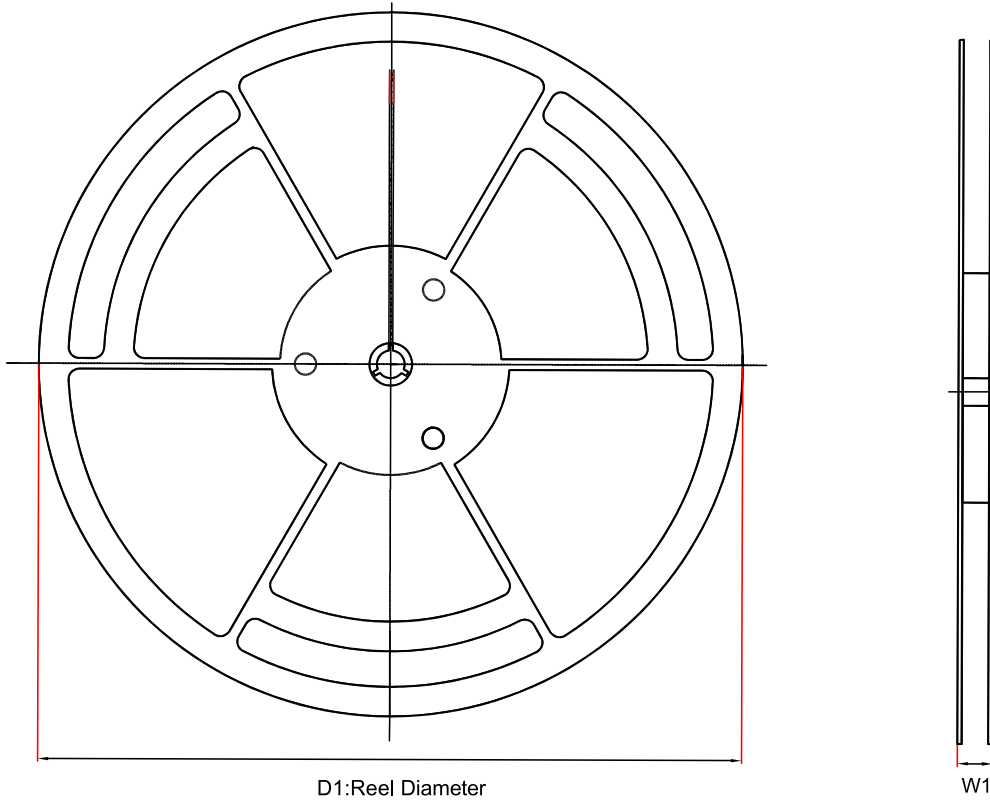
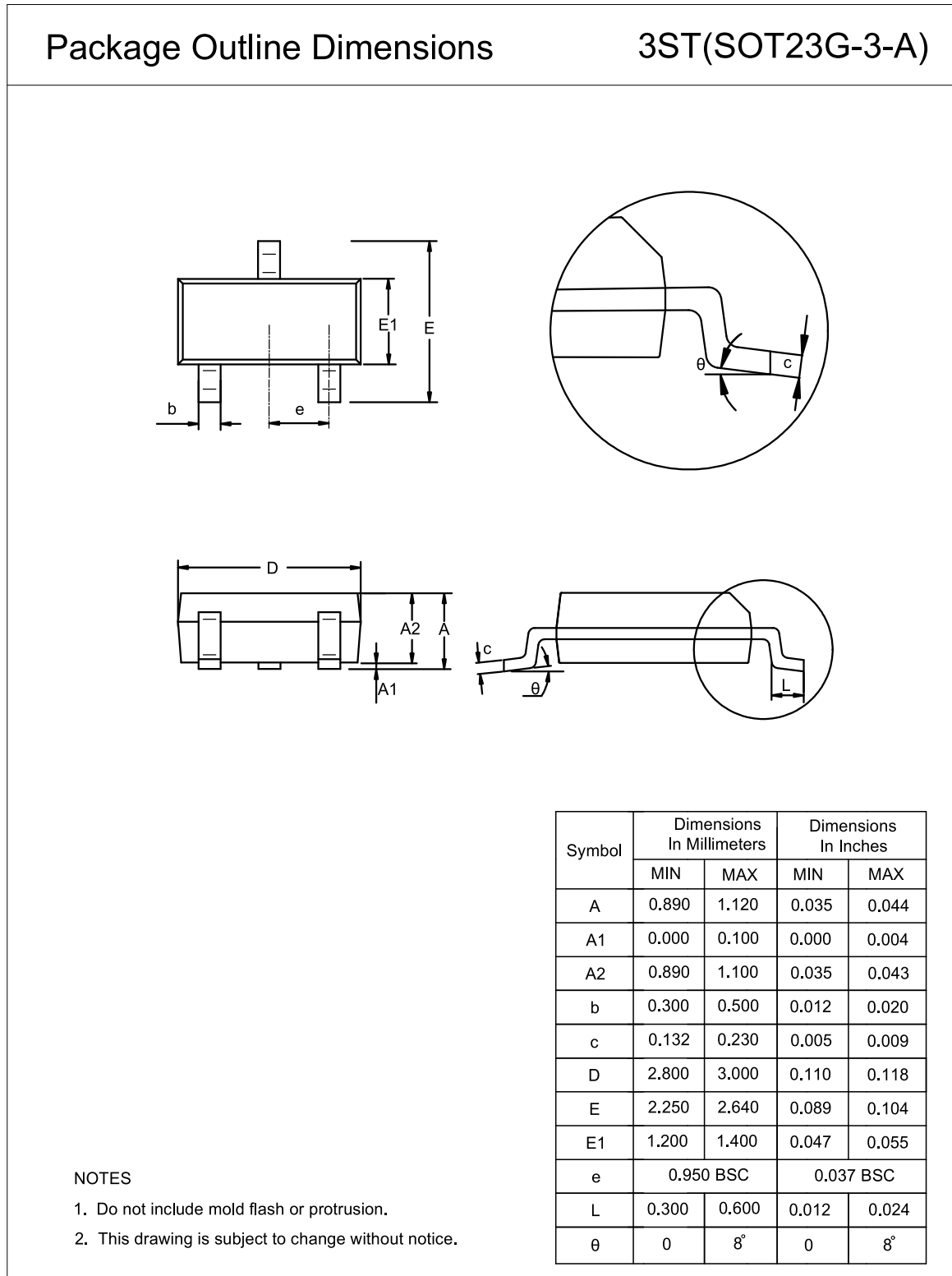


Figure 19. Layout Example of TPR434 in Comparator Mode

Tape and Reel Information



Order Number	Package	D1 (mm)	W1 (mm)	A0 (mm)	B0 (mm)	K0 (mm)	P0 (mm)	W0 (mm)	Pin1 Quadrant
TPR433B-3ST R-S	SOT23G-3	178	12.1	3.15	2.77	1.22	4.0	8.0	Q3
TPR434B-3ST R-S	SOT23G-3	178	12.1	3.15	2.77	1.22	4.0	8.0	Q3

Package Outline Dimensions
SOT23G-3


Order Information

Order Number	Operating Temperature Range	Package	Marking Information	MSL	Transport Media, Quantity	Eco Plan
TPR433B-3STR-S	-40°C to +125°C	SOT23G-3	R33	MSL3	3,000	Green
TPR434B-3STR-S	-40°C to +125°C	SOT23G-3	R34	MSL3	3,000	Green

(1) **Green:** 3PEAK defines "Green" to mean RoHS compatible and free of halogen substances.

IMPORTANT NOTICE AND DISCLAIMER

Copyright© 3PEAK 2012-2023. All rights reserved.

Trademarks. Any of the 思瑞浦 or 3PEAK trade names, trademarks, graphic marks, and domain names contained in this document /material are the property of 3PEAK. You may NOT reproduce, modify, publish, transmit or distribute any Trademark without the prior written consent of 3PEAK.

Performance Information. Performance tests or performance range contained in this document/material are either results of design simulation or actual tests conducted under designated testing environment. Any variation in testing environment or simulation environment, including but not limited to testing method, testing process or testing temperature, may affect actual performance of the product.

Disclaimer. 3PEAK provides technical and reliability data (including data sheets), design resources (including reference designs), application or other design recommendations, networking tools, security information and other resources "As Is". 3PEAK makes no warranty as to the absence of defects, and makes no warranties of any kind, express or implied, including without limitation, implied warranties as to merchantability, fitness for a particular purpose or non-infringement of any third-party's intellectual property rights. Unless otherwise specified in writing, products supplied by 3PEAK are not designed to be used in any life-threatening scenarios, including critical medical applications, automotive safety-critical systems, aviation, aerospace, or any situations where failure could result in bodily harm, loss of life, or significant property damage. 3PEAK disclaims all liability for any such unauthorized use.

This page intentionally left blank