

Automotive Grade 5-V General Purpose Analog Switch

Features

- AEC Q100: Automotive Grade 1
- Analog Switch Voltage: 1.8 V, 2.5 V, 3.3 V, 5 V
- Low ON-State Resistance:
 - typical 75 Ω at Vs = 5 V
 - typical 120Ω at Vs = 3.3 V
 - typical 650 Ω at Vs = 1.8 V
- Bandwidth: 250 MHz
- Fast Switching Times: t_{ON} = 22 ns, t_{OFF} = 8 ns
- Break-Before-Make Switching
- Operation Temperature Range: -40°C to 125°C
- TPW3188Q – P2P with: – Industry version TPW4051

Applications

- Industry Control Systems
- Battery-Powered Systems
- Audio Signal Routing
- Instrumentation

Description

The TPW3188Q is a single-pole octal-throw analog switch (SP8T) suitable for analog or digital 8:1 multiplexer/demultiplexer applications. The switch features three digital select inputs (S0, S1, and S2), eight independent inputs/outputs (An), a common input/output (A), and a digital enable input (/E). When /E is HIGH, the switches are turned off.

The device is designed on an enhanced process that provides lower power dissipation and gives high switching speeds. These devices can operate equally well as either multiplexers or de-multiplexers and have an input range that extends to the supplies. All channels exhibit break-before-make switching action, preventing momentary shorting when switching channels.

The TPW3188Q is available in the TSSOP-16 package and is characterized from -40°C to +125°C.

Typical Application Circuit

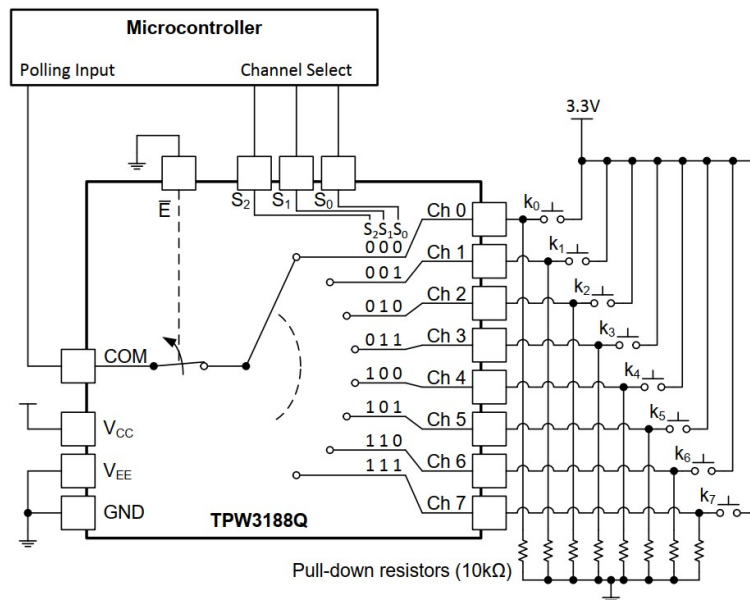


Table of Contents

| | |
|---|-----------|
| Features | 1 |
| Applications | 1 |
| Description | 1 |
| Typical Application Circuit | 1 |
| Revision History | 3 |
| Pin Configuration and Functions | 4 |
| Specifications | 6 |
| Absolute Maximum Ratings ⁽¹⁾ | 6 |
| ESD, Electrostatic Discharge Protection..... | 6 |
| Recommended Operating Conditions ⁽¹⁾ | 6 |
| Thermal Information..... | 7 |
| Electrical Characteristics..... | 8 |
| Electrical Characteristics (Continued)..... | 9 |
| Electrical Characteristics (Continued)..... | 10 |
| Typical Performance Characteristics..... | 12 |
| Test Circuits and Waveforms..... | 15 |
| Detailed Description | 16 |
| Overview..... | 16 |
| Functional Block Diagram..... | 16 |
| Feature Description..... | 16 |
| Application and Implementation | 17 |
| Application Information | 17 |
| Typical Application..... | 17 |
| Layout | 19 |
| Layout Example..... | 19 |
| Tape and Reel Information | 20 |
| Package Outline Dimensions | 21 |
| TSSOP16..... | 21 |
| Order Information | 22 |
| IMPORTANT NOTICE AND DISCLAIMER | 23 |

Revision History

| Date | Revision | Notes |
|------------|------------|--|
| 2022-11-28 | Rev. Pre.0 | Initial version. |
| 2023-05-28 | Rev. A.0 | Released version. |
| 2023-07-10 | Rev. A.1 | <ul style="list-style-type: none">Added I_{GND}, I_{OK}, P_{tot} parameters in the table of Absolute Maximum Ratings.Added LU parameter in the table of ESD, Electrostatic Discharge Protection. |

Pin Configuration and Functions

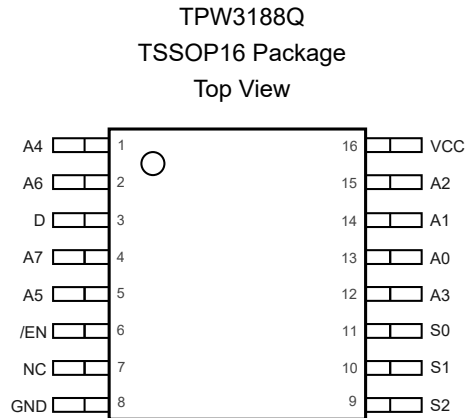


Table 1. Pin Functions: TPW3188Q

| Pin No. | Name | I/O | Description |
|---------|-----------------|-----|-----------------------------|
| 1 | A4 | I/O | Channel 4 input or output |
| 2 | A6 | I/O | Channel 6 input or output |
| 3 | D | I/O | Common input or output |
| 4 | A7 | I/O | Channel 7 input or output |
| 5 | A5 | I/O | Channel 5 input or output |
| 6 | /E | I | Enable switches, active low |
| 7 | NC | | Not Connected |
| 8 | GND | | Ground |
| 9 | S2 | I | Control Input |
| 10 | S1 | I | Control Input |
| 11 | S0 | I | Control Input |
| 12 | A3 | I/O | Channel 3 input or output |
| 13 | A0 | I/O | Channel 0 input or output |
| 14 | A1 | I/O | Channel 1 input or output |
| 15 | A2 | I/O | Channel 2 input or output |
| 16 | V _{CC} | | Positive Power Input |

Automotive Grade 5-V General Purpose Analog Switch

Table 2. Functional Table

| /E, Enable | S2 | S1 | S0 | ON Channel |
|-------------------|-----------|-----------|-----------|-------------------|
| L | L | L | L | A0 |
| L | L | L | H | A1 |
| L | L | H | L | A2 |
| L | L | H | H | A3 |
| L | H | L | L | A4 |
| L | H | L | H | A5 |
| L | H | H | L | A6 |
| L | H | H | H | A7 |
| H | X | X | X | None |

(1) X = Don't care

Automotive Grade 5-V General Purpose Analog Switch
Specifications
Absolute Maximum Ratings ⁽¹⁾

| Parameter | | Min | Max | Unit |
|------------------|---|------|----------------------|------|
| V _{CC} | Supply Voltage | -0.5 | 6 | V |
| V _{SD} | Analog Switch Voltage, V _S =Voltage of Ax, V _D =Voltage of D | -0.5 | V _{CC} +0.5 | V |
| I _{CC} | Analog Switch Current | -25 | +25 | mA |
| I _{CCI} | Digital Input Current, /E, S2, S1, S0 | -30 | +30 | mA |
| V _{DI} | Digital Input Voltage, /E, S2, S1, S0 | GND | V _{CC} +0.5 | V |
| I _{GND} | Continuous Current through GND | -100 | +100 | mA |
| I _{OK} | Current per input into source or drain pins when signal voltage exceeds recommended operating voltage | -50 | 0 | mA |
| P _{tot} | Total Power Dissipation | | 500 | mW |
| T _C | Maximum Junction Temperature | | 150 | °C |
| T _S | Storage Temperature Range | -65 | 150 | °C |
| T _L | Lead Temperature (Soldering, 10 sec) | | 260 | °C |

(1) Stresses beyond those listed under Absolute Maximum Ratings may cause permanent damage to the device. Exposure to any Absolute Maximum Rating condition for extended periods may affect device reliability and lifetime.

ESD, Electrostatic Discharge Protection

| Symbol | Parameter | Condition | Minimum Level | Unit |
|--------|--------------------------|--|---------------|------|
| HBM | Human Body Model ESD | ANSI/ESDA/JEDEC JS-001 ⁽¹⁾ | ±2 | kV |
| CDM | Charged Device Model ESD | ANSI/ESDA/JEDEC JS-002 ⁽²⁾ | ±1 | kV |
| LU | Latch up | LU, per JESD78, All Pin ⁽³⁾ | ±100 | mA |

(1) JEDEC document JEP155 states that 500-V HBM allows safe manufacturing with a standard ESD control process.

(2) JEDEC document JEP157 states that 250-V CDM allows safe manufacturing with a standard ESD control process.

(3) Test at the temperature of 25°C.

Recommended Operating Conditions ⁽¹⁾

| Parameter | | Min | Max | Unit |
|----------------------------------|--|------|-----------------|------|
| V _{CC} | Supply Voltage, V _{CC} | 1.65 | 5.5 | V |
| V _S or V _D | Analog Switch Voltage, V _S = Voltage of Ax, V _D = Voltage of D | 0 | V _{CC} | |
| V _I | Select Input Voltage | 0 | V _{CC} | V |
| T _{R/F} | Input Transition Rise and Fall Rate | | 100 | ns/V |
| V _{IO} | Switch I/O Port Voltage | 0 | V _{CC} | V |
| T _A | Operating Temperature Range | -40 | 125 | °C |

(1) Input select must be held HIGH or LOW and it shouldn't float.

Automotive Grade 5-V General Purpose Analog Switch**Thermal Information**

| Package Type | θ_{JA} | θ_{JC} | Unit |
|--------------|---------------|---------------|------|
| TSSOP16 | 150 | 70 | °C/W |

Automotive Grade 5-V General Purpose Analog Switch
Electrical Characteristics

 All test conditions: $T_A = -40^{\circ}\text{C}$ to 125°C , unless otherwise noted.

| Parameter | | Test Conditions | VCC | Min | Typ | Max | Units |
|------------------------------------|--|--|-------|------|--------------------|--------------------|-------------|
| Analog Switch | | | | | | | |
| R _{ON} | On-state Switch Resistance | $V_S = 0\text{ V to }V_{CC}$ $I_{SD} = 0.5\text{ mA}$ | 1.8 V | | 650 | 2100 | Ω |
| | | | 2.5 V | | 230 ⁽¹⁾ | 900 ⁽¹⁾ | |
| | | | 3.3 V | | 120 | 370 | |
| | | | 5 V | | 75 ⁽¹⁾ | 270 ⁽¹⁾ | |
| ΔR_{ON} | On-state Switch Resistance Matching between Inputs | $V_S = V_{CC} / 2$ $I_{SD} = 0.5\text{ mA}$ | 1.8 V | | 10 | 45 | Ω |
| | | | 2.5 V | | 3 ⁽¹⁾ | 22 ⁽¹⁾ | |
| | | | 3.3 V | | 2 | 15 | |
| | | | 5 V | | 1 ⁽¹⁾ | 14 ⁽¹⁾ | |
| I _{S(OFF)} | Source off State Leakage Current | Switch Off $V_D = 0.8 \times V_{CC} / 0.2 \times V_{CC}$ $V_S = 0.2 \times V_{CC} / 0.8 \times V_{CC}$ | 1.8 V | -800 | ± 1 | 800 | nA |
| | | | 2.5 V | -800 | ± 1 | 800 | |
| | | | 3.3 V | -800 | ± 1 | 800 | |
| | | | 5 V | -800 | ± 1 | 800 | |
| I _{D(OFF)} | Drain off-State Leakage Current (Common Drain Pin) | Switch Off $V_D = 0.8 \times V_{CC} / 0.2 \times V_{CC}$ $V_S = 0.2 \times V_{CC} / 0.8 \times V_{CC}$ | 1.8 V | -800 | ± 1 | 800 | nA |
| | | | 2.5 V | -800 | ± 1 | 800 | |
| | | | 3.3 V | -800 | ± 1 | 800 | |
| | | | 5 V | -800 | ± 1 | 800 | |
| I _{D(ON)} | Channel Onstate | Switch On | 1.8 V | -800 | ± 1 | 800 | nA |
| I _{S(ON)} | Leakage Current | $V_D = V_S = 0.8 \times V_{CC}$ or $V_D = V_S = 0.2 \times V_{CC}$ | 2.5 V | -800 | ± 1 | 800 | |
| | | | 3.3 V | -800 | ± 1 | 800 | |
| | | | 5 V | -800 | ± 1 | 800 | |
| C _{S(OFF)} ⁽¹⁾ | Source off Capacitance ⁽¹⁾ | $V_S = V_{CC} / 2$ $f = 1\text{ MHz}$ | 1.8 V | | 4.5 | 14 | pF |
| | | | 2.5 V | | 4.5 | 14 | |
| | | | 3.3 V | | 4 | 14 | |
| | | | 5 V | | 5 | 14 | |
| C _{D(OFF)} ⁽¹⁾ | Drain off Capacitance ⁽¹⁾ | $V_S = V_{CC} / 2$ $f = 1\text{ MHz}$ | 1.8 V | | 15 | 37 | pF |
| | | | 2.5 V | | 15 | 37 | |
| | | | 3.3 V | | 14 | 37 | |
| | | | 5 V | | 14 | 37 | |
| C _{S(ON)} ⁽¹⁾ | On Capacitance ⁽¹⁾ | $V_S = V_{CC} / 2$ $f = 1\text{ MHz}$ | 1.8 V | | 20 | 40 | pF |
| C _{D(ON)} ⁽¹⁾ | | | 2.5 V | | 20 | 40 | |
| | | | 3.3 V | | 20 | 40 | |
| | | | 5 V | | 20 | 40 | |

(1) The data is based on bench test and design simulation.

Automotive Grade 5-V General Purpose Analog Switch
Electrical Characteristics (Continued)

All test conditions: $T_A = -40^{\circ}\text{C}$ to 125°C , unless otherwise noted.

| Parameter | | Test Conditions | VCC | Min | Typ | Max | Units |
|--------------------------------|--|---|-------|------|-----|------|-------|
| Power Supply | | | | | | | |
| I _{CC} | VCC Supply Current | Logic inputs = 0 V or V _{CC} | 1.8 V | | | 1.2 | uA |
| | | | 2.5 V | | | 1.5 | |
| | | | 3.3 V | | | 2 | |
| | | | 5 V | | | 3 | |
| Logic Inputs | | | | | | | |
| V _{IH} | Input Logic High | | 1.8 V | 1.05 | | 5.5 | V |
| | | | 2.5 V | 1.12 | | 5.5 | |
| | | | 3.3 V | 1.18 | | 5.5 | |
| | | | 5V | 1.25 | | 5.5 | |
| V _{IL} | Input Logic Low | | 1.8V | 0 | | 0.6 | V |
| | | | 2.5 V | 0 | | 0.65 | |
| | | | 3.3 V | 0 | | 0.7 | |
| | | | 5 V | 0 | | 0.75 | |
| I _{IH} | Logic High Input Leakage Current | V _{LOGIC} = 1.8 V or V _{CC} | all | | | 1 | uA |
| I _{IL} | Logic Low Input Leakage Current | V _{LOGIC} = 0 V | all | -1 | | | uA |
| C _{IN} ⁽¹⁾ | Logic Input Capacitance ⁽¹⁾ | V _{LOGIC} = 0 V, 1.8 V, V _{CC} f = 1 MHz | all | | 2 | | pF |

(1) Typ data is based on bench test and design simulation.

Automotive Grade 5-V General Purpose Analog Switch
Electrical Characteristics (Continued)

 All test conditions: $T_A = -40^{\circ}\text{C}$ to 125°C , unless otherwise noted.

| Parameter | | Test Conditions | VCC | Min | Typ | Max | Units |
|---|---------------------------------|---|-------|-----|------|-----|-------|
| Dynamic Characteristics | | | | | | | |
| $Q_{\text{INJ}}^{(1)}$ | Charge Injection ⁽¹⁾ | $V_S = V_{CC} / 2$ $R_S = 0 \Omega$, $C_L = 100 \text{ pF}$ | 1.8 V | | 8 | | pC |
| | | | 2.5 V | | 8 | | |
| | | | 3.3 V | | 10 | | |
| | | | 5 V | | 15 | | |
| $O_{\text{ISO}}^{(1)}$ | OFF-Isolation ⁽¹⁾ | $V_{\text{BIAS}} = V_{CC} / 2$ $V_S = 200 \text{ mVpp}$ $R_L = 50 \Omega$, $C_L = 5 \text{ pF}$ $f = 100 \text{ kHz}$ | 1.8 V | | -110 | | dB |
| | | | 2.5 V | | -110 | | |
| | | | 3.3 V | | -110 | | |
| | | | 5 V | | -110 | | |
| $O_{\text{ISO}}^{(1)}$ | OFF-Isolation ⁽¹⁾ | $V_{\text{BIAS}} = V_{CC} / 2$ $V_S = 200 \text{ mVpp}$ $R_L = 50 \Omega$, $C_L = 5 \text{ pF}$ $f = 1 \text{ MHz}$ | 1.8 V | | -90 | | dB |
| | | | 2.5 V | | -90 | | |
| | | | 3.3 V | | -90 | | |
| | | | 5 V | | -90 | | |
| $X_{\text{TALK}}^{(1)}$ | Crosstalk ⁽¹⁾ | $V_{\text{BIAS}} = V_{CC} / 2$ $V_S = 200 \text{ mVpp}$ $R_L = 50 \Omega$, $C_L = 5 \text{ pF}$ $f = 100 \text{ kHz}$ | 1.8 V | | -110 | | dB |
| | | | 2.5 V | | -110 | | |
| | | | 3.3 V | | -110 | | |
| | | | 5 V | | -110 | | |
| $X_{\text{TALK}}^{(1)}$ | Crosstalk ⁽¹⁾ | $V_{\text{BIAS}} = V_{CC} / 2$ $V_S = 200 \text{ mVpp}$ $R_L = 50 \Omega$, $C_L = 5 \text{ pF}$ $f = 1 \text{ MHz}$ | 1.8 V | | -90 | | dB |
| | | | 2.5 V | | -90 | | |
| | | | 3.3 V | | -90 | | |
| | | | 5 V | | -90 | | |
| $\text{BW}^{(1)}$ | Bandwidth ⁽¹⁾ | $V_{\text{BIAS}} = V_{CC} / 2$ $V_S = 200 \text{ mVpp}$ $R_L = 50 \Omega$, $C_L = 5 \text{ pF}$ | 1.8 V | | 250 | | MHZ |
| | | | 2.5 V | | 250 | | |
| | | | 3.3 V | | 250 | | |
| | | | 5 V | | 250 | | |
| Switching Characteristics (Timing Characteristics) | | | | | | | |
| t_{PD} | Propagation Delay | $C_L = 50 \text{ pF}$ Sx to D, D to Sx | 1.8 V | | 15 | 30 | ns |
| | | | 2.5 V | | 8 | 20 | |
| | | | 3.3 V | | 5 | 15 | |
| | | | 5 V | | 4 | 10 | |
| | | $C_L = 15 \text{ pF}^{(1)}$ | 5 V | | 1.5 | 5 | |
| t_{TRAN} | Transition-time between Inputs | $R_L = 10 \text{ k}\Omega$, $C_L = 50 \text{ pF}$ Ax to D, Ax to Sx | 1.8 V | | 44 | 103 | ns |
| | | | 2.5 V | | 30 | 67 | |
| | | $R_L = 10 \text{ k}\Omega$, $C_L = 50 \text{ pF}$ | 3.3 V | | 23 | 54 | |

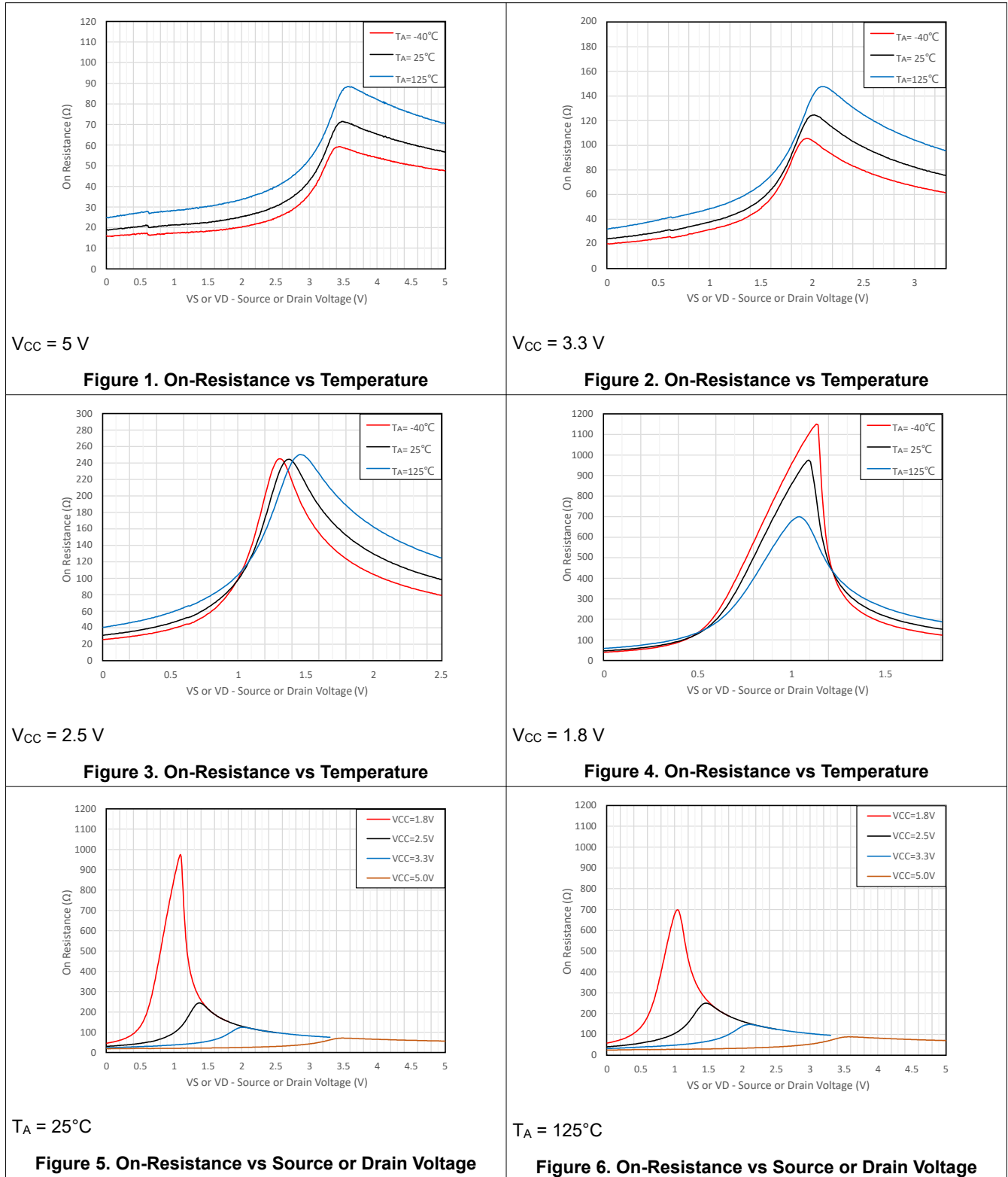
Automotive Grade 5-V General Purpose Analog Switch

| Parameter | | Test Conditions | VCC | Min | Typ | Max | Units |
|---------------------------------|---------------------------------------|---|-------|-----|-----|-----|-------|
| | Transition-time between Inputs | Ax to D, Ax to Sx | 5 V | | 18 | 46 | |
| | | R _L = 10 kΩ, C _L = 15 pF ⁽¹⁾ | 5 V | | 15 | 43 | |
| t _{ON(EN)} | Turnon-time from Enable | R _L = 10 kΩ, C _L = 50 pF EN to D, EN to Sx | 1.8 V | | 39 | 75 | ns |
| | | | 2.5 V | | 30 | 50 | |
| | | | 3.3 V | | 26 | 42 | |
| | | | 5 V | | 24 | 37 | |
| | | R _L = 10 kΩ, C _L = 15 pF ⁽¹⁾ | 5 V | | 22 | 35 | |
| t _{OFF(EN)} | Turnoff Time from Enable | R _L = 10 kΩ, C _L = 50 pF EN to D, EN to Sx | 1.8 V | | 58 | 85 | ns |
| | | | 2.5 V | | 21 | 72 | |
| | | | 3.3 V | | 15 | 70 | |
| | | | 5 V | | 11 | 45 | |
| | | R _L = 10 kΩ, C _L = 15 pF ⁽¹⁾ | 5 | | 8 | 20 | |
| t _{BBM} ⁽¹⁾ | Break before make time ⁽¹⁾ | R _L = 10 kΩ, C _L = 15 pF Sx to D, D to Sx | 1.8 V | 1 | 16 | | ns |
| | | | 2.5 V | 1 | 22 | | |
| | | | 3.3 V | 1 | 24 | | |
| | | | 5 V | 1 | 33 | | |

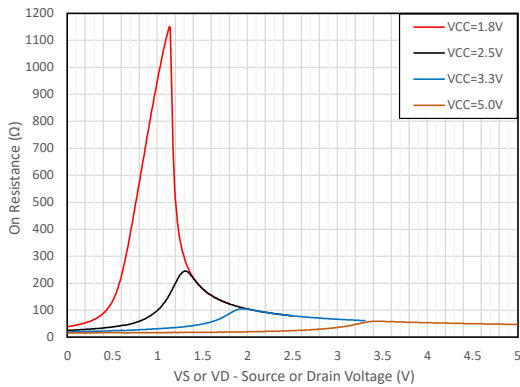
(1) The data is based on bench test and design simulation.

Typical Performance Characteristics

All test conditions: $T_A = 25^\circ\text{C}$, $V_{CC} = 5\text{ V}$, unless otherwise noted.

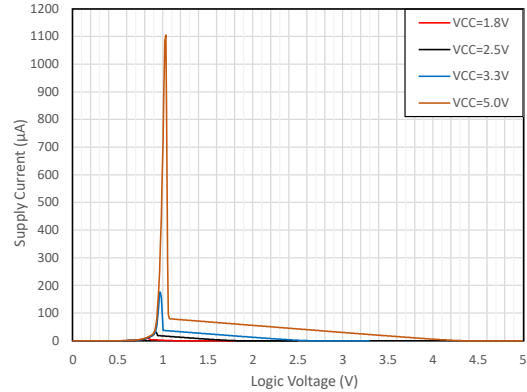


Automotive Grade 5-V General Purpose Analog Switch



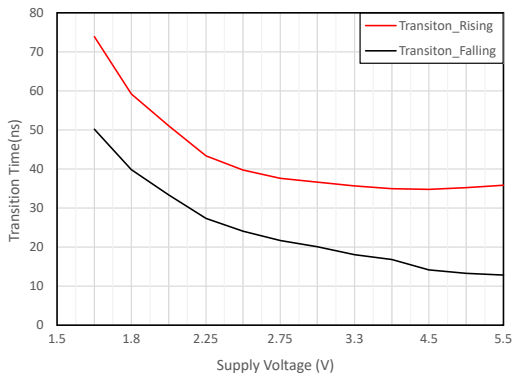
T_A = -45°C

Figure 7. On-Resistance vs Source or Drain Voltage



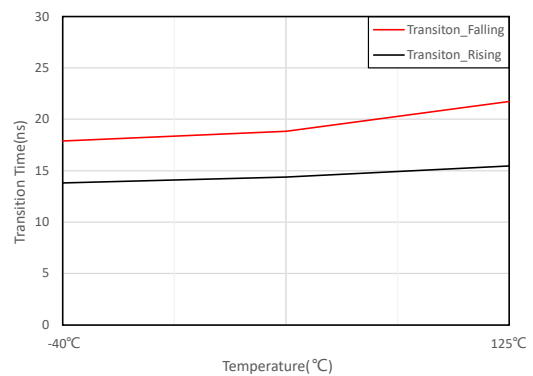
T_A = 25°C

Figure 8. Supply Current vs Logic Voltage



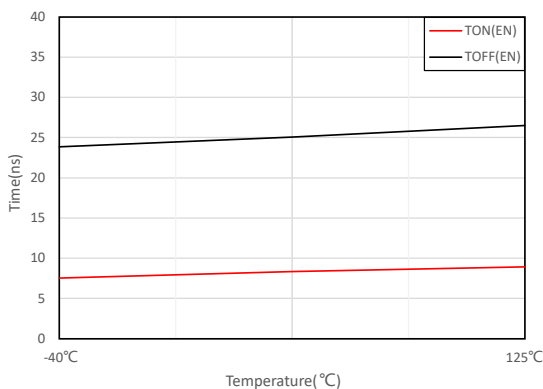
T_A = 25°C

Figure 9. T_{TRANSITION} vs Supply Voltage



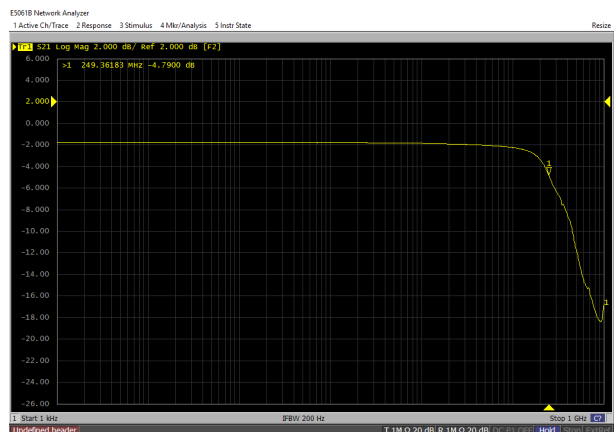
VCC = 5 V

Figure 10. T_{TRANSITION} vs Temperature



VCC = 5 V

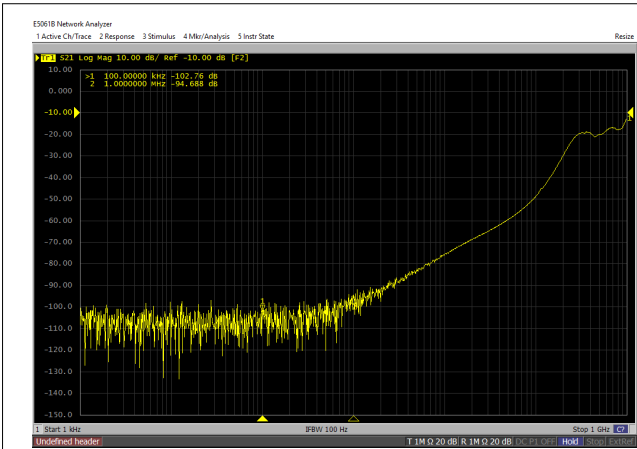
Figure 11. T_{ON(EN)} and T_{OFF(EN)} vs Temperature



T_A = 25°C; VCC = 5 V

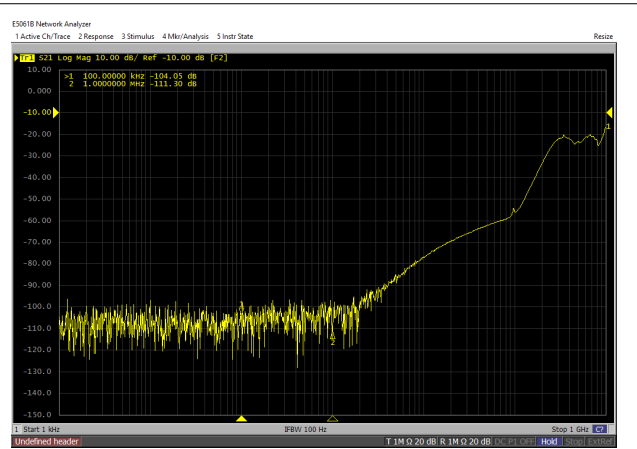
Figure 12. On Response vs Frequency

Automotive Grade 5-V General Purpose Analog Switch



T_A = 25°C; VCC = 5 V

Figure 13. Xtalks vs Frequency



T_A = 25°C; VCC = 5 V

Figure 14. Off-Isolation vs Frequency

Automotive Grade 5-V General Purpose Analog Switch

Test Circuits and Waveforms

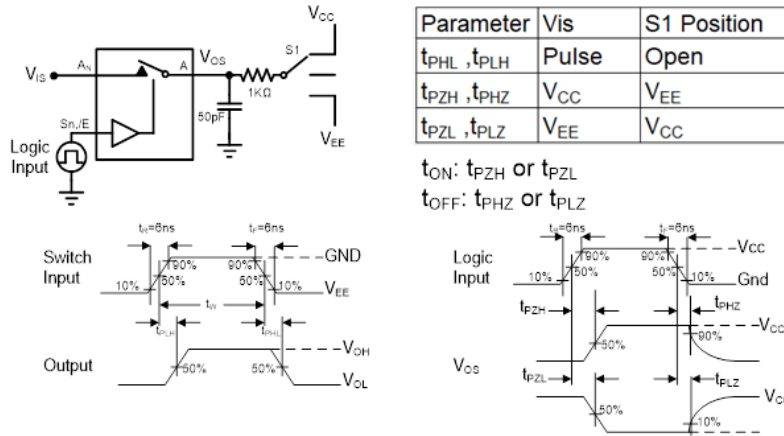


Figure 15. AC Test Circuit and Test Waveforms

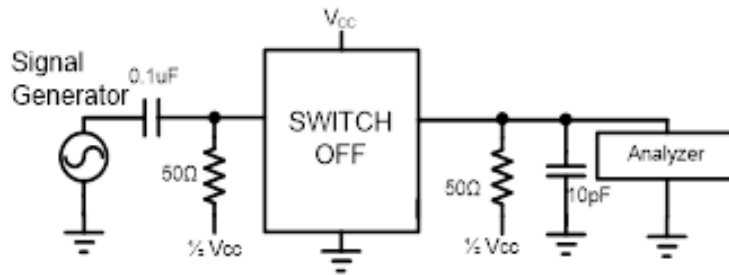


Figure 16. Off Isolation

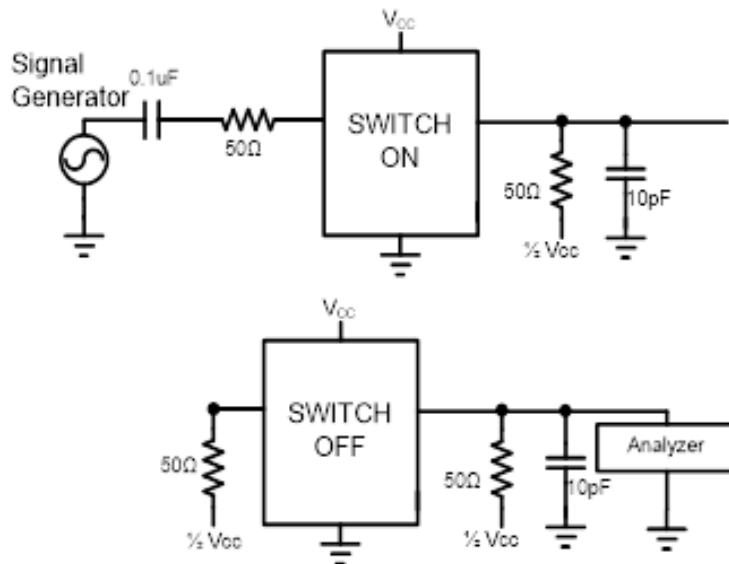


Figure 17. Crosstalk

Detailed Description

Overview

The TPW3188Q is a single-pole octal-throw analog switch (SP8T) suitable for analog or digital 8:1 multiplexer/demultiplexer applications. The switch features three digital select inputs (S0, S1, and S2), eight independent inputs/outputs (An), a common input/output (A), and a digital enable input (/E). When /E is HIGH, the switches are turned off.

Functional Block Diagram

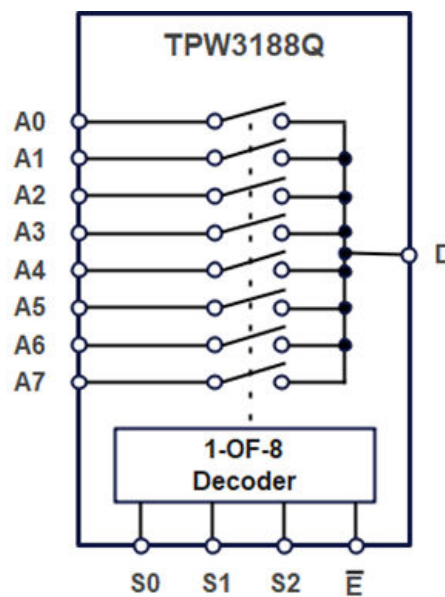


Figure 18. Functional Block Diagram

Feature Description

The TPW3188Q is the automotive analog switch qualified as AEC Q100 - automotive grade 1. The VCC voltage range is 1.8 V, 2.5 V, 3.3 V, and 5 V. The Ron resistance is very low, such as typical 75 Ω at Vs = 5 V, typical 120 Ω at Vs = 3.3 V, typical 650 Ω at Vs = 1.8 V. The TPW3188Q bandwidth is 250 MHz, it will be in break state before the switch operation. The switching time is very fast, which is 22 ns in the ON state, and 8 ns in the OFF time. The TPW3188Q is available in the TSSOP16 package and is characterized from -40°C to $+125^{\circ}\text{C}$.

Application and Implementation

Note

Information in the following application sections is not part of the 3PEAK's component specification and 3PEAK does not warrant its accuracy or completeness. 3PEAK's customers are responsible for determining suitability of components for their purposes. Customers should validate and test their design implementation to confirm system functionality.

Application Information

The TPW3188Q line of multiplexers and demultiplexers can be used for a wide variety of applications.

A 0.1- μ F bypass capacitor on V_{CC} is recommended to prevent power disturbance.

The current per input into source or drain pin when input signal voltage exceeds V_{CC}

As the input signal voltage is higher than the V_{CC} voltage, the current per input into source or drain will be very large and close to 50 mA, which may damage the device. Therefore, the input signal is not recommended to exceed V_{CC} .

Input signal voltage should be less than $V_{CC} + 0.5$ V

The TPW3188Q has an internal ESD diode to the GND pin, which will be around 20 mA as the diode is turned on. The input signal voltage should NOT be lower than GND-0.5V. A series of resistor is suggested to be added to limit the current. The device requires the input signal voltage be less than $V_{CC} + 0.5$ V. Otherwise, the current will increase in exponential magnitude as the input signal voltage raises higher than $V_{CC} + 0.5$ V. Thus, the function cannot be guaranteed in the application and the device may be damaged.

In some special cases, if the input signal voltage is over than V_{CC} as the channel is in OFF status, the voltage will be clamped to $V_{CC} + 0.7$ V approximately. The input current may be as large as tens of mA and will introduce coupling to other channels, so the device is not recommended in this case.

Typical Application

One application of the TPT3188Q device is used in conjunction with a microcontroller to poll a keypad. [Figure 19](#) shows the basic schematic for such a polling system.

The microcontroller uses channel-select pins to cycle through different channels while reading the input to see if a user is pressing any of the keys. This is a very robust setup that allows for simultaneous key presses with very little power consumption. It also uses very few pins on the microcontroller. The down side of polling is that the microcontroller must frequently scan the keys for a press.

Automotive Grade 5-V General Purpose Analog Switch

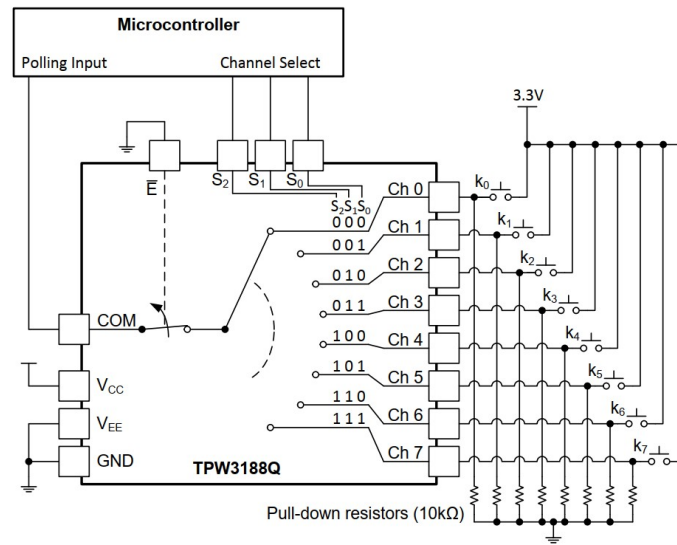


Figure 19. Typical Application Circuit

Layout

Layout Example

Reflections and matching are closely related to loop antenna theory, but different enough to warrant their own discussion. When a PCB trace turns a corner at a 90° angle, a reflection can occur. This is primarily due to the change in width of the trace. At the apex of the turn, the trace width is increased to 1.414 times its width. This change in width upsets the transmission line characteristics, especially the distributed capacitance and self-inductance of the trace, thus resulting in the reflection. Not all PCB traces can be straight, so they will have to turn corners. Figure 20 shows progressively better techniques of rounding corners. Only the last example (BEST) maintains constant trace width and minimizes reflections.

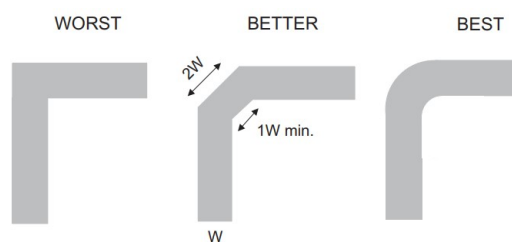


Figure 20. Trace Example

Route high-speed signals using a minimum of vias and corners which reduces signal reflections and impedance changes. When a via must be used, increase the clearance size around it to minimize its capacitance. Each via introduces discontinuities in the signal's transmission line and increases the chance of picking up interference from the other layers of the board. Be careful when designing test points, through-hole pins are not recommended at high frequencies.

Figure 21 illustrates an example of a PCB layout with the TPW3188Q. Some key considerations are:

- Decouple the VDD pin with a 0.1- μ F capacitor, placed as close to the pin as possible. Make sure that the capacitor voltage rating is sufficient for the VDD supply.
- Decouple the VDD pin with a 0.1- μ F capacitor, placed as close to the pin as possible. Make sure that the capacitor voltage rating is sufficient for the VDD supply.
- Keep the input lines as short as possible.
- Use a solid ground plane to help reduce electromagnetic interference (EMI) noise pickup.
- Do not run sensitive analog traces in parallel with digital traces. Avoid crossing digital and analog traces if possible, and only make perpendicular crossings when necessary.

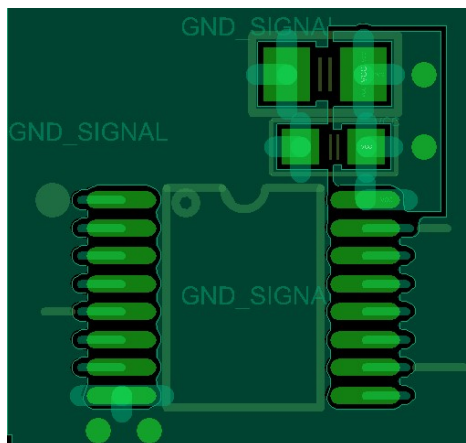
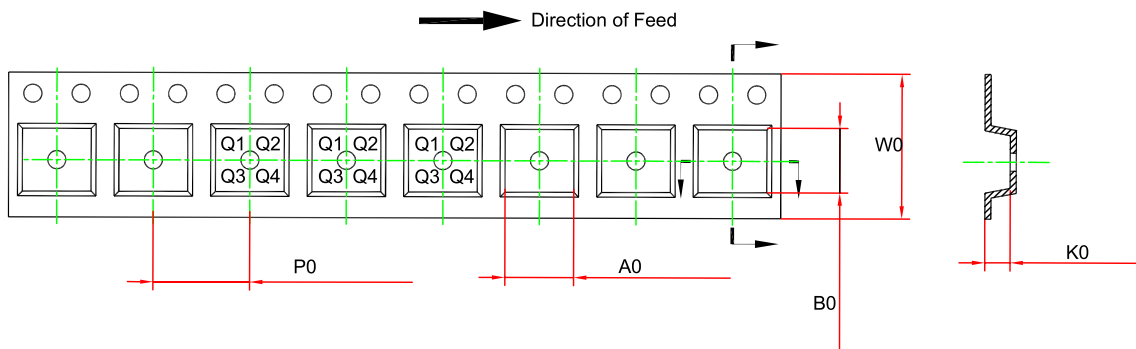
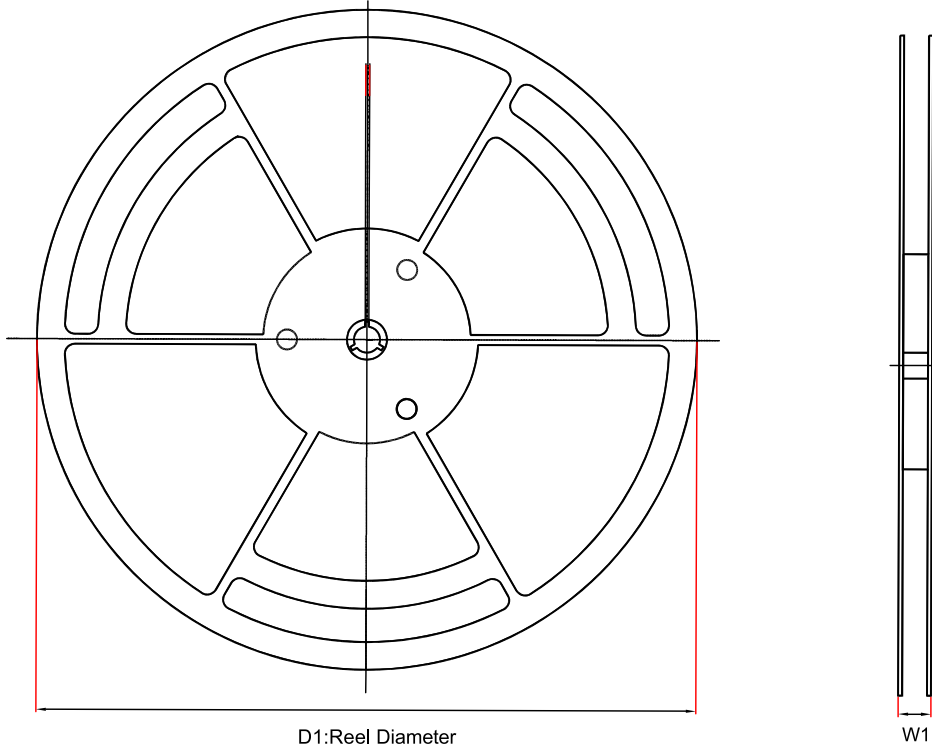


Figure 21. TPW3188Q Layout Example

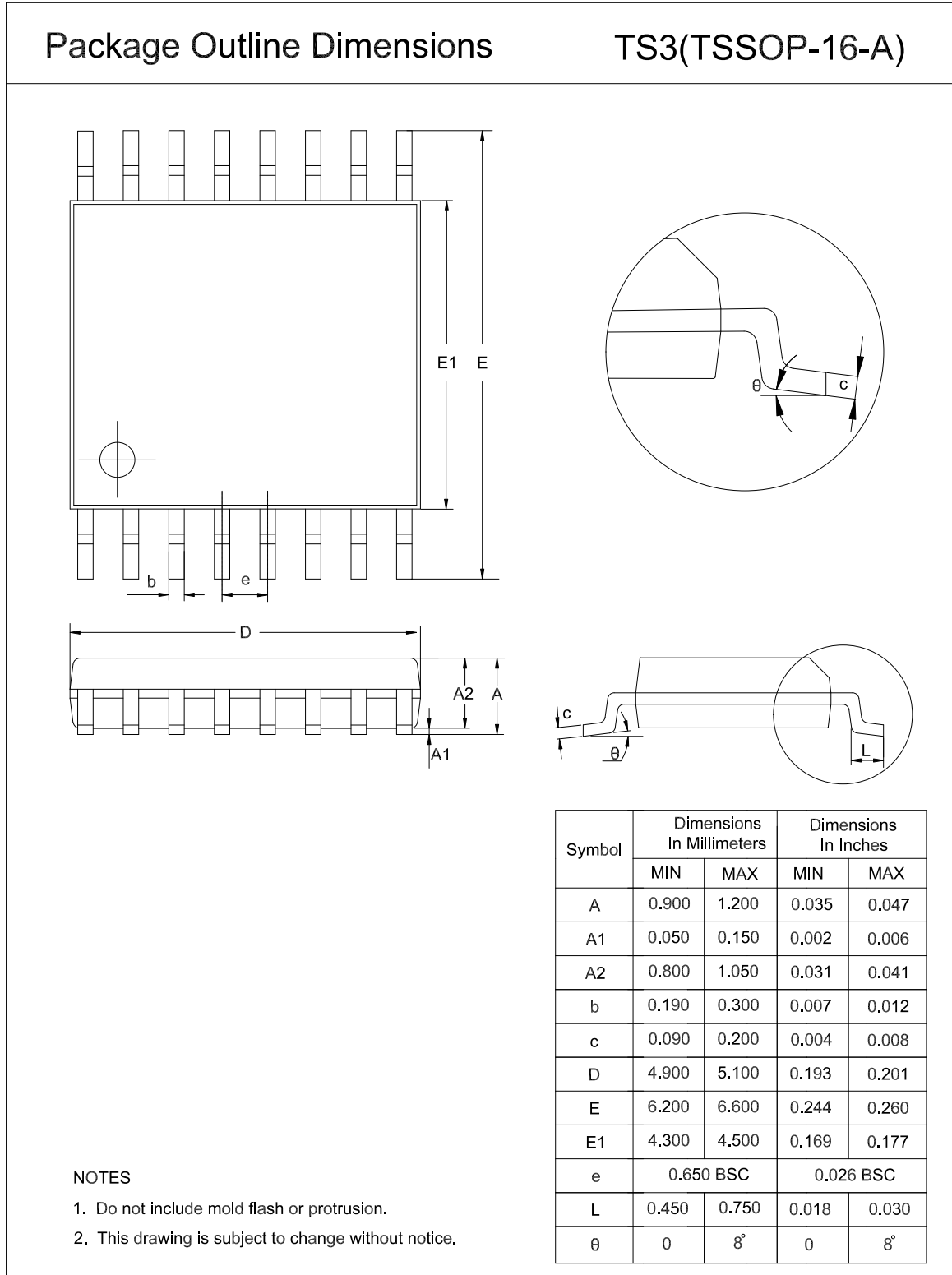
Tape and Reel Information



| Order Number | Package | D1 (mm) | W1 (mm) | A0 (mm) | B0 (mm) | K0 (mm) | P0 (mm) | W0 (mm) | Pin1 Quadrant |
|-----------------|----------|---------|---------|---------|---------|---------|---------|---------|---------------|
| TPW3188Q-TS3R-S | TSSOP-16 | 330.0 | 6.8 | 1.2 | 12.0 | 17.6 | 5.4 | 8.0 | Q1 |

Package Outline Dimensions

TSSOP16



Order Information

| Order Number | Operating Temperature Range | Package | Marking Information | MSL | Transport Media, Quantity | Eco Plan |
|-----------------|-----------------------------|---------|---------------------|------|---------------------------|----------|
| TPW3188Q-TS3R-S | -40 to 125°C | TSSOP16 | 3188Q | MSL1 | Tape and Reel, 3000 | Green |

(1) MSL will be updated depending on the qualification report.

Green: 3PEAK defines "Green" to mean RoHS compatible and free of halogen substances.

IMPORTANT NOTICE AND DISCLAIMER

Copyright© 3PEAK 2012-2023. All rights reserved.

Trademarks. Any of the 思瑞浦 or 3PEAK trade names, trademarks, graphic marks, and domain names contained in this document /material are the property of 3PEAK. You may NOT reproduce, modify, publish, transmit or distribute any Trademark without the prior written consent of 3PEAK.

Performance Information. Performance tests or performance range contained in this document/material are either results of design simulation or actual tests conducted under designated testing environment. Any variation in testing environment or simulation environment, including but not limited to testing method, testing process or testing temperature, may affect actual performance of the product.

Disclaimer. 3PEAK provides technical and reliability data (including data sheets), design resources (including reference designs), application or other design recommendations, networking tools, security information and other resources "As Is". 3PEAK makes no warranty as to the absence of defects, and makes no warranties of any kind, express or implied, including without limitation, implied warranties as to merchantability, fitness for a particular purpose or non-infringement of any third-party's intellectual property rights. Unless otherwise specified in writing, products supplied by 3PEAK are not designed to be used in any life-threatening scenarios, including critical medical applications, automotive safety-critical systems, aviation, aerospace, or any situations where failure could result in bodily harm, loss of life, or significant property damage. 3PEAK disclaims all liability for any such unauthorized use.

This page intentionally left blank