



TAI-SAW TECHNOLOGY CO., LTD.

No. 3, Industrial 2nd Rd., Ping-Chen Industrial District,
Taoyuan, 324, Taiwan, R.O.C.

TEL: 886-3-4690038 FAX: 886-3-4697532

E-mail: tstsales@mail.taisaw.com Web: www.taisaw.com

Product Specifications Approval Sheet

Product Description: Crystal Oscillator SMD 5.0x3.2 500MHz

TST Part No.: TW0704VA6225

Customer Part No.: _____

Customer signature required
Company: _____
Division: _____
Approved by : _____
Date: _____

Checked by: _____ Yifan Chen *Yifan*

Approved by: _____ Kelly Huang *Kelly Huang*

Date: _____ 01/07/2023

1. Customer signed back is required before TST can proceed with sample build and receive orders.
2. Orders received without customer signed back will be regarded as agreement on the specifications.
3. Any specifications changes must be approved upon by both parties and a new revision of specifications shall be released to reflect the changes.



TAI-SAW TECHNOLOGY CO., LTD.
SMD 5.0x3.2 500MHz Crystal Oscillator

MODEL NO.: TW0704VA6225

REV. NO.: 1.0

Revise:

Rev.	Rev. Page	Rev. Account	Date	Ref. No.	Reviser
1	N/A	Initial release	01/07/23'	N/A	Yifan Chen



TAI-SAW TECHNOLOGY CO., LTD.

No. 3, Industrial 2nd Rd., Ping-Chen Industrial District,
Taoyuan, 324, Taiwan, R.O.C.

TEL: 886-3-4690038 FAX: 886-3-4697532

E-mail: tstsales@mail.taisaw.com Web: www.taisaw.com

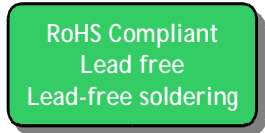
SMD 5.0x3.2 500MHz Crystal Oscillator

MODEL NO.: TW0704VA6225

REV. NO: 1.0

Features:

- Surface Mount Seam Weld Package
- Excellent Reliability Performance
- Good Frequency Perturbation and Stability over temperature
- Moisture Sensitivity Level (MSL) : Level-1



Application:

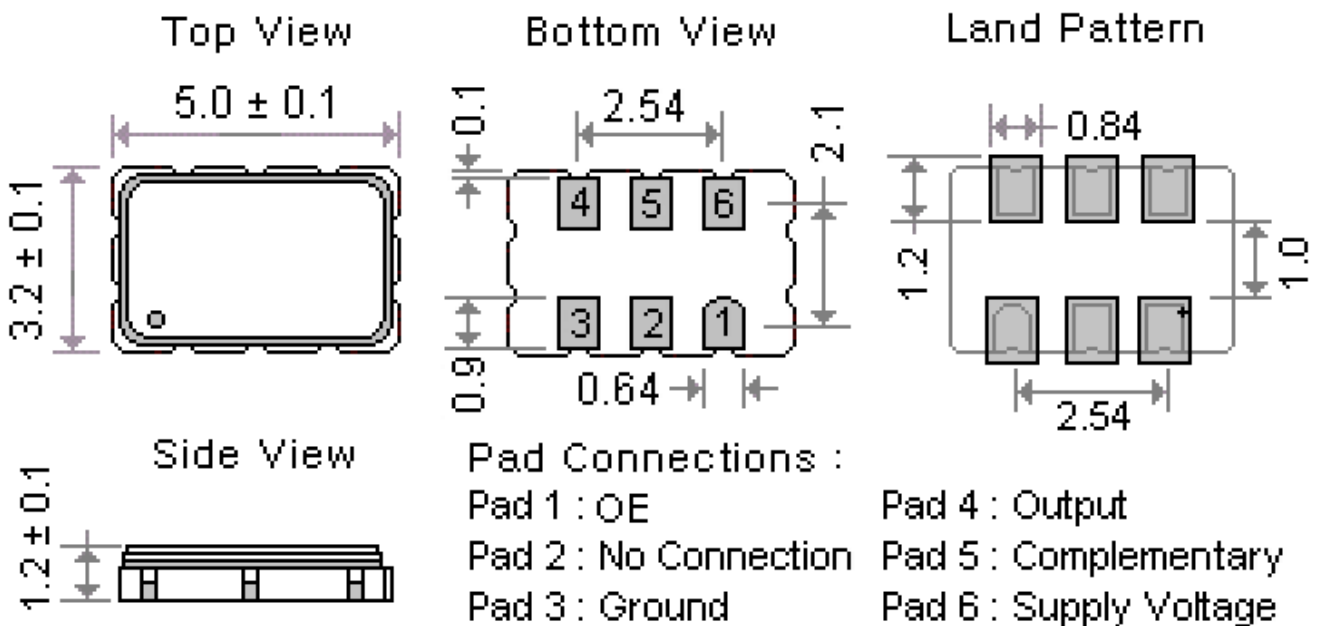
- Supply Voltage PECL Output
- Option-able stand-by function for output .

Electrical Characteristics:

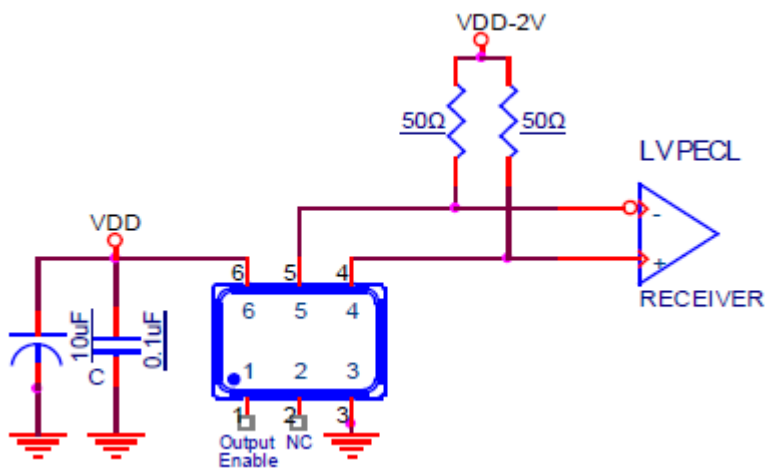
	Parameters	SYM.	Electrical Spec.				Notes
			Min.	Typical	Max.	Unit	
1	Nominal Frequency	FL	500.000000			MHz	
2	Holder Type		-				5.0 * 3.2 * 1.2 mm , 6pads , SMD Type
3	Input Voltage	VDD		3.3		V	D.C. ± 10 %
4	Output Wave Form						PECL Differential output
5	Output Voltage High " 1 "	Voh	2.27		2.70	V	VDD - 1.03 (min.) , VDD - 0.6 (max.)
6	Output Voltage Low " 0 "	VoL	1.45		1.70	V	VDD - 1.85 (min.) , VDD - 1.6 (max.)
7	Frequency Stability	$\Delta f / f_0$	-25		25	ppm	Over Operating Temperature
8	Current with output	Iop		16		mA	
9	Current Consumption	Iop			78	mA	measured with terminating resistors
10	Rise Time & Fall Time	Tr , Tf		0.2	0.5	n Sec.	20% ↔ 80 % of waveform
11	Duty Cycle	tw / t	45		55	%	at 50 % waveform
12	Star -up Time	ST			10	m Sec.	
13	Load	RL		50		Ω	50 Ω into Vcc - 2V or Thevenin equivalent
14	Operating Temperature	Topr	-40		85	°C	
15	Storage Temperature	Tstg	-55		150	°C	
16	Aging	fa	-2		2	ppm	first year

17	Integrated Phase Jitter	Jrms		1.0		pS	12 KHz to 20 MHz integrated	
18	Phase Noise (dBc / Hz) [typical] For reference only	10 Hz	100 Hz	1k Hz	10k Hz	100K Hz	1M Hz	10M Hz
		-55	-85	-109	-116	-118	-139	-146
19	OE Control on Pad 1	If VDD * 70% (min.) is applied : Output. Enable Oscillation enable time : 200 n sec. (max.)						
		If VDD * 30% (max.) is applied : Output Disable Oscillation disable time : 50 n sec. (max.)						

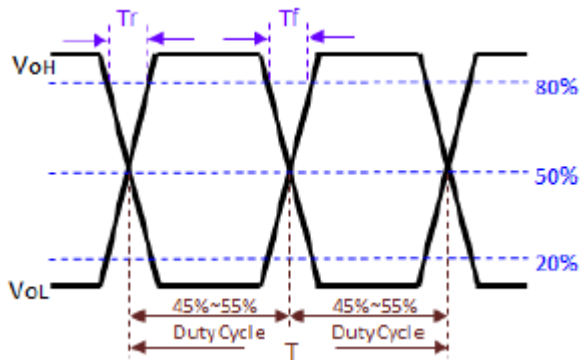
Mechanical Dimensions: (Unit: mm)



Test Circuit:



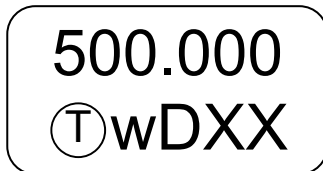
Output Waveform :



Marking :

Line 1 : Frequency (500.000)

Line 2 : $\text{\textcircled{T}}$ WDXX (TST Logo + Product Code + Date Code + Internal Traceability Code (XX) :
Can be 1 or 2 letters)



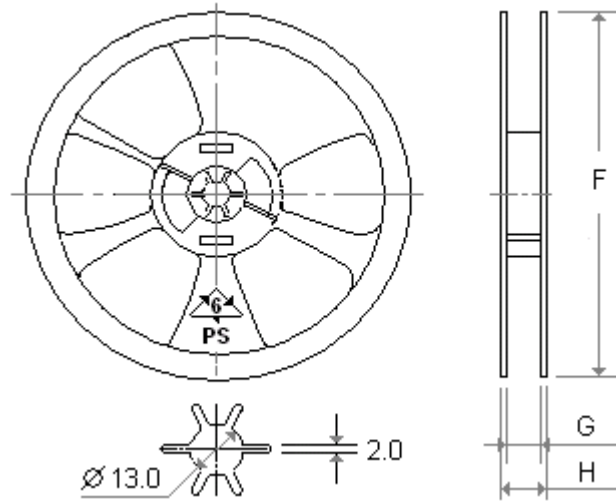
Product Code Table

Year	2021	2022	2023	2024
	2025	2026	2027	2028
	2029	2030	2031	2032
Product code	W	w	<u>W</u>	<u>w</u>

Date Code Table

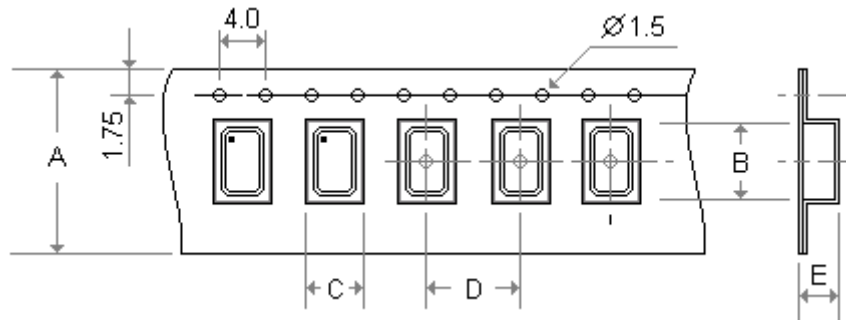
WK01	WK02	WK03	WK04	WK05	WK06	WK07	WK08	WK09	WK10	WK11	WK12	WK13
A	B	C	D	E	F	G	H	I	J	K	L	M
WK14	WK15	WK16	WK17	WK18	WK19	WK20	WK21	WK22	WK23	WK24	WK25	WK26
N	O	P	Q	R	S	T	U	V	W	X	Y	Z
WK27	WK28	WK29	WK30	WK31	WK32	WK33	WK34	WK35	WK36	WK37	WK38	WK39
a	b	c	d	e	f	g	h	i	j	k	l	m
WK40	WK41	WK42	WK43	WK44	WK45	WK46	WK47	WK48	WK49	WK50	WK51	WK52
n	o	p	q	r	s	t	u	v	w	x	y	z

Reel Dimensions (mm):



A	B	C	D	E
16.0	7.2	5.4	8.0	1.8

Tape Dimensions (mm):

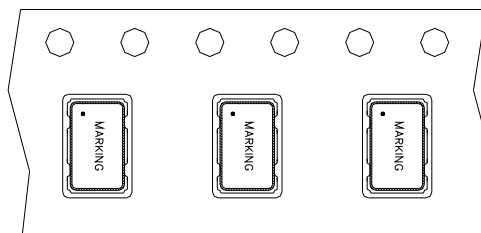


F	G	H
180	17.2	19.3

[NOTE]:

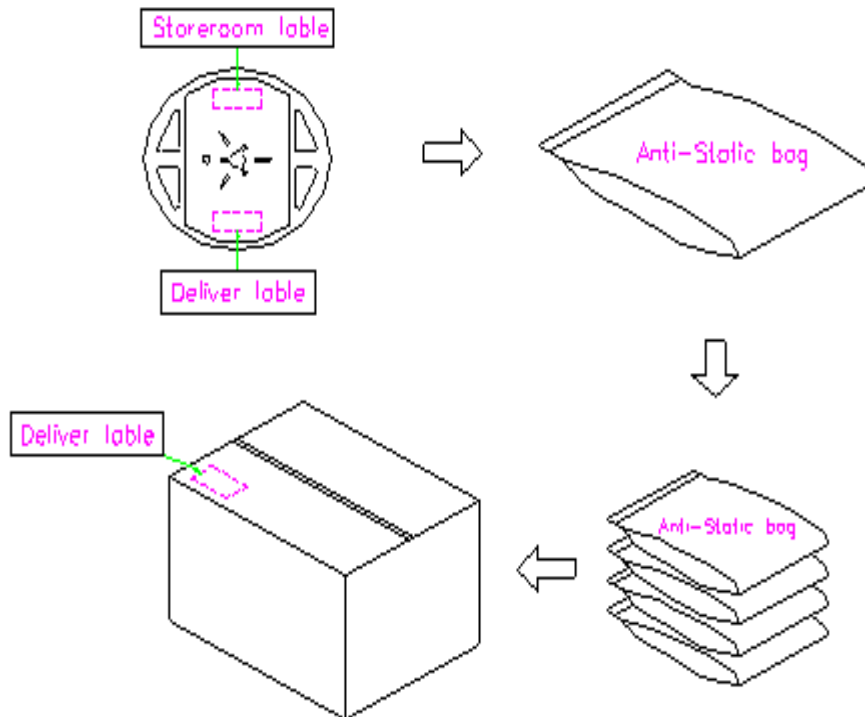
1. Unless otherwise specified tolerance on dimension +/-0.1 mm.
2. Material: conductive polystyrene with color black.
3. 10 pitch cumulative tolerance +/-0.2 mm.

PACKING DIRECTION:

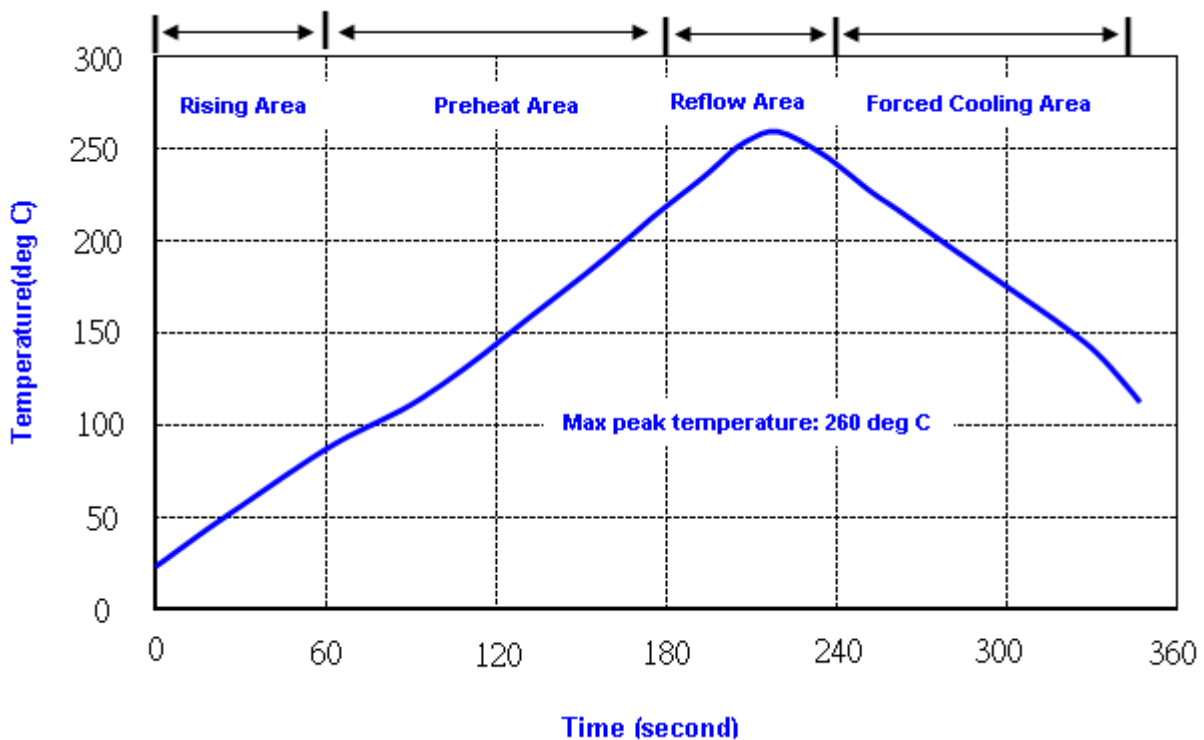


Packing Quantity/Packing:

1K pcs maximum per reel



Reflow Profile:



Note: 1. Max peak temperature: 260+/-5 deg C; Time: 10+/-2 sec
2. Temperature: 217+/-5 deg C; Time: 90~100 sec

Reliability Specifications

Test name	Test process / method	Reference standard
Mechanical characteristics		
resistance to Soldering heat (IR reflow)	Temp/ Duration : 265°C /10sec ×2 times Total time : 4min.(IR-reflow)	EIAJED-4701 -300(301)M(II)
Vibration	Total peak amplitude : 1.5mm Vibration frequency : 10 to 2000 Hz Sweep period : 20 minute Vibration directions : 3 mutually perpendicular Duration : 2 hr / direc.	MIL-STD 202G method 204
Mechanical Shock	directions : 3 impacts per axis Acceleration : 3000g's, +20/-0 % Duration : 0.3 ms (total 18 shocks) Waveform : Half-sine	MIL-STD 202G method 213
Solderability	Solder Temperature:265±5°C Duration time: 5±0.5 seconds.	J-STD-002
Environmental characteristics		
Thermal Shock	Heat cycle conditions -40 °C (30min) ↔ 85 °C (30min) * cycle time : 10 times	MIL-STD 883G method 1010.8
Humidity test	Temperature : 85 ± 2 °C Relative humidity : 85% Duration : 96 hours	MIL-STD 202G method 103
Dry heat (Aging test)	Temperature : 125 ± 2 °C Duration : 168 hours	MIL-STD 202G method 108A
Cold resistance (Low Temp Storage)	Temperature : -40 ± 2 °C Duration : 96 hours	IEC 60068-2-1