

Specifications

Material

Insulator: LCP, E130i, UL 94V-0, Black
 Contact: Copper Alloy, C18400-H, T=0.12mm
 Shell: Stainless steel, SUS304-1/2H, T=0.30mm
 Mid Plate: Stainless Steel, SUS301-3/4H, T=0.15mm

Plating

Terminal:
 Contact Area: See Ordering Grid
 Solder Tails: Gold Flash
 Underplating: 50µ" Min. Nickel Over All
 Shell: 30µ" Min. Nickel
 Mid Plate: Cleaning

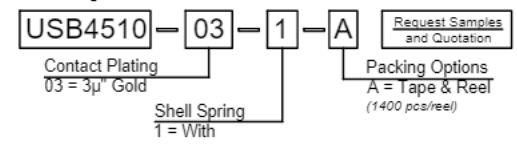
Electrical

Current Rating: 5.00A collectively for VBUS pins
 6.25A collectively for GND pins
 1.25A for A5/B5 pin
 0.25A per pin for all other pins
 Voltage Rating: 48V DC
 Power Rating: 240W
 Contact Resistance: 40mΩ max initial.
 50mΩ max after test
 Dielectric Withstanding Voltage: 100V AC
 Insulation Resistance 100MΩ min

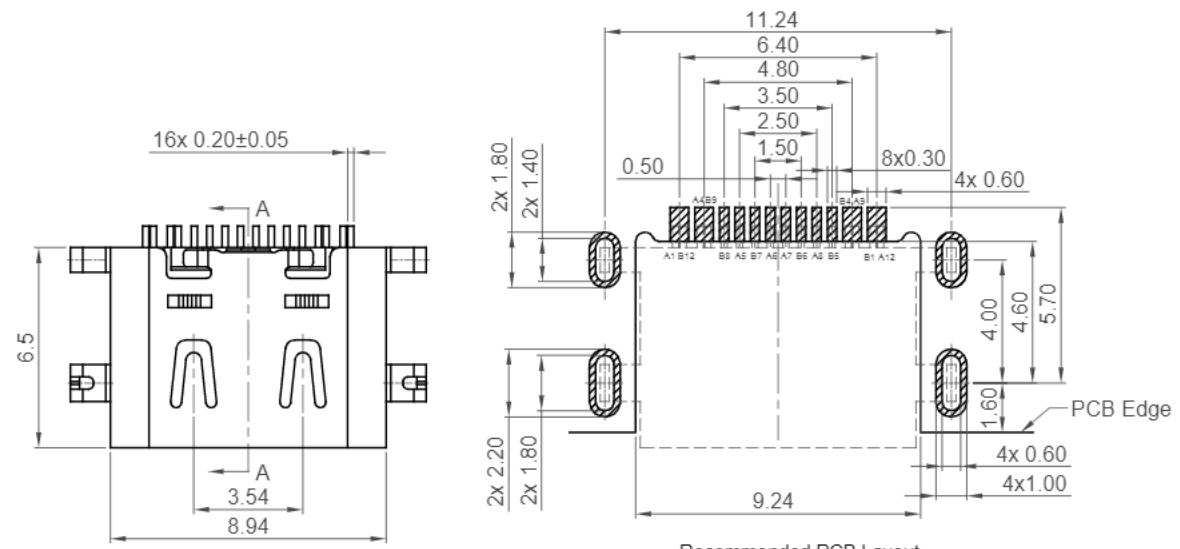
Mechanical & Environmental

Operating Temperature: -25°C to +85°C
 Mating Force: 5 to 20 N.
 Unmated Force: 6 to 20 N after test
 Durability: 10,000 cycles

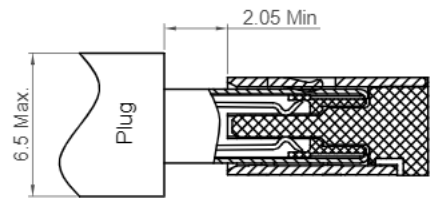
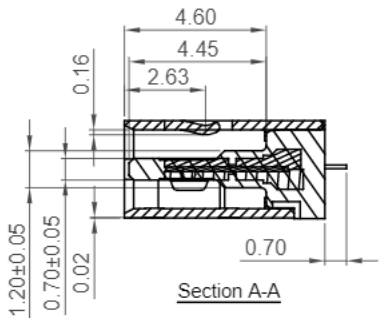
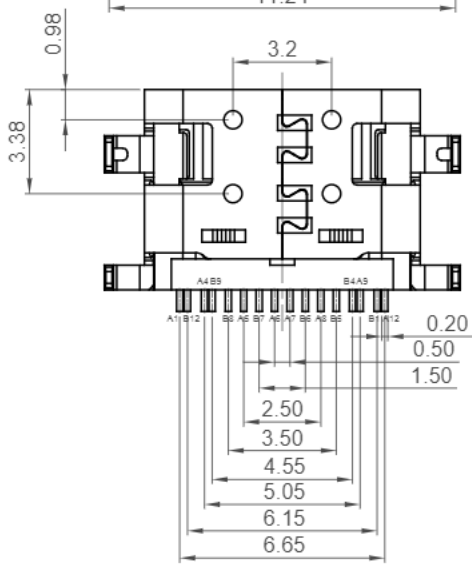
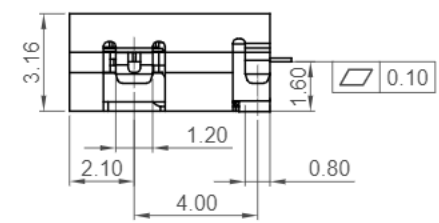
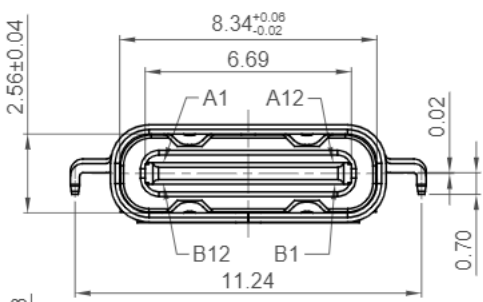
Ordering Grid



Pin	Signal	Mating Sequence	Pin	Signal	Mating Sequence
A1	GND	First	B12	GND	First
A4	Vbus	First	B9	Vbus	First
A5	CC1	Second	B8	SBU2	Second
A6	Dp1	Second	B7	Dn2	Second
A7	Dn1	Second	B6	Dp2	Second
A8	SBU1	Second	B5	CC2	Second
A9	Vbus	First	B4	Vbus	First
A12	GND	First	B1	GND	First
SHELL	GND		SHELL	GND	



Recommended PCB Layout
 Thickness=0.80mm
 As viewed from component side Tolerance:±0.05mm
 Solder Area Component Outline

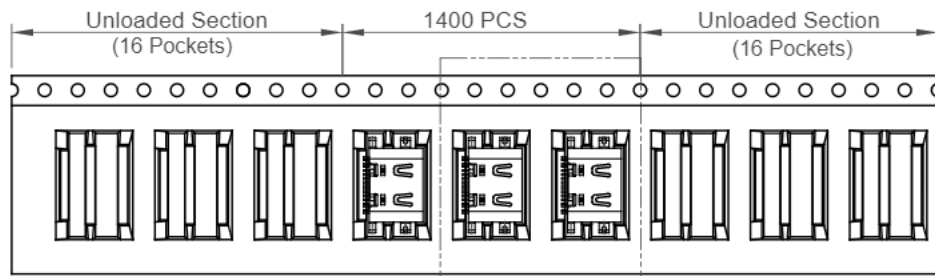


Plug and Receptacle Mating View

Part Number USB4510		Product Description USB Type C Receptacle for USB 2.0, SMT Type, Mid Mount, 1.6mm Offset	
Drawing Date 1st July 2021			
By CC	Detail Drawing Release	Tolerances (Except as Noted) Length: X.X ± 0.30 Angle: X.XX ± 0.20 X:XXX ± 0.10	Units: Metric (mm)
Revision Date	A1 08/05/23		RoHS COMPLIANT 2011/65/EU



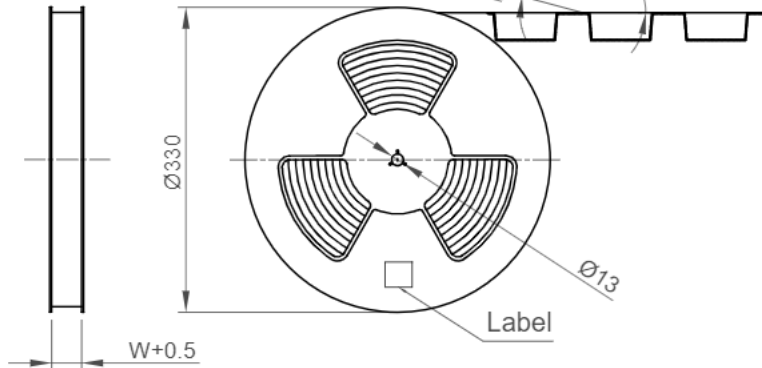
Not to Scale	Drawn By CC	Sheet No. 1/2
--------------	----------------	------------------



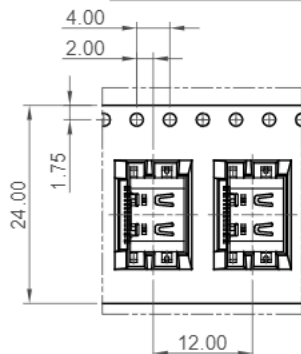
Direction of Unreeling

Detail E

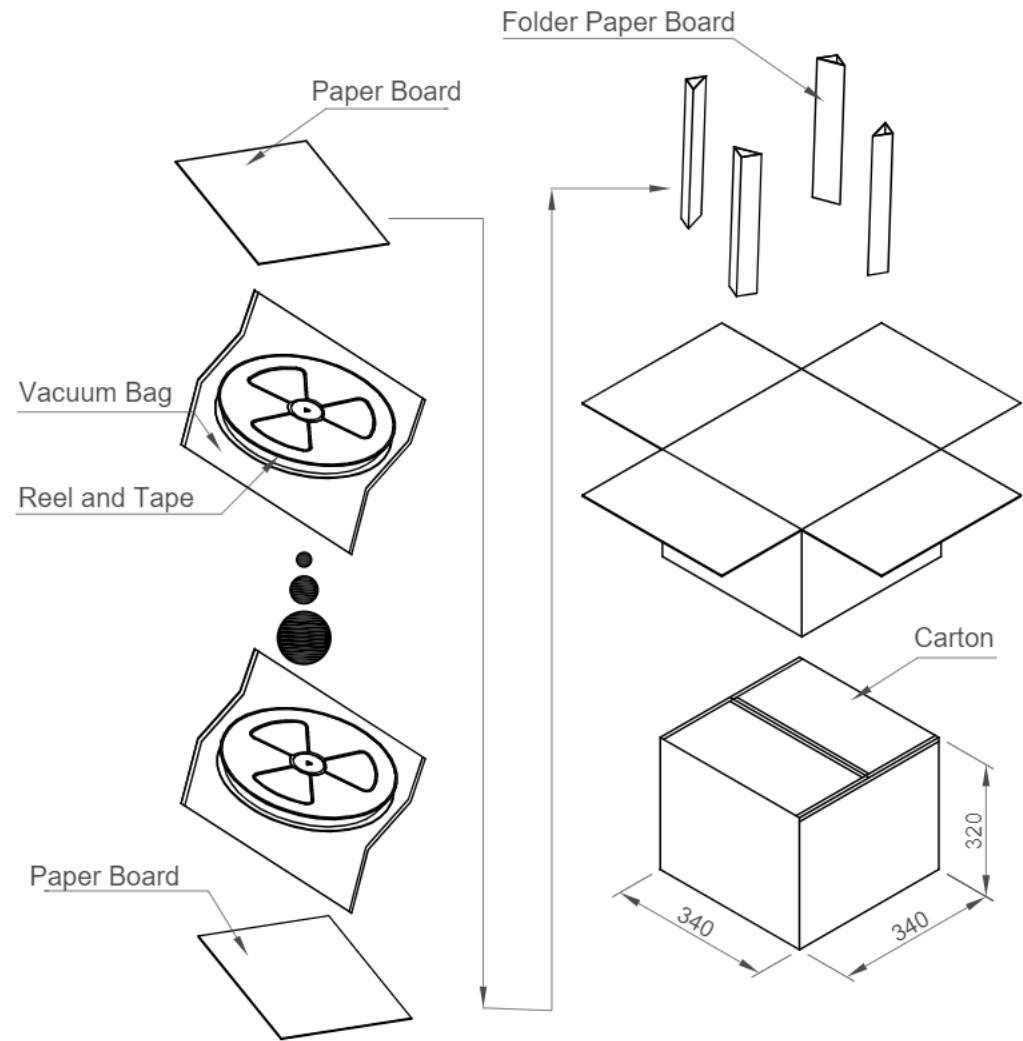
Peeling Angle 165°~180°



Direction of Unreeling



Detail: E



Pcs / Reel	Reels / Carton	Total Quantity
1400	10	14000 pcs

Part Number USB4510		Product Description USB Type C Receptacle for USB 2.0, SMT Type, Mid Mount, 1.6mm Offset	
Drawing Date 1st July 2021			
By CC	Drawing Release	Tolerances (Except as Noted) Length Angle	Units: Metric (mm)
Revision A1	Date 08/05/23		2nd Angle Projection



This drawing is confidential and copyright of Global Connector Technology, Ltd (GCT). This drawing must not be copied or disclosed without written consent. E & OE



Not to Scale Drawn By CC Sheet No. 2/2